

# CARGO VAN EQUIPMENT



# ADRIAN STEEL®

Cargo Management Solutions for Commercial Vehicles

**GM EXPRESS/SAVANA**

**FORD ECONOLINE**

**FORD TRANSIT**

**NISSAN NV CARGO**

**RAM PROMASTER**

**FORD TRANSIT CONNECT**

**GM CITY EXPRESS**

**NISSAN NV200**

**RAM PROMASTER CITY**



## TIME IS MONEY! GET ON THE ROAD WITH EVERYTHING YOU NEED TO GET BACK TO BUSINESS.

Adrian Steel has all the storage products you will need, and the distributor network to professionally install your interior and graphics to get you back serving your customers faster. Below is a guide to help you set up your work van with the equipment you need to get the job done. Build your own interior with our modular products, or start with a Work Ready Van Package and modify it to your specific needs.

## Table Of Contents

3 Plan Your Work Ready Van

4 Express/Econoline Partitions

5-7 Express/Econoline Ladder  
& Utility Racks

8 Express/Econoline Ladder Keeper  
& Liner Kits

9-15 Express/Econoline Trade Packages

16 Ford Transit Partitions

17 Ford Transit Shelving

18-19 Transit EZ Load Ladder Rack

20-21 Transit LoadsRite Ladder Rack

22-25 Transit Trade Packages

26 Nissan NV Cargo Partitions

27 NV LoadsRite Ladder Rack

28-29 NV EZ Load Ladder Rack

30-33 NV Cargo Trade Packages

34 RAM ProMaster Partitions and  
Shelving

35 RAM ProMaster LoadsRite  
Ladder Rack & Utility Rack

36-43 RAM ProMaster Trade  
Packages

44 Transit Connect Partitions

45 Transit Connect Ladder Racks

46-47 Transit Connect Trade Packages

48 City Express/NV200 Partitions  
& Ladder Racks

49-55 City Express/NV200 Trade  
Packages

56 RAM ProMaster City Partitions  
and Ladder Racks

57-61 RAM ProMaster City Trade  
Packages

62-63 ADseries Shelving

64 Adjustable Shelving

65 Welded Shelving

66 Cabinet Modules

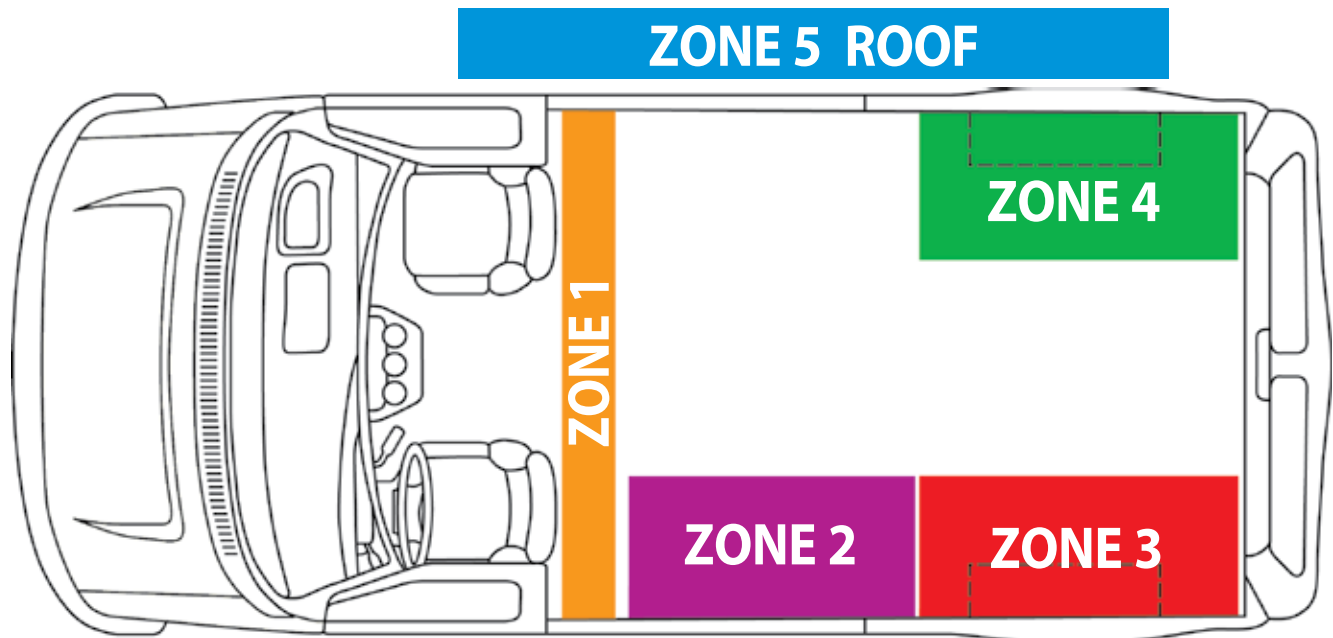
67 Drawer Modules

68 Storage Modules

69 Files

70 Floor Drawers

71-72 Van Accessories



## ZONE 1 PARTITION

- Choose partition style: appropriate to your vehicle. Do you want a hinged door? If available.
- Choose the standard or 3" setback wing kit and add accessories.
- I need:

## ZONES 2, 3, 4 CURBSIDE & STREETSIDE

- Use layout diagrams to determine the amount of space available.
- Choose from a variety of shelving units and modules that will best organize the tools and equipment you need to carry.
- Or, choose a trade specific, pre-designed interior with a partition.
- I need:

## ZONE 5 ROOF

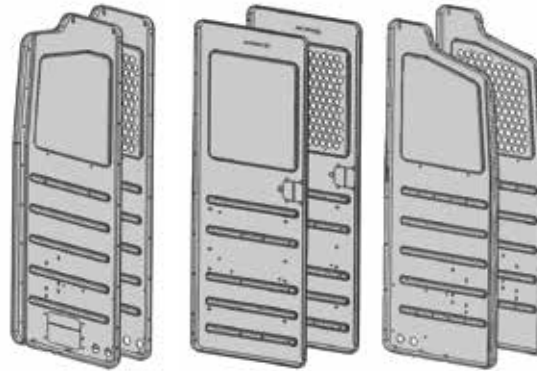
- What do you need to carry?
- Choose from LoadsRite, Grip-Lock, EZ Load and Utility racks.
- Add rack accessories including step ladder kits, ratchet straps, conduit carriers and more.
- I need:

## ADDITIONAL STORAGE

- Determine the space needed for specialty equipment.
- Add accessories to shelving and partition
- Hooks, drawers, files, screens, and more.
- I need:

**ADRIAN STEEL PARTITIONS KEEP CARGO WHERE IT BELONGS, IN THE CARGO AREA!**

Partitions are sold as panel kits and wing kits. Please see application chart below to confirm the appropriate panel kit and wing kit for your vehicle. Partition panel kits and wing kits include assembly and installation fasteners for base van trim level. Higher trim levels may require modifying trim or partition. Wing kits are available in a standard position or an extended position for more leg room.



**S1 Solid  
S2 Perforated Top**  
Panels mount behind driver seat.

**M1 Solid  
M2 Perforated Top**  
Fixed center panels can be hinged as key-locking doors

**C1 Solid  
C2 Perforated top**  
Panels mount behind passenger seat.

**Wing Kits**  
Available as standard setback or with extra 3" setback.

**S-M-C SERIES PARTITIONS FOR GM EXPRESS & FORD ECONOLINE VANS**

- Choose from solid or perforated panels.
- Partition mounts behind the B-pillar allowing for maximum cab comfort.
- Center M panels can be fixed or hinged with a key-locking door. All hinged door partitions come standard with two 6" hinges, bulb seal and a slam latch. These features reduce vibration noise.
- Partitions feature pre-drilled holes for adding accessories easily, and larger pass-through holes for routing wiring.
- Stamped steel panels reduce product weight without sacrificing strength.

Note: Extended wing kits reduce the amount of cargo space. Please confirm the interior layout of the van package to confirm that the extended wing kit has adequate room needed for installation. 3" extended wings not compatible with GM Pro/Access vans.

**NEW COMPOSITE PARTITION FOR GM EXPRESS**

Your mobile office is now more comfortable with an Adrian Steel composite partition. Sound deadening reduces driver distractions. Climate control reduces vehicle idle time for warm up and cool down. Generous leg room for less stress behind the wheel. The integrated steel frame provides the same level of performance that you are accustomed to from Adrian Steel.



- Available with or without a clear poly rear-view window.
- Add hooks along the integrated AD rail.
- Features a mounting location by the door for a fire extinguisher (not included.)



**NEW**

MODEL	DESCRIPTION	GM WING KIT	ECONOLINE WING KIT
<b>FIXED CENTER PANEL</b>			
S1M1C1FSV	Solid panels	WKC1FSVGM WKC1FSVGM3	WKC1FSVFD WKC1FSVFD3
S1M2C1FSV	Center panel perforated	WKC1FSVGM WKC1FSVGM3	WKC1FSVFD WKC1FSVFD3
S1M2C2FSV	Center and Curb panels perforated	WKC2FSVGM WKC2FSVGM3	WKC2FSVFD WKC2FSVFD3
S2M2C2FSV	All panels perforated	WKC2FSVGM WKC2FSVGM3	WKC2FSVFD WKC2FSVFD3
X1FSV	X Series Partition	WKX1FSVGM WKX1FSVGM3	WKX1FSVFD WKX1FSVFD3
<b>HINGED CENTER PANEL "DOOR"</b>			
S1M1HC1FSV	Solid panels	WKC1FSVGM WKC1FSVGM3	WKC1FSVFD WKC1FSVFD3
S1M2HC1FSV	Center panel perforated	WKC1FSVGM WKC1FSVGM3	WKC1FSVFD WKC1FSVFD3
S1M2HC2FSV	Center and Curb panels perforated	WKC2FSVGM WKC2FSVGM3	WKC2FSVFD WKC2FSVFD3
S2M2HC2FSV	All panels perforated	WKC2FSVGM WKC2FSVGM3	WKC2FSVFD WKC2FSVFD3
PARGM	Composite Partition with Window		
PARGM-NW	Composite Partition without Window		

# FINALLY!

## A LADDER RACK DESIGNED AROUND YOU... NOT YOUR VEHICLE.

Introducing the All-New Drop-Down Ladder Rack from Adrian Steel!



The new, simpler design makes it easier to install and adjust. The aluminum build of the rack reduces corrosion and keeps your ladder rack looking like new. It will accommodate a variety of ladders and safely secure them for transport.

Technicians that are 5'-5" or taller can safely load and unload the ladder because of the lower, more ergonomic load and unload height. Durability testing ensures that the rack will stand the test of time and perform as it should for many years.



- DDL61GM** - Single, GM FSV
- DDL63GM** - Double, GM FSV
- DDL64GM** - Drop-Down & Grip-Lock Combo, GM FSV

Technicians that are 5'-5" or taller can easily load and unload the rack without climbing up on anything.

**EXCLUSIVE!**  
With the turn of a knob, you can quickly adjust the rack to fit a wide variety of ladders.

**NEW**



Standard rack accommodates 28' extension ladder and 10' step ladder – short step ladders will need optional step ladder kit and up to 32' extension ladder with extension ladder kit.

## ALL-NEW & COMPLETELY REDESIGNED ALUMINUM GRIP-LOCK RACK

Off-the-Roof, Angled Design Offers a Lower Reach Height than Traditional Grip-Lock Racks.

The innovative "tilt angle" design offers a lower reach height than traditional grip lock racks.



**NEW**

Technicians that are 5'-7" or taller can easily load and unload the rack without climbing up on anything.

Adrian Steel's completely redesigned grip-lock style ladder rack is designed to make your job easier when loading and unloading your ladders. The innovative "tilt angle" design offers a lower reach height than traditional grip lock style racks. Technicians that are 5'7" or taller can safely load and unload ladders with out having to climb up on something.

The clamping mechanism secures and protects ladders when they are stowed or in transit. A padlock can be added for extra security. The natural aluminum finish reduces corrosion and helps preserve the integrity of the rack.

*The all-new Grip-Lock Ladder Rack is an economical option that will look great and perform effortlessly for many years on your van!*



61-GLGM - Single, GM FSV  
63-GLGM - Double, GM FSV

### 2B STEEL UTILITY RACK FOR EXPRESS & ECONOLINE

- The new design has eliminated much of the welding. This feature **reduces corrosion up to 80% more compared to similar goal-post style racks!**
- The uprights are fully plastisoled to protect against wear and reduce ladder fatigue.
- Uprights feature a number of attachment points for securing cargo straps.
- Designed to fit GM Express and Ford Econoline full size vans.
- Weather resistant cross bar is not cut to fit or perforated in any way improving longevity of the rack.
- Available in our durable black or white powder coat paint.
- Optional center bar supports shorter lengths and provides center support.

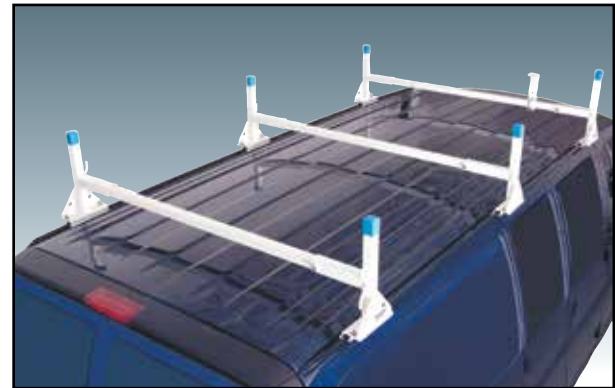
MODEL	DESCRIPTION
1BRS-B	Steel One Bar Mid Cross Beam Assembly/Black
1BRS-W	Steel One Bar Mid Cross Beam Assembly/Black
2BRS-B	Steel Two Bar Black
2BRS-W	Steel Two Bar White
SSK-BS	Side Stop Kit Black
SSK-WS	Side Stop Kit White



### 2B ALUMINUM UTILITY RACK FOR EXPRESS & ECONOLINE

- Extra wide mount foot and welded tie hooks
- No drilling or cutting required to install prevents exposing metal to the weather.
- Available in our durable black or white powder coat paint.
- Upright caps protect ladders when loading and unloading.
- Optional center bar supports shorter lengths and provides center support.
- Designed to fit GM Express and Ford Econoline full size vans.

MODEL	DESCRIPTION
1BAR-B	Aluminum One Bar Mid Cross Beam Assembly/Black
1BAR-W	Aluminum One Bar Mid Cross Beam Assembly/Black
2BAR-B	Aluminum Two Bar Black
2BAR-W	Aluminum Two Bar White
SSK-BA	Side Stop Kit Black
SSK-WA	Side Stop Kit White



### PERIMETER RACK FOR EXPRESS & ECONOLINE



The VP1 Cargo Rack is designed to fit GM Express and Ford Econoline. Gutter mounted design requires no drilling. Crossmembers spaced from front bar are 52", 113" and 130" to slantdown rear bar.

- VPE1 Optional Rack Extension (for VP1 only)
- Extend front of rack 30" with additional crossmember for extended long wheelbase full-size vans only.
- Maximize carrying capacity of van.
- Frame constructed from 2" x 1" 13 GA square tube.
- All racks include rope hooks for easy tie-down.
- Slantdown rear section eases loading.
- Powder coat paint finish for lasting protection.

MODEL	DESCRIPTION
VP1	Perimeter Cargo Rack-fits Express/Savana
VPE1	Rack Extension-fits VP1
CC17	Center Cross Bar-fits VP1
RR5	Cargo Rack Roller-fits VP1

VAN ACCESSORIES	
AS12	Auxiliary Bumper Step
BS6VP	Beacon/Stroke Light Stand
LS3VP	Ladder Stop
RS4	Ratchet Strap
SH12	Step Handle
80-1	10'6" Aluminum Conduit Carrier
80-2	12'6" Aluminum Conduit Carrier

### STORING LADDERS INSIDE YOUR WORK VAN IS EASY AS 1, 2, 3, WITH THE LADDER KEEPER.

Designed to be loaded from outside the vehicle, the Ladder Keeper features a spring-loaded clamp that holds the ladder securely in place. Just set the top of the ladder in the front clamp bracket and push it forward until the bottom of the ladder sits in the rear clamp bracket. Can be mounted to the ceiling or wall of the vehicle to keep ladders inside and out of the elements.



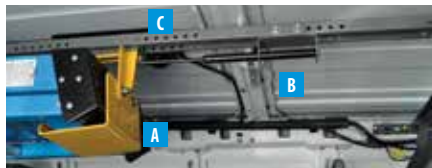
**1** Simply press ladder inward to release rear ladder rung from the rear clamp bracket.



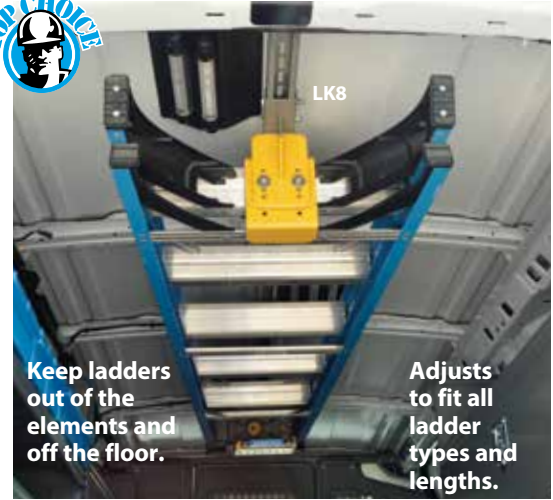
**2** Walk the ladder back as the front clamp bracket glides on the track.



**3** Remove front rung from the front clamp bracket and you're ready to go to the job site!



- A** Plastic coated clamps protect ladder rungs
- B** Gas spring compresses ladder for quiet and secure transportation
- C** Extruded track makes loading and unloading simple



**Ladder Keeper** includes all parts needed to carry up to a 6' ladder in a regular wheelbase van and an 8' ladder in a long wheelbase van. To accommodate larger vehicles or ladders, you will require the LKX extension that provides 4' of additional track.

- LK8** - Ladder Keeper Interior Ladder Rack
- LKX** - Four foot Extension

## Liner Kits

### LINER KITS PROTECT YOUR VAN FROM THE INSIDE

- Liner panels are molded to conform to the shape of the van walls and run from floor to ceiling.
- The GM kit includes full length E-track and a hinged-door partition.
- The FORD kit features seamless, one-piece street and curbside panels, and is compatible with Adrian Steel shelving.
- The FORD Liner kit is compatible with Adrian Steel shelving.
- Optional E-track and straps available for the FORD kit.

**3056G** fits 2014-older Express/Savana LWB

**3057G** fits 2014-older Express/Savana XLWB

**5384G** fits 2015-on Express/Savana LWB

**5384GX** fits 2015-on Express/Savana XLWB

**FDRWLN1** fits Ford Econoline LWB

**FDXWLN1** fits Ford Econoline XLWB

**39063** E-track and straps for Ford Econoline LWB

**39335** E-track and straps for Ford Econoline XLWB





**STORAGE SOLUTIONS THAT STAND UP TO THE JOB.**

General Contractor packages feature flexibility with adjustable shelving and drop in dividers that can be configured for what you need today and adjusted for what you need down the road. Complete the package with a ladder or cargo rack, a driver data file to organize your paperwork, and a graphic to turn your vehicle into a billboard for your business.

**GENERAL SERVICE PACKAGE**

4317G GM FSV long wheelbase

4317GX GM FSV x-long wheelbase

4317F Ford Econoline long wheelbase

4317FX Ford Econoline x-long wheelbase

Item	Model	Description	Qty
1	AD44FP	ADseries 44" shelf unit	3
2	RKFSVLWB	Rail Kit for AD series	1
3	DV14C8	Divider 8 pack	1
4	919	Three Drawer Combo	1
5	S1M2HC2FSV	Partition	1
6	UH50	Utility Hook	2
7	DK4208	8" Door Kit	2
8	TA1	Hook Bar	1
9	19	Two Drawer Medium	1
10	DC6	Drawer Component - 6"	1
11	BRK14EPS	End Panel Bracket	2
12	WKC2FSVGM	Partition Wing Kit GM	1
	WKC2FSVFD	Partition Wing Kit FORD	1



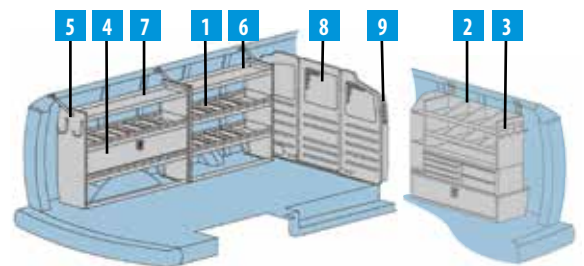
**All Trade Packages include a steel cargo partition.**

**GENERAL CONTRACTOR PACKAGE**

2256G GM Full-Size Long Wheelbase Vans

2256F Ford Econoline Long Wheelbase Vans

Item	Model	Description	Qty.
1	DV14	14" Divider	14
2	MD507	Drawer Cabinet Rack Module (includes: #18, #43, #40, #9, #19)	1
3	TA1	Hook Bar	1
4	DK552	Door Kit	1
5	UH50	Hook 5"	2
6	HD-42FP	HD Adjustable Closed End Shelving Overall Size: 46" H, 42" W, 14" D	1
7	HD-52FP	HD Adjustable Closed End Shelving Overall Size: 46" H, 52" W, 14" D	1
8	S1M2C2FSV	Partition	1
9	WKC2FSVGM	Partition Wing Kit GM	1
	WKC2FSVFD	Partition Wing Kit FORD	1

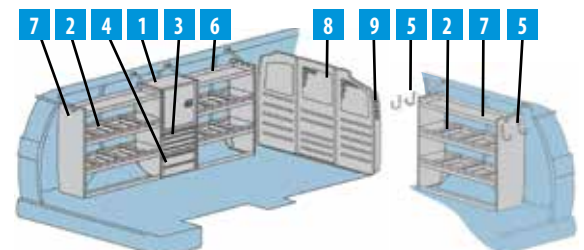


**GENERAL CONTRACTOR PACKAGE**

2257G GM Full-Size Long Wheelbase Vans

2257F Ford Econoline Long Wheelbase Vans

Item	Model	Description	Qty.
1	12	Open Side Shelf Cabinet	1
2	DV14	14" Divider	16
3	9	Four Drawer Shallow	1
4	19	Two Drawer Medium	1
5	UH50	Hook 5"	4
6	HD-32FP	Heavy-Duty Adjustable Closed End Shelving Overall size: 46" H, 32" W, 14" D	1
7	HD-42FP	Heavy-Duty Adjustable Closed End Shelving Overall size: 46" H, 42" W, 14" D	2
8	S1M2C2FSV	Partition	1
9	WKC2FSVGM	Partition Wing Kit GM	1
	WKC2FSVFD	Partition Wing Kit FORD	1



**MAXIMIZE YOUR CARGO VAN STORAGE VOLUME WITH 44 SERIES WELDED SHELVING.**

**GENERAL CONTRACTOR PACKAGE**

4135G GM Full-Size Long Wheelbase Vans

4135F Ford Econoline Long Wheelbase Vans



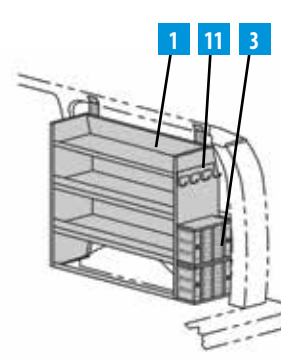
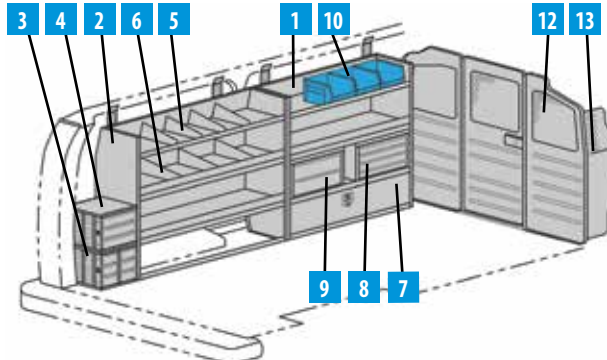
Item	Qty	Model	Description
1	(1)	4442	42" Welded Utility Rack
2	(1)	4450	50" Welded Utility Rack
3	(1)	4432	32" Welded Utility Rack
4	(1)	DK550	Door Kit
5	(1)	DV44U4	Dividers
6	(2)	TA1	Hook Bar
7	(1)	CL1446R	Cabinet Locker Tall-Door
8	(1)	9	4 Drawer Shallow

Item	Qty	Model	Description
9	(1)	19	2 Drawer Medium
10	(1)	DC12	Drawer Component - 12"
11	(3)	DC6	Drawer Component - 6"
12	(1)	DK544	Door Kit
13	(3)	28	Plastic Bins
14	(1)	S1M2HC2FSV	Partition (not pictured)
15	(1)	WKC2FSVGM	GM Partition Wing Kit (not pictured)
	(1)	WKC2FSVFD	FORD Partition Wing Kit (not pictured)

**INDUSTRIAL SERVICES PACKAGE**

4136G GM Full-Size Long Wheelbase Vans

4136F Ford Econoline Long Wheelbase Vans



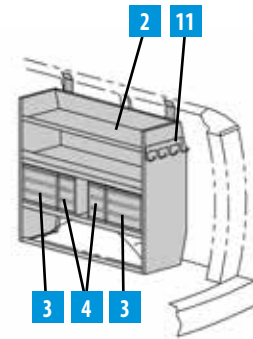
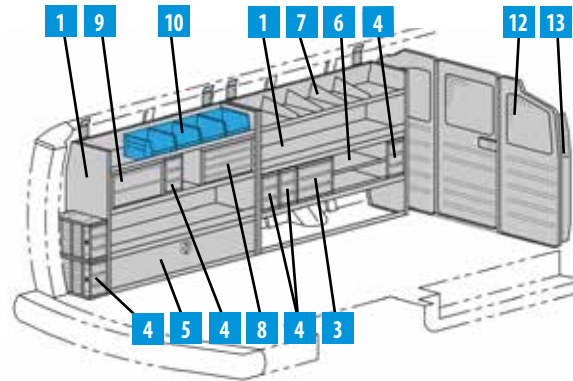
Item	Qty	Model	Description
1	(2)	4442	42" Welded Utility Rack
2	(1)	4450	50" Welded Utility Rack
3	(4)	DC6	Drawer Component - 6"
4	(1)	DC12	Drawer Component - 12"
5	(1)	DV44U4	Dividers
6	(3)	DV44L2	Dividers
7	(1)	DK544	Door Kit

Item	Qty	Model	Description
8	(1)	9	4 Drawer Shallow
9	(1)	19	2 Drawer Medium
10	(3)	28	Plastic Bins
11	(1)	TA1	Hook Bar
12	(1)	S1M2HC2FSV	Partition
13	(1)	WKC2FSVGM	GM Partition Wing Kit
	(1)	WKC2FSVFD	FORD Partition Wing Kit

**GENERAL STORAGE PACKAGE**

4138G GM Full-Size Long Wheelbase Vans

4138F Ford Econoline Long Wheelbase Vans



Item	Qty	Model	Description
1	(2)	4450	50" Welded Utility Rack
2	(1)	4442	42" Welded Utility Rack
3	(3)	DC12	Drawer Component - 12"
4	(8)	DC6	Drawer Component - 6"
5	(1)	DK550	Door Kit
6	(2)	SF11218DC	18" wide DC shelf
7	(1)	DV44U4	Dividers

Item	Qty	Model	Description
8	(1)	9	4 Drawer Shallow
9	(1)	19	2 Drawer Medium
10	(4)	28	Plastic Bins
11	(1)	TA1	Hook Bar
12	(1)	S1M2HC2FSV	Partition
13	(1)	WKC2FSVGM	GM Partition Wing Kit
	(1)	WKC2FSVFD	FORD Partition Wing Kit

**STORAGE SYSTEMS THAT ARE AS FLEXIBLE AS YOU ARE.**

Is there anything that you don't have in the back of your van? For all the fittings, pipe and tools that you need to transport, you need an Adrian Steel Work Ready van with the trade specific equipment you'll use to do the job.

**PLUMBING, HEATING & A/C REPAIR PACKAGE**

**4318G** GM FSV long wheelbase  
**4318GX** GM FSV x-long wheelbase

**4318F** Ford Econoline long wheelbase  
**4318FX** Ford Econoline x-long wheelbase

Item	Model	Description	Qty
1	AD44FP	ADseries 44" shelf unit	3
2	RKFSVLWB	Rail Kit for AD series	1
3	DV14C8	Divider 8 pack	1
4	919	Three Drawer Combo	1
5	S1M2HC2FSV	Partition	1
6	WTR230150	Welded Tank Rack	1
7	19	Two Drawer Medium	2
8	DC6	Drawer Component - 6"	3
9	DC12	Drawer Component - 12"	1
10	DK4208	8" Door Kit	2
11	TA1	Hook Bar	1
12	VMA36	Vice Mount Assembly	1
13	BRK14EPS	End Panel Bracket	1
14	RKAWTR	Tank Holder Adapter	1
15	WKC2FSVGM	Partition Wing Kit GM	1
	WKC2FSVFD	Partition Wing Kit FORD	1



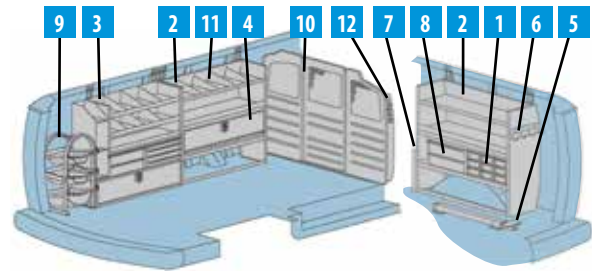
All Trade Packages include a steel cargo partition.

**PHVAC PACKAGE**

**2251G** GM Full-Size Long Wheelbase Vans

**2251F** Ford Econoline Long Wheelbase Vans

Item	Model	Description	Qty.
1	DS36012H	Drawer System	1
2	4442	Welded Shelf Rack	2
3	MD507	Drawer Cabinet Rack Module (includes: #18, #43, #40, #9, #19)	1
4	DK544	Door Kit	1
5	VMA36	Vise Mount Assembly	1
6	TA1	Hook Bar	1
7	TH50	50-lb. Tank Holder	1
8	19	Two Drawer Medium	1
9	WTR230150	Three Tank Rack	1
10	S1M2C2FSV	Partition	1
11	DV44U4	Dividers	1
12	WKC2FSVGM	Partition Wing Kit GM	1
	WKC2FSVFD	Partition Wing Kit FORD	1

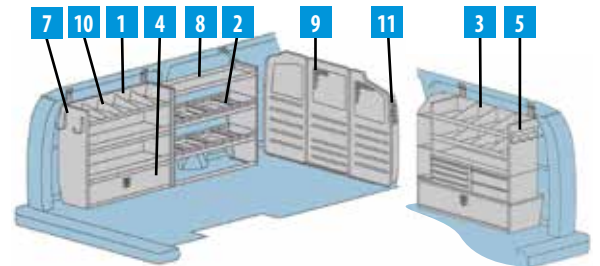


**PHVAC PACKAGE**

**2261G** GM Full-Size Long Wheelbase Vans

**2261F** Ford Econoline Long Wheelbase Vans

Item	Model	Description	Qty.
1	4442	Welded Shelf Rack	1
2	DV14	14" Divider	6
3	MD507	Drawer Cabinet Rack Module	1
4	DK544	Door Kit	1
5	TA1	Hook Bar	1
6	DTWL21	Door Tray with Lid and Latches (not shown)	2
7	UH50	Hook 5"	2
8	HD-42FP	Heavy-Duty Adjustable Closed End Shelving Overall Size:46" H, 42" W, 14" D	1
9	S1M2C2FSV	Partition	1
10	DV44U4	Dividers	1
11	WKC2FSVGM	Partition Wing Kit GM	1
	WKC2FSVFD	Partition Wing Kit FORD	1



**IF IT IS YOUR JOB TO KEEP UP WITH THE LATEST TECHNOLOGY, IT'S OUR JOB TO KEEP THAT TECHNOLOGY ORGANIZED AND EASILY ACCESSIBLE!**

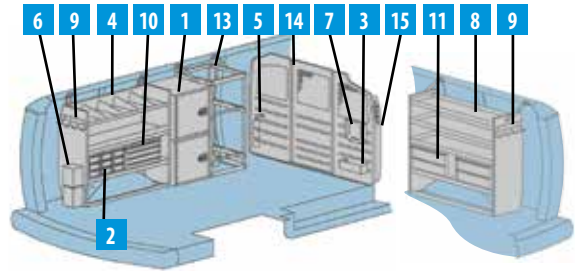
Cable TV interiors are designed specifically for service technicians who need to make fast and efficient service and installation calls. Divided shelving and composite drawers are perfect for keeping connectors, adapters, wall plates, cables, splitters and every other small component organized and in its place.

**CABLE TV PACKAGE**

Item	Model	Description	Qty.
1	1	Adjustable Shelf Cabinet	2
2	DS36012H	Nine Drawer System	1
3	PA9	First Aid Tray	1
4	4442	Welded Shelf Rack	1
5	PA8	Fire Extinguisher	1
6	PA7	Reflector Flare Kit	1
7	TA2	Hard Hat Holder	1
8	50-42	KD Shelf Rack	1
9	TA1	Hook Bar	2
10	9	Four Drawer Shallow	1
11	19	Two Drawer Medium	2
12	DDF12	Data File (not shown)	1
13	KDRH2	Cable Reel Holder	1
14	S1M2C2FSV	Partition	1
15	DV44U4	Dividers	1
15	WKC2FSVGM	Partition Wing Kit GM	1
	WKC2FSVFD	Partition Wing Kit FORD	1

**2258G GM Full-Size Long Wheelbase Vans**

**2258F Ford Econoline Long Wheelbase Vans**

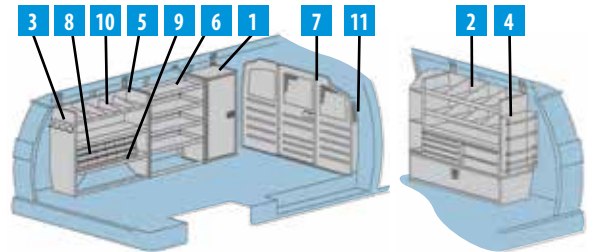


**CABLE TV PACKAGE**

Item	Model	Description	Qty.
1	CL1446R	Cabinet Locker Tall-Door	1
2	MD507	Drawer Rack Module	1
3	TA1	Hook Bar	1
4	WRH5	5-Bar Wire Reel Holder	1
5	4442	Welded Shelf Rack	1
6	50-32	KD Shelf Rack	1
7	S1M2HC2FSV	Partition	1
8	36	18-Drawer Unit	1
9	39	Riser	1
10	DV44U4	Dividers	1
11	WKC2FSVGM	Partition Wing Kit GM	1
	WKC2FSVFD	Partition Wing Kit FORD	1

**3230G GM Full-Size Long Wheelbase Vans**

**3230F Ford Econoline Long Wheelbase Vans**



**All Trade Packages include a steel cargo partition.**

**Organize connectors, splitters, adapters and many other small parts in an SPT Tote and tray system. Removable trays have small, divided compartments for easily identifying and choosing what you need to take to the jobsite.**

### KEEP EVERYTHING IN IT'S PLACE AND EASILY ACCESSIBLE.

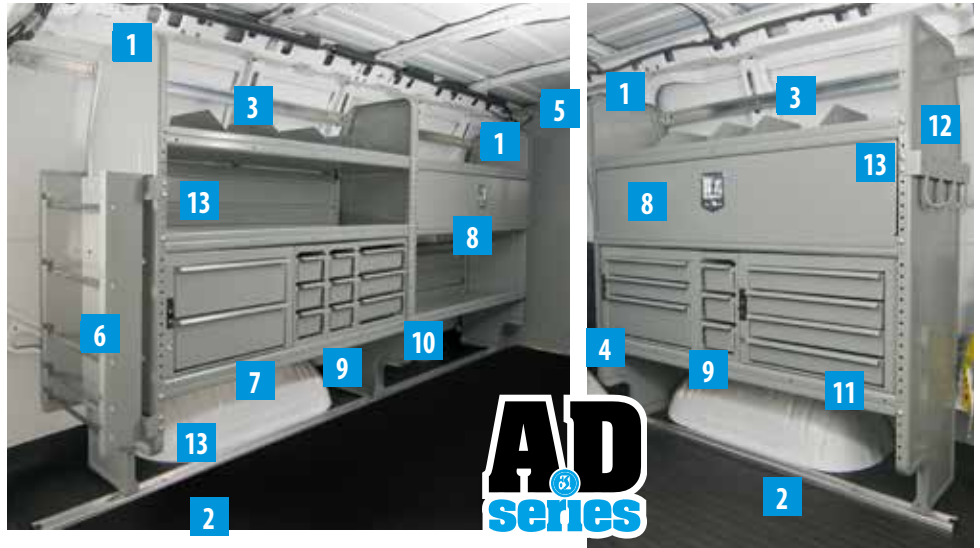
Time is money, and no one wants to pay you to dig through your van to find the connectors, junction boxes or tools you need to do the job. You don't want to wait either, so get your interior, ladder rack and graphics wrap all done at one place.

### ELECTRICAL & GAS APPLIANCE REPAIR PACKAGE

4319G GM FSV long wheelbase  
4319GX GM FSV x-long wheelbase

4319F Ford Econoline long wheelbase  
4319FX Ford Econoline x-long wheelbase

Item Model	Description	Qty
1 AD44FP	ADseries 44" shelf unit	3
2 RKF5VLWB	Rail Kit for AD series	1
3 DV14C8	Divider 8 pack	1
4 919	Three Drawer Combo	1
5 S1M2HC2FSV	Partition	1
6 WRH5	Wire Reel Holder	1
7 19	Two Drawer Medium	1
8 DK4208	8" Door Kit	2
9 DC6	Drawer Component - 6"	3
10 DC12	Drawer Component - 12"	1
11 9	Four Drawer Shallow	1
12 TA1	Hook Bar	1
13 BRK14EPS	End Panel Bracket	3
14 WKC2FSVGM	Partition Wing Kit GM	1
WKC2FSVFD	Partition Wing Kit FORD	1

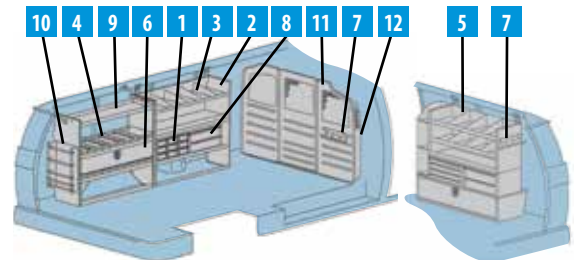


### ELECTRICAL CONTRACTOR PACKAGE

2252G GM Full-Size Long Wheelbase Vans

2252F Ford Econoline Long Wheelbase Vans

Item	Model	Description	Qty.
1	DS36012H	Nine Drawer System	1
2	4442	Welded Shelf Rack	1
3	DV44U4	Dividers	1
4	DV14	14" Divider	8
5	MD507	Drawer Cabinet Rack Module (includes: #18, #43, #40, #9, #19)	1
6	DK542	Door Kit	1
7	TA1	Hook Bar	2
8	19	Two Drawer Medium	1
9	HD-42FP	Heavy-Duty Adjustable KD Shelving Overall Size: 46" H, 42" W, 14" D	1
10	WRH5	5-Bar Wire Reel Holder	1
11	S1M2C2FSV	Partition	1
12	WKC2FSVGM	Partition Wing Kit GM	1
	WKC2FSVFD	Partition Wing Kit FORD	1

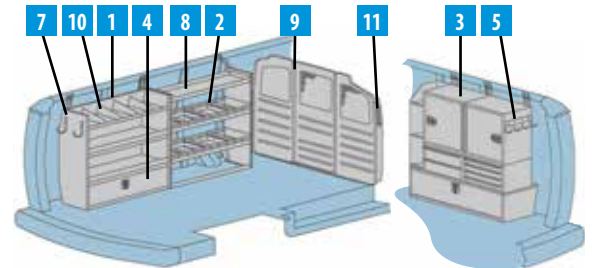


### ELECTRICAL CONTRACTOR PACKAGE

2262G GM Full-Size Long Wheelbase Vans

2262F Ford Econoline Long Wheelbase Vans

Item	Model	Description	Qty.
1	4442	Welded Shelf Rack	1
2	DV14	14" Dividers	6
3	MD506	Drawer Cabinet Module (includes: 2-#12, #43, #40, #9, #19)	1
4	DK544	Door Kit	1
5	TA1	Hook Bar	1
6	DTW21	Door Tray with Lid and Latches (not shown)	2
7	UH50	Hook 5"	2
8	HD-42FP	Heavy-Duty Adjustable KD Shelving Overall Size: 46" H, 42" W, 14" D	1
9	S1M2C2FSV	Partition	1
10	DV44U4	Dividers	1
11	WKC2FSVGM	Partition Wing Kit GM	1
	WKC2FSVFD	Partition Wing Kit FORD	1

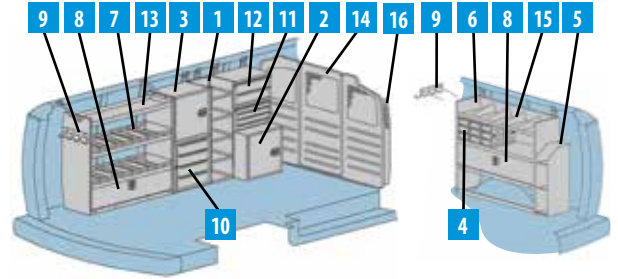


**THE KEY TO BEING A MOBILE LOCKSMITH IS HAVING EVERYTHING YOU NEED WHEREEVER YOU ARE.**

Whether you are helping stranded motorists get back into their vehicle or installing a home security system, having everything needed for the job will keep your work day or night operating efficiently. Both Adrian's Alarm and Locksmith packages feature ample small parts storage and plenty of lockable storage space.

**ALARM PACKAGE**

Item	Model	Description	Qty.
1	33	KD Shelf Rack	1
2	1	Adjustable Shelf Cabinet	1
3	12	Open Side Shelf Cabinet	1
4	DC6	Drawer Component 6"	3
5	43	Catalog File	1
6	4442	Welded Shelf Rack	1
7	DV14	14" Dividers	8
8	DK544	Door Kit	2
9	TA1	Hook Bar	2
10	2	Four Drawer Medium	1
11	9	Four Drawer Shallow	1
12	19	Two Drawer Medium	1
13	HD-42FP	Closed End Adjustable KD Shelving Over all size: 46"H, 42" W, 14" D	1
14	S1M2C2FSV	Partition	1
15	DV44U4	Dividers	1
16	WKC2FSVGM	Partition Wing Kit GM	1
	WKC2FSVFD	Partition Wing Kit FORD	1

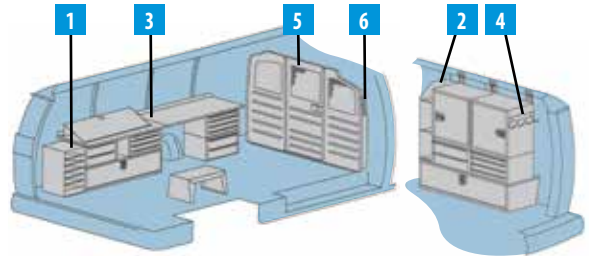


**2253G GM Full-Size Long Wheelbase Vans**

**2253F Ford Econoline Long Wheelbase Vans**

**LOCKSMITH PACKAGE**

Item	Model	Description	Qty.
1	17A	Catalog File	1
2	MD506	Drawer Cabinet Module	1
3	MD608	Workbench Module (includes: 2-#54, #40, 2-#9, 2-#19, #14, KMB36)	1
4	TA1	Hook Bar	1
5	S1M2HC2FSV	Partition	1
6	WKC2FSVGM	Partition Wing Kit GM	1
	WKC2FSVFD	Partition Wing Kit FORD	1



**2255G GM Full-Size Long Wheelbase Vans**

**2255F Ford Econoline Long Wheelbase Vans**



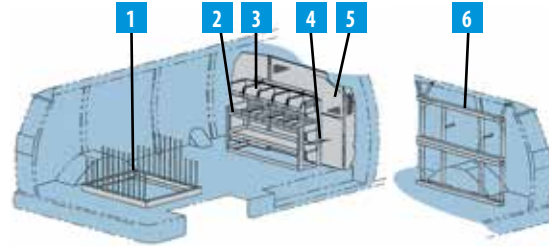
**Key Machine Base** holds key cutting machines at a 25-degree slope towards the operator for easy cutting. Mounts to No. 54 Workbench. Two sizes available to hold one or two machines.  
**KMB36** - 36" Key Machine Base  
**KMB18** - 18" Key Machine Base



**25° slope for easy cutting**



THE ONLY VAN INTERIOR DESIGNED AROUND THE AUTOMOTIVE GLASS REPAIR PROFESSIONAL. FEATURING BURCO GLASS RACKS.



### AUTO GLASS INTERIOR PACKAGE

4145G GM Full-Size Long Wheelbase Vans  
4145F Ford Econoline Long Wheelbase Vans

Item	Model	Description	Qty.
1	45047	S-111524B Burco Auto Glass Rack	1
2	AGSS24	Auto Glass Storage Station	1
3	28	Plastic Bins	5
4	AGSCH2	Suction Cup Holder	1
5	X1FSV	X1 Partition	1
6	AGTW4	Auto Glass Trim Weld Storage	1
7	WKX1FSVGM	Partition Wing Kit GM	1
	WKX1FSVFD	Partition Wing Kit FORD	1

## Trade Packages

### 2940G GENERAL SERVICE PACKAGE

GM Pro/Access Full-Size Long Wheelbase Vans

Item	Model	Description	Qty.
1	24	Plastic Bin 15" X 8" X 7"	10
2	DK552A	Door Kit	1
3	AP6	KD Shelf Unit	1
4	919	Three Drawer Combo	1
5	MB121	Strside Frnt Sill Plate 44"	1
6	MB122	Strside Rear Sill Plate 52"	1
7	MB123	Crbside Sill Plate 42"	1
8	AP1	KD Shelf Unit	1
9	AP2	KD Shelf Unit	1
10	S1M2HC2FSV	Partition	1
11	WKC2FSVGM	Partition Wing Kit	1

### 2942G HVAC INTERIOR PACKAGE

GM Pro/Access Full-Size Long Wheelbase Vans



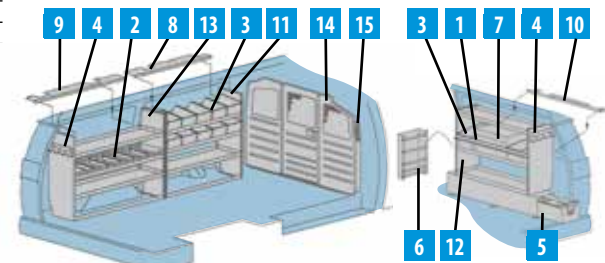
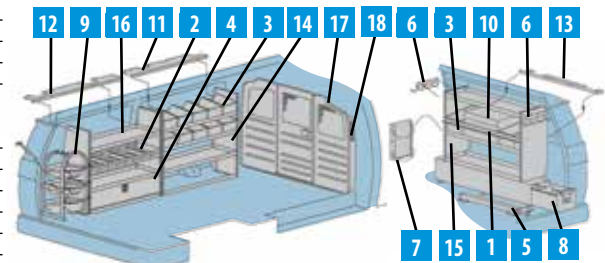
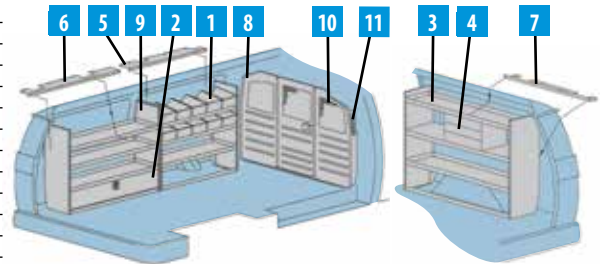
Item	Model	Description	Qty.
1	VM42	Floor Rail 42"	1
2	DV14	14" Divider	4
3	24	Plastic Bin 15" X 8" X 7"	12
4	DK544	Door Kit	1
5	VMA 36	Vise Mount Assembly	1
6	TA1	Hook Bar	2
7	TH50	50-lb. Tank Holder	1
8	SA-10	Single Wide Deep Stow-All	1
9	WTR230150	Three Tank Rack	1
10	919	Three Drawer Combo	1
11	MB121	Strside Frnt Sill Plate 44"	1
12	MB122	Strside Rear Sill Plate 52"	1
13	MB123	Crbside Sill Plate 42"	1
14	AP1	KD Shelf Unit	1
15	AP3	KD Shelf Unit	1
16	AP 5	KD Shelf Unit	1
17	S1M2HC2FSV	Partition	1
18	WKC2FSVGM	Partition Wing Kit	1

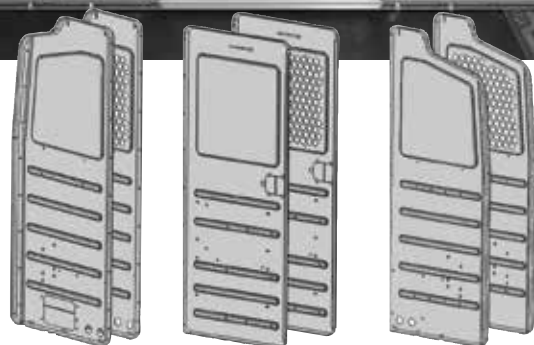
### 2941G ELECTRIC & GAS REPAIR PACKAGE

GM Pro/Access Full-Size Long Wheelbase Vans

Item	Model	Description	Qty.
1	VM42	Floor Rail 42"	1
2	DV14	14" Divider	5
3	24	Plastic Bin 15" X 8" X 7"	12
4	TA1	Hook Bar	2
5	SA-10	Single Wide Deep Stow-All	1
6	WRH5	5-Bar Wire Reel Holder	1
7	919	Three Drawer Combo	1
8	MB121	Strside Frnt Sill Plate 44"	1
9	MB122	Strside Rear Sill Plate 52"	1
10	MB123	Crbside Sill Plate 42"	1
11	AP1	KD Shelf Unit	1
12	AP3	KD Shelf Unit	1
13	AP4	KD Shelf Unit	1
14	S1M2HC2FSV	Partition	1
15	WKC2FSVGM	Partition Wing Kit	1

## GM Express Access/Savana Pro





**S1 - Solid**  
**S2 - Perforated**  
Mounts behind driver seat.

**M1 - Solid**  
**M2 - Perforated**  
Center panel. Also available as a hinged door.

**C1 - Solid**  
**C2 - Perforated**  
Mounts behind passenger seat.



**MEDIUM ROOF PARTITION**



**HIGH ROOF PARTITION**

**S-M-C SERIES PARTITIONS FOR TRANSIT VAN**

- Choose from solid or perforated panels.
- Partition mounts behind the B-pillar allowing for maximum cab comfort.
- Compliant with Transit’s safety features.
- Center M panels can be fixed or hinged with a key-locking door. All hinged door partitions come standard with two 6” hinges, bulb seal and a slam latch. These features reduce vibration noise.
- The MEDIUM and HIGH ROOF Transit partition door has a 60” opening height.
- Partitions feature pre-drilled holes for adding accessories easily, and larger pass-through holes for routing wiring.
- The LOW ROOF Transit partition features a robust roll-bar design that allows it to be compliant with the Transit’s safety features. It does not interfere with the side-curtain airbag system or seatbelts.
- Stamped steel panels on the LOW ROOF Transit reduce product weight without sacrificing strength.

MODEL	DESCRIPTION
<b>LOW ROOF FIXED CENTER PANEL</b>	
S1M1C1FSV	Solid panels
S1M2C1FSV	Center panel perforated
S1M2C2FSV	Center and Curb panels perforated
S2M2C2FSV	All panels perforated
<b>LOW ROOF HINGED CENTER PANEL “DOOR”</b>	
S1M1HC1FSV	Solid panels
S1M2HC1FSV	Center panel perforated
S1M2HC2FSV	Center and Curb panels perforated
S2M2HC2FSV	All panels perforated
<b>MED/HIGH ROOF FIXED CENTER PANEL</b>	
S1M1C1PM	Solid panels
S1M2C2PM	Center and Curb panels perforated
<b>MED/HIGH ROOF HINGED CENTER PANEL “DOOR”</b>	
S1M1HC1PM	Solid panels
S1M2HC2PM	Center and Curb panels perforated
<b>PARTITION WING KITS</b>	
WKC1FDTS	Low Roof Wing Kit
WKC1FDTM	Medium Roof Wing Kit
WKC1FDTH	High Roof Wing Kit

Partitions are sold as panel kits and wing kits. Please see application chart to confirm the appropriate panel kit and wing kit for your vehicle.



**FOR A MORE COMFORTABLE MOBILE OFFICE**

**NEW COMPOSITE PARTITION FOR LOW ROOF TRANSIT**

Your mobile office is now more comfortable with an Adrian Steel composite partition. Sound deadening reduces driver distractions. Climate control reduces vehicle idle time for warm up and cool down. Generous leg room for less stress behind the wheel. The integrated steel frame provides the same level of performance that you are accustomed to from Adrian Steel.



- Available with or without a clear poly rear-view window.
- Add hooks along the integrated AD rail.
- Features a mounting location by the door for a fire extinguisher (not included.)

**PARFTL** - Composite Partition with Window

**PARFTL-NW** - Composite Partition without Window

**NEW**



### CONFIGURE YOUR TRANSIT TO YOUR SPECIFIC CARGO MANAGEMENT NEEDS.

Adrian Steel Shelving options are designed to best utilize the space within your van.

## LOW ROOF



### WELDED SHELVING FOR LOW ROOF TRANSIT

The **44 Series Welded Shelving** feature welded shelves, back panels and end panels. These fully welded shelf units allow for greater weight capacity and reduce cargo noise. Add drawer units, dividers and removable bins to customize your setup.



MODEL	DESCRIPTION
4432	Welded Cabinet - 32"W x 46"H x 14"D
4442	Welded Cabinet - 42"W x 46"H x 14"D
4450	Welded Cabinet - 50"W x 46"H x 14"D

## MEDIUM & HIGH ROOF

**AD**  
series



### HAD SHELVING FOR MEDIUM & HIGH ROOF TRANSIT

The **HAD shelving units** feature two ADseries adjustable shelves in the center of the shelf unit. These two shelves feature a 2" lip and, with only a screwdriver, can be adjusted up or down on one inch increments. Includes two steel back panels and shelves have pre-drilled holes for adding dividers, drawer units and other plug and play accessories. Must be installed with a Rail Kit. See page 63 for the appropriate Rail Kit.

MODEL	OVERALL SIZE
HAD3259	32" x 59" x 14"
HAD4459	44" x 59" x 14"
HAD5059	50" x 59" x 14"



### HD SHELVING FOR MEDIUM & HIGH ROOF TRANSIT

The **HD shelving units** feature KD adjustable shelves. The top and bottom shelf feature a 2" lip, the center two shelves feature a 4" lip. Each shelf can be adjusted up or down on one inch increments.

MODEL	OVERALL SIZE
HD3259	32" x 59" x 14"
HD4459	44" x 59" x 14"
HD5059	50" x 59" x 14"



### ALL-NEW & COMPLETELY REDESIGNED ALUMINUM GRIP-LOCK RACK

Off-the-Roof, Angled Design Offers a Lower Reach Height than Traditional Grip-Lock Racks.

The innovative "tilt angle" design offers a lower reach height than traditional grip lock racks.



**NEW**

Technicians that are 5'-7" or taller can easily load and unload the rack without climbing up on anything.

Adrian Steel's completely redesigned grip-lock style ladder rack is designed to make your job easier when loading and unloading your ladders. The innovative "tilt angle" design offers a lower reach height than traditional grip lock style racks. Technicians that are 5'7" or taller can safely load and unload ladders with out having to climb up on something.

The clamping mechanism secures and protects ladders when they are stowed or in transit. A padlock can be added for extra security. The natural aluminum finish reduces corrosion and helps preserve the integrity of the rack.

*The all-new Grip-Lock Ladder Rack is an economical option that will look great and perform effortlessly for many years on your van!*



61-GLFTL - Single, Transit Low Roof  
63-GLFTL - Double, Transit Low Roof

**FINALLY!**

**A LADDER RACK DESIGNED AROUND YOU... NOT YOUR VEHICLE.**

Introducing the All-New Drop-Down Ladder Rack from Adrian Steel!



The new, simpler design makes it easier to install and adjust. The aluminum build of the rack reduces corrosion and keeps your ladder rack looking like new. It will accommodate a variety of ladders and safely secure them for transport.

Technicians that are 5'-5" or taller can safely load and unload the ladder because of the lower, more ergonomic load and unload height. Durability testing ensures that the rack will stand the test of time and perform as it should for many years.

**NEW**



**EXCLUSIVE!**

With the turn of a knob, you can quickly adjust the rack to fit a wide variety of ladders.

- DDL61FTL** - Single, Transit Low Roof
- DDL63FTL** - Double, Transit Low Roof
- DDL64FTL** - Drop-Down & Grip-Lock Combo, Transit Low Roof

**Technicians that are 5'-5" or taller can easily load and unload the rack without climbing up on anything.**

Standard rack accommodates 28' extension ladder and 10' step ladder – short step ladders will need optional step ladder kit and up to 32' extension ladder with extension ladder kit.

**ALUMINUM UTILITY RACK FOR TRANSIT LOW ROOF**

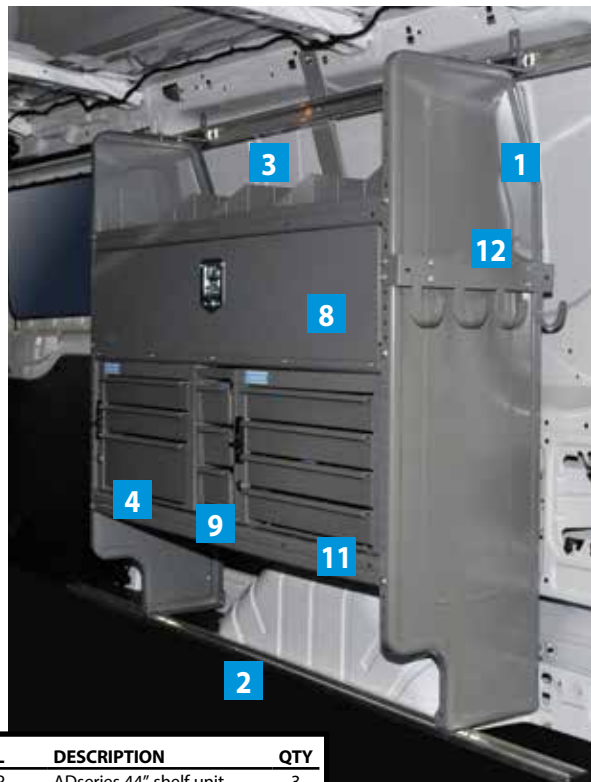
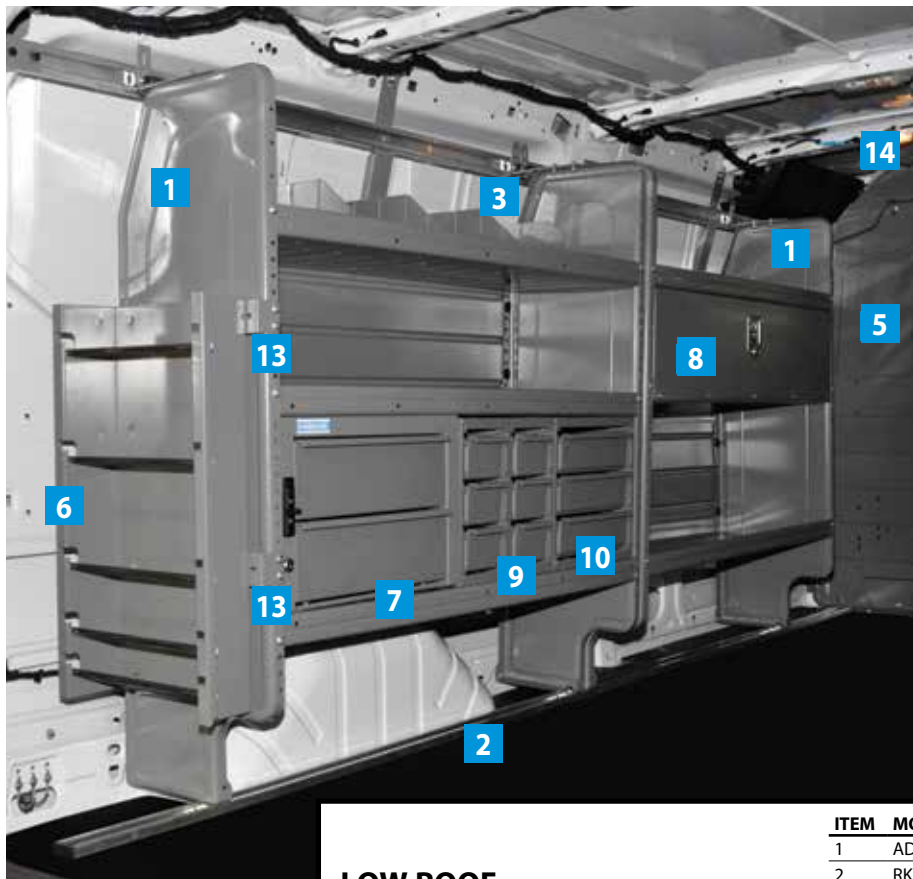


**LOW ROOF TRANSIT**

- This all aluminum rack is corrosion free! Available in white or black powder coat paint.
- The uprights are fully plastisolled to protect against wear and reduce ladder fatigue.
- Uprights feature many attachment points for securing cargo straps.
- The Rear Roller Bar eases the loading and unloading of the rack. The Rear Roller comes standard with the 2 and 3 Bar racks.
- Optional center bars support shorter lengths and provide additional support.
- Utilizes factory attachment points in roof so no drilling is needed.
- The Utility Rack rail system allows for 7 foot crossbar spacing.

MODEL	DESCRIPTION	COLOR
3BARRFT-B	3 Bar Utility Rack w/rear roller bar	Black
3BARRFT-W	3 Bar Utility Rack w/rear roller bar	White
2BARRFT-B	2 Bar Utility Rack w/rear roller bar	Black
2BARRFT-W	2 Bar Utility Rack w/rear roller bar	White
1BARRFT-B	1 Crossbar	Black
1BARRFT-W	1 Crossbar	White
80-1	Aluminum Conduit Carrier 10' 6"	
80-2	Aluminum Conduit Carrier 12' 6"	





**LOW ROOF  
ELECTRICAL & GAS APPLIANCE  
REPAIR PACKAGE**

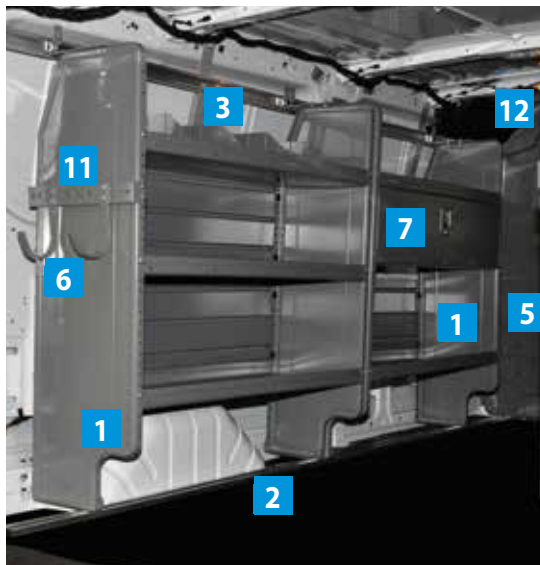
**4319TL130** Transit 130"WB Low Roof  
**4319TL148** Transit 148"WB Low Roof

ITEM	MODEL	DESCRIPTION	QTY
1	AD44FP	ADseries 44" shelf unit	3
2	RK130FTS or RK148FTS	Rail Kit for 130" WB Rail Kit for 148" WB	1
3	DV14C8	Divider kit of 8	1
4	919	Three Drawer Combo	1
5	S1M2HC2FSV	Partition with door	1
6	WRH5	Wire Reel Holder	1
7	19	Two Drawer Medium	1
8	DK4208	8" Door Kit	2
9	DC6	Drawer Component - 6"	3
10	DC12	Drawer Component - 12"	1
11	9	Four Drawer Shallow	1
12	TA1WAD	Hook Bar	1
13	BRK14EPS	End Panel Bracket	2
14	WKC1FDTS	Partition Wing Kit	1

**LOW ROOF  
GENERAL SERVICE PACKAGE**

**4317TL130** Transit 130"WB Low Roof  
**4317TL148** Transit 148"WB Low Roof

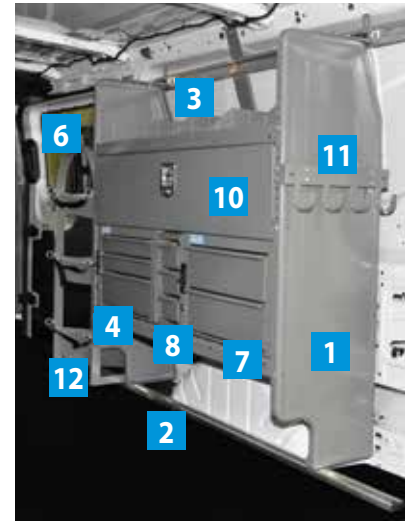
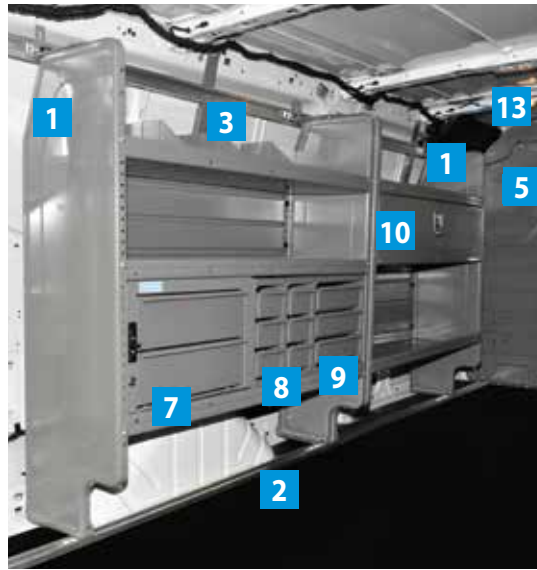
ITEM	MODEL	DESCRIPTION	QTY
1	AD44FP	ADseries 44" shelf unit	3
2	RK130FTS or RK148FTS	Rail Kit for 130" WB Rail Kit for 148" WB	1
3	DV14C8	Divider 8 pack	1
4	919	Three Drawer Combo	1
5	S1M2HC2FSV	Partition with door	1
6	UH50	Utility Hook	2
7	DK4208	8" Door Kit	2
8	TA1WAD	Hook Bar	1
9	19	Two Drawer Medium	1
10	DC6	Drawer Component - 6"	1
11	BRK14EPS	End Panel Bracket	1
12	WKC1FDTS	Partition Wing Kit	1



**LOW ROOF  
PLUMBING, HEATING &  
A/C REPAIR PACKAGE**

**4318TL130** Transit 130"WB Low Roof  
**4318TL148** Transit 148"WB Low Roof

ITEM	MODEL	DESCRIPTION	QTY
1	AD44FP	ADseries 44" shelf unit	3
2	RK130FTS or RK148FTS	Rail Kit for 130" WB Rail Kit for 148" WB	1
3	DV14C8	Divider 8 pack	1
4	919	Three Drawer Combo	1
5	S1M2HC2FSV	Partition with door	1
6	WTR230150	Welded Tank Rack	1
7	19	Two Drawer Medium	2
8	DC6	Drawer Component - 6"	3
9	DC12	Drawer Component - 12"	1
10	DK4208	8" Door Kit	2
11	TA1WAD	Hook Bar	1
12	RKAWTR	Tank Holder Adapter	1
13	WKC1FDTS	Partition Wing Kit	1

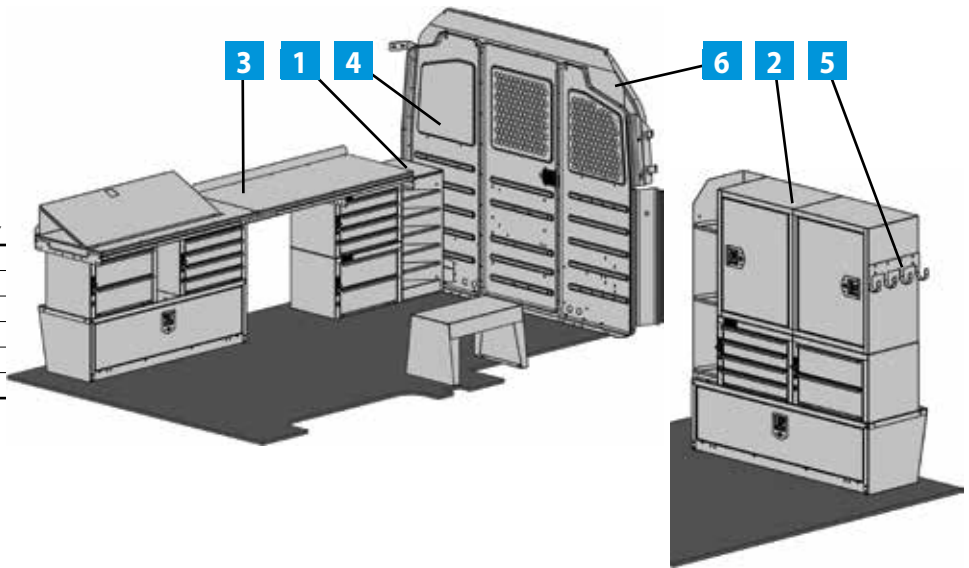


Ford Transit

**LOW ROOF  
LOCKSMITH PACKAGE**

**5274TL** Transit 130"/148"WB Low Roof

ITEM	MODEL	DESCRIPTION	QTY
1	17A	Catalog File	1
2	MD506	Drawer Cabinet Module	1
3	MD608	Workbench Module	1
4	S1M2HC2FSV	Partition with door	1
5	TA1	Hook Bar	1
6	WKC1FDTS	Partition Wing Kit	1



**LOW ROOF  
BASE SHELVING PACKAGE**

**5156TL130** Transit 130"WB Low Roof  
**5156TL148** Transit 148"WB Low Roof

ITEM	MODEL	DESCRIPTION	QTY
1	AD44FP	ADseries 44" shelf unit	3
2	RK130FTS or RK148FTS	Rail Kit for 130"WB Rail Kit for 148"WB	1
3	S1M2HC2FSV	Partition with door	1
4	WKC1FDTS	Partition Wing Kit	1

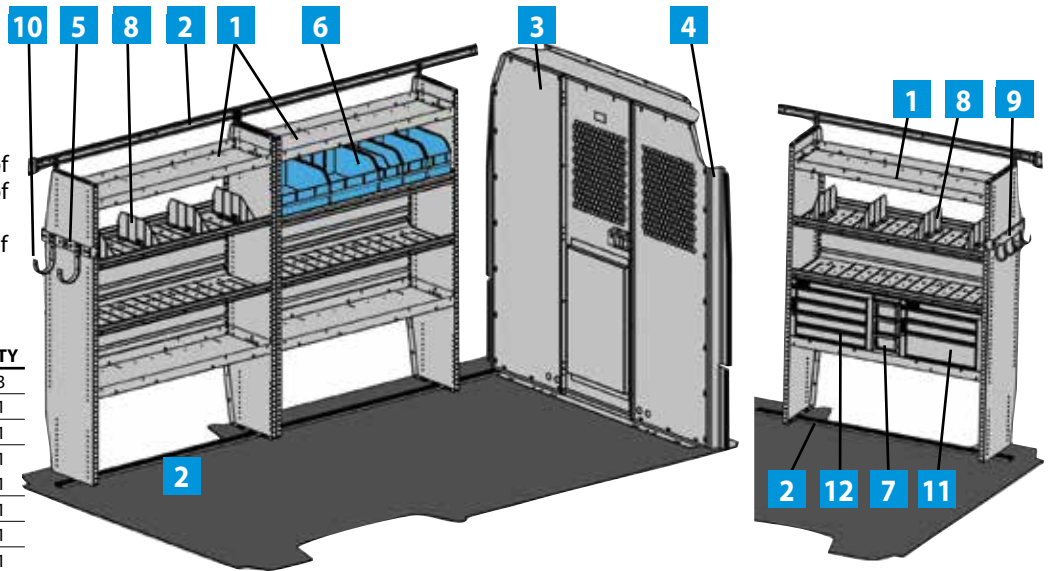


**MEDIUM & HIGH ROOF  
GENERAL SERVICE PACKAGE**

**4317TM130** Transit 130"WB Med Roof  
**4317TM148** Transit 148"WB Med Roof

**4317TH148** Transit 148"WB High Roof  
**4317TH148X** Transit 148"EXT WB High Roof

ITEM	MODEL	DESCRIPTION	QTY
1	HAD4459	ADseries Shelf Unit 44"	3
2	RAIL KIT	*see list below	1
3	S1M2HC2PM	Partition with door	1
4	WKC1FDTM	Wing Kit, Med roof	1
or	WKC1FDTH	Wing Kit, High roof	1
5	BRK14EPS	End Panel Bracket	1
6	BR36212	Blue Bin System	1
7	DC6	6" Drawer Component	1
8	DV14C8	Divider Kit of 8	1
9	TA1WAD	3 Hook Bar	1
10	UH50	5" Hook	2
11	919	3 Drawer Combo	1
12	9	4 Drawer Shallow	1

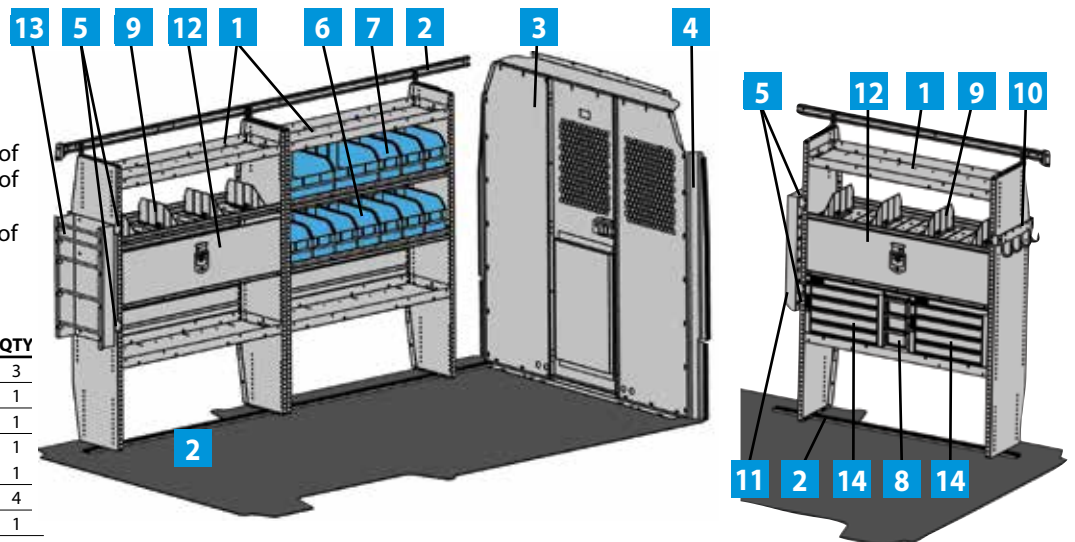


**MEDIUM & HIGH ROOF  
ELECTRICAL CONTRACTOR  
PACKAGE**

**4319TM130** Transit 130"WB Med Roof  
**4319TM148** Transit 148"WB Med Roof

**4319TH148** Transit 148"WB High Roof  
**4319TH148X** Transit 148"EXT WB High Roof

ITEM	MODEL	DESCRIPTION	QTY
1	HAD4459	ADseries Shelf Unit 44"	3
2	RAIL KIT	*see list below	1
3	S1M2HC2PM	Partition with door	1
4	WKC1FDTM	Wing Kit, Med roof	1
or	WKC1FDTH	Wing Kit, High roof	1
5	BRK14EPS	End Panel Bracket	4
6	BR76012	Blue Bin System	1
7	BR36212	Blue Bin System	1
8	DC6	6" Drawer Component	1
9	DV14C8	Divider Kit of 8	1
10	TA1WAD	3 Hook Bar	1
11	CB5	Literature Rack	1
12	DK4210	Door Kit	2
13	WRH5	Wire Reel Holder	1
14	9	4 Drawer Shallow	2



**\*RAIL KITS**

MODEL	DESCRIPTION
RK130FTM	130" WB Rail Kit - Transit RWB, med roof
RK148FTM	148" WB Rail Kit - Transit LWB, med/high roof
RK148FTHE	148"EXT WB Rail Kit - Transit LWBEL, high roof

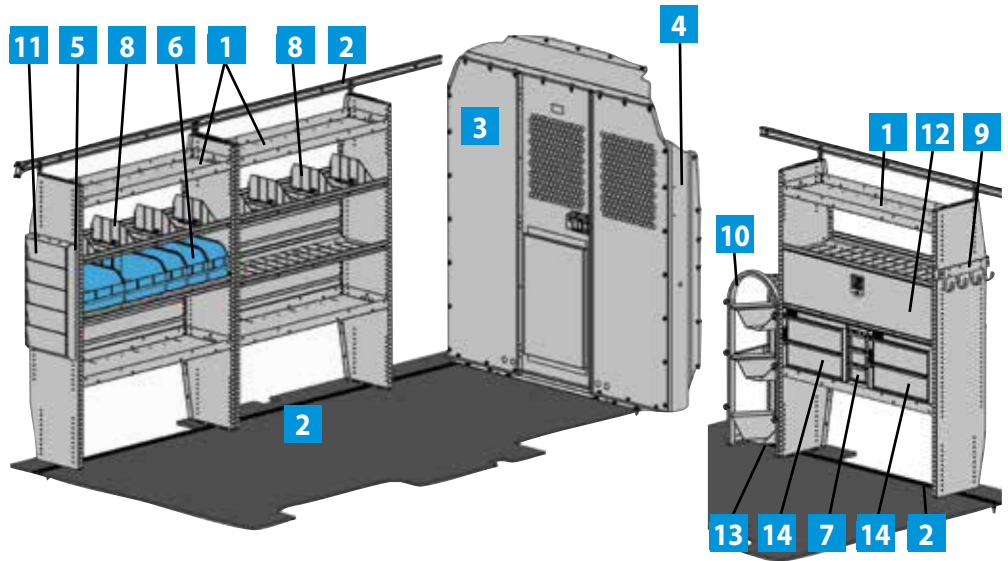


**MEDIUM & HIGH ROOF  
PLUMBING, HEATING & A/C  
REPAIR PACKAGE**

**4318TM130** Transit 130"WB Med Roof  
**4318TM148** Transit 148"WB Med Roof

**4318TH148** Transit 148"WB High Roof  
**4318TH148X** Transit 148"EXT WB High Roof

ITEM	MODEL	DESCRIPTION	QTY
1	HAD4459	ADseries Shelf Unit 44"	3
2	RAIL KIT	*see list on page 22	1
3	S1M2HC2PM	Partition with door	1
4	WKC1FDTM	Wing Kit, Med roof	1
or	WKC1FDTH	Wing Kit, High roof	1
5	BRK14EPS	End Panel Bracket	2
6	BR36212	Blue Bin System	1
7	DC6	6" Drawer Component	1
8	DV14C8	Divider Kit of 8	1
9	TA1WAD	3 Hook Bar	1
10	WTR230150	Welded Tank Rack	1
11	CB5	Literature Rack	1
12	DK4210	Door Kit	1
13	RKAWTR	Tank Rack Adapter	1
14	19	2 Drawer Medium	2



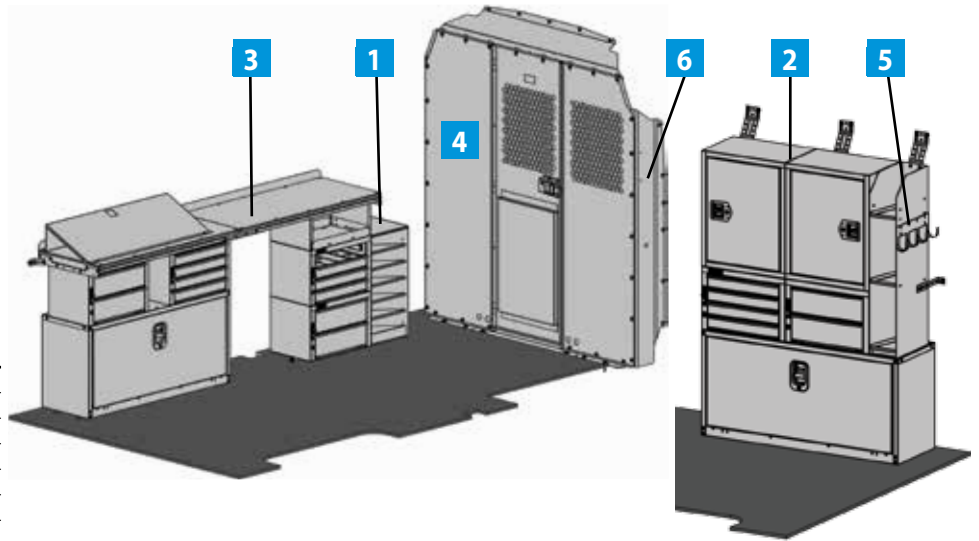
Ford Transit

**MEDIUM & HIGH ROOF  
LOCKSMITH PACKAGE**

**5274TM** Transit 130"/148" WB Med Roof

**5274TH** Transit 148"/148" EXT WB High Roof

ITEM	MODEL	DESCRIPTION	QTY
1	17A	Catalog File	1
2	MD506PM	Drawer Cabinet Module	1
3	MD608PM	Workbench Module	1
4	S1M2HC2PM	Partition with door	1
5	TA1	Hook Bar	1
6	WKC1FDTM	Wing Kit, Med roof	1
or	WKC1FDTH	Wing Kit, High roof	1

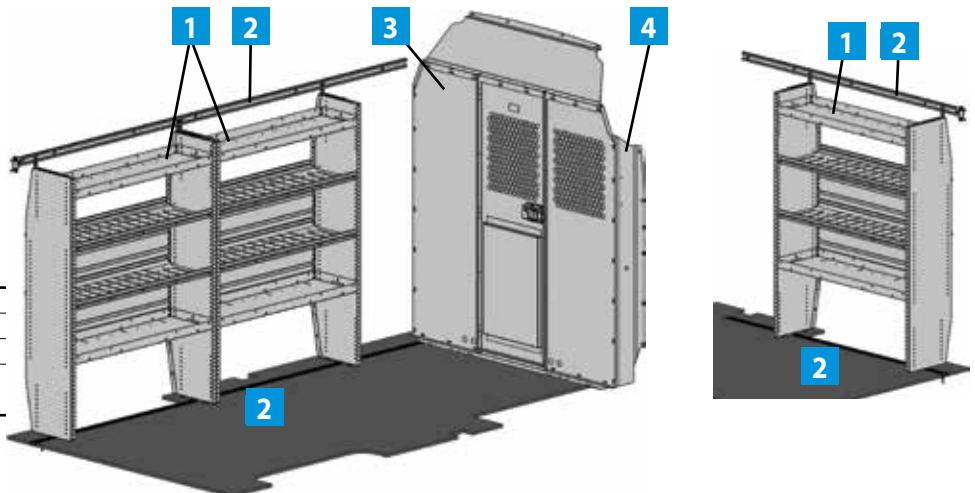


**MEDIUM & HIGH ROOF  
BASE SHELVING PACKAGE**

**5156TM130** Transit 130"WB Med Roof  
**5156TM148** Transit 148"WB Med Roof

**5156TH148** Transit 148"WB High Roof  
**5156TH148X** Transit 148"EXT WB High Roof

ITEM	MODEL	DESCRIPTION	QTY
1	HAD4459	ADseries Shelf Unit, 44"	3
2	Rail Kit	*see list on page 22	1
3	S1M2HC2PM	Partition with door	1
4	WKC1FDTM	Wing Kit, Med roof	1
or	WKC1FDTH	Wing Kit, High roof	1



**ADRIAN STEEL PARTITIONS KEEP CARGO WHERE IT BELONGS, IN THE CARGO AREA!**

Stamped steel partitions are available for both Nissan NV Cargo Standard and High Roof vans. The perforated panels allow for side and rear visibility, while increasing cab area climate control. Max Comfort Wing Kits allow for 3 inches of additional front seat adjustability for more cab and leg room. Partition accessories can be attached for easy reach.



Shown: S1M2C2FSV High roof partition with WKC1LCVH wing kit.

**S1 Solid**  
S2 Perforated Top  
Panels mount behind driver seat.

**M1 Solid**  
M2 Perforated Top  
Fixed center panels can be hinged as key-locking doors

**C1 Solid**  
C2 Perforated Top  
Panels mount behind passenger seat

**Max Comfort Wing Kit**  
Partition setback allows for 3" of additional front seat adjustability for more cab and leg room. (Reduces cargo space by 3".)

**S-M-C SERIES PARTITIONS**

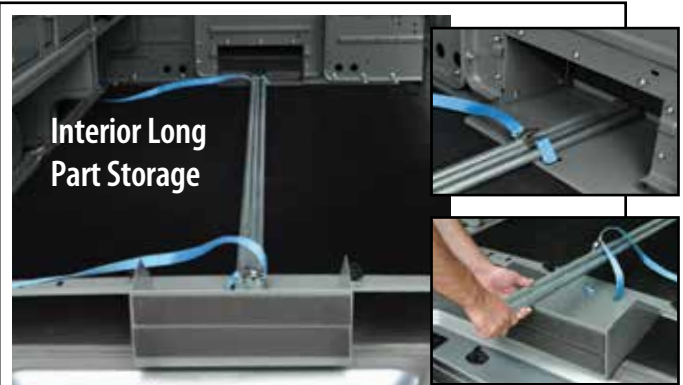
- Choose from solid or perforated panels.
- Partition mounts behind the B-pillar allowing for maximum cab comfort.
- Center M panels can be fixed or hinged with a key-locking door. All hinged door partitions come standard with two 6" hinges, bulb seal and a slam latch. These features reduce vibration noise.
- Partitions feature pre-drilled holes for adding accessories easily, and larger pass-through holes for routing wiring.
- Stamped steel panels reduce product weight without sacrificing strength.

Note: Extended wing kits reduce the amount of cargo space. Please confirm the interior layout of the van package to confirm that the extended wing kit has adequate room needed for installation.



Shown: S1M2C2FSV Standard roof partition with WKC1LCVS wing kit.

PARTITION PANEL KIT PART NUMBER	
<b>FIXED CENTER PANEL</b>	
SOLID PANELS	S1M1C1FSV
CENTER PANEL PERF. TOP ONLY	S1M2C1FSV
PERF. CENTER & CURB PANELS	S1M2C2FSV
ALL PANELS PERFORATED	S2M2C2FSV
<b>HINGED CENTER PANEL "DOOR"</b>	
SOLID PANELS	S1M1HC1FSV
CENTER PANEL PERF. TOP ONLY	S1M2HC1FSV
PERF. CENTER & CURB PANELS	S1M2HC2FSV
ALL THREE PANELS PERFORATED	S2M2HC2FSV
<b>WING KITS</b>	
STANDARD ROOF	WKC1LCVS - MAX CARGO
	WKC1LCVS3 - MAX COMFORT
HIGH ROOF	WKC1LCVH - MAX CARGO
	WKC1LCVH3 - MAX COMFORT



**Carry 10 feet of conduit or pipe inside your NV Cargo with the Long Part Storage Kit!**

The modified middle partition panel has an extended box which has a 13 3/4" wide by 5 3/4" high opening in the M panel. Tie down straps are provided at the front and the rear of the product to secure the load. The rear tray is positioned to contain the cargo and protect the rear doors. Fits late model Adrian Steel SMC partitions only. Not compatible with hinged door partition option.

MODEL	DESCRIPTION
M1FLP	M1 panel w/Long Parts Storage Kit
M2FLP	M2 panel w/Long Parts Storage Kit
S1M1C1FLP	S1M1C1 Panel Kit w/Long Parts Storage Kit
S1M2C1FLP	S1M2C1 Panel Kit w/Long Parts Storage Kit
S1M2C2FLP	S1M2C2 Panel Kit w/Long Parts Storage Kit

**LOADING LADDERS JUST GOT DOWN RIGHT EASY.**

Adrian's LOADSRITE Ladder Racks easily raise and lower to eliminate the need to climb, stretch or reach for your ladder on top or your NV Cargo. The unique design of the LOADSRITE presents the ladder in a diagonal position bringing it to a comfortable working height.

**NISSAN NV CARGO  
LOADSRITE FEATURES & BENEFITS**

- Designed to allow ladders to be loaded and unloaded one end at a time.
- Ladder clamps securely hold the ladder for transportation.
- Ladders can be padlocked for added security.
- Clamping of ladder is automatic.
- Aluminum bed frame, cast aluminum grab handle, stainless steel latch and fasteners.
- Rollers and dampers create a smooth transition to the stowed and down positions.

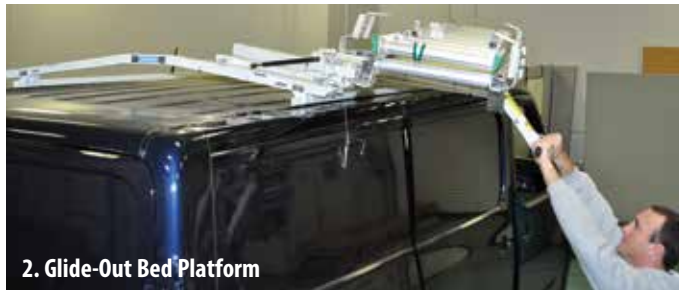
- The easy-reach release handle lowers toward the ground for better access (high roof.)
- Two handed operation is required to release the ladder for safer loading and unloading.
- Plastisol clamps and plastic pads protect fiberglass ladders.
- The LoadsRite for the Nissan NV Cargo can carry 16' - 36' extension ladders

- LCVLR-S61** Single LoadsRite (curbside) -std. roof
- LCVLR-S63** Double LoadsRite -std. roof
- LCVLR-H61** Single LoadsRite (curbside) -high roof
- LCVLR-H63** Double LoadsRite -high roof

**NV CARGO STANDARD ROOF**



1. Easy Reach Handle



2. Glide-Out Bed Platform



3. Hydraulic Load Assist

**NV CARGO HIGH ROOF**



1. Rotate Handle

2. Primary Drop



3. Secondary Drop

4. Unload Ladder



### EZ LOAD LADDER RACK BY ADRIAN STEEL

Designed with the average height person in mind, the EZ Load Ladder Rack is the most functional, easy to use grip lock style ladder rack on the market.



Nissan NV Cargo



UP & LOCKED POSITION

#### EZ to Operate

Loading ladders just got easier! Taller cargo vans and longer ladders make it difficult to load ladders, until now. The EZ Load rack's patent pending design brings the rack down 6" towards you so you don't have to reach the roof of your van to load and unload ladders. Much closer than any comparable grip lock rack on the market today.

#### EZ to Adjust

Ladders come in all shapes and sizes. The EZ Load ladder rack has one common fastener versus comparable grip lock racks with different fasteners for different brackets. All you need to adjust your EZ Load Rack for your ladders is a 1/2" socket.



LOWERED POSITION

#### EZ to Maintain

Corrosion Free! The all aluminum design with stainless steel fasteners allow the EZ Load to look great for years to come!

#### EZ to Accessorize

The new T-Slot design makes adding accessories EZ! Add a stepladder kit, conduit carrier or utility rack kit with ease!



Crossbar with T-Slot and square-head bolts.



Plastisol coated brackets and plastic contact surfaces protect ladders from excessive wear.



**NEW DESIGN OFFERS BETTER ERGONOMICS!**

Cargo vans are getting taller each year and most grip lock style ladder racks do not take this factor into their design. The average height person in North America is 5'8" (according to the CDC) and the taller the cargo vans get, the harder it is to load a ladder on top of these vans. The patent pending design of the EZ Load Ladder Rack brings the ladder down 6" towards the operator. Making it easier to reach when you unload and more importantly, when the operator has to load the ladder, they no longer have to lift the ladder to the top of the cargo van reducing the risk of injury!

- **Ladder Protection** – Ladders stowed on the EZ Load Ladder Rack are protected with composite plastic that keep fiberglass ladders from rubbing on the metal of the ladder rack. This prolongs the life of your fiberglass ladders.
- **Safe Ladder Transportation** – No bungee cords needed. Four brackets secure the ladder tightly in place during transportation. Proper adjustment should take place when you first load your ladders on the EZ Load Rack.
- **Ladder Security** – Ladders can be secured against theft with an optional padlock.
- The EZ Load Ladder Rack accommodates 10' – 36' extension ladders and 8' step ladders. Shorter ladders can be accommodated with the optional step ladder kit.

**EZ Load available for Standard Roof NV Cargo models only.**

MODEL	DESCRIPTION
61-EZLCVC	EZ Load Single Curbside
61-EZLCVS	EZ Load Single Streetside
63-EZLCV	EZ Load Double
LR64EZCLCV	LoadsRite Combo (curb drop-down)
68-EZLCV	Step Ladder Kit
64-EZLCV	Combo w/ Step Ladder Kit
65-EZ	Utility Rack Add-on Kit
LR6200WSF	LoadsRite Add-on Kit (streetside)*
LR6200WCF	LoadsRite Add-on Kit (curbside)*
70-1EZ	4" PVC Conduit Kit
70-2EZ	6" PVC Conduit Kit
80-1EZ	10' Aluminum Conduit Carrier
80-2EZ	12' Aluminum Conduit Carrier

\*Order with BAGLR64EZ



**Pull to release the handle, swing out and down to lower ladder.**



**Lift ladder off the rear bracket.**

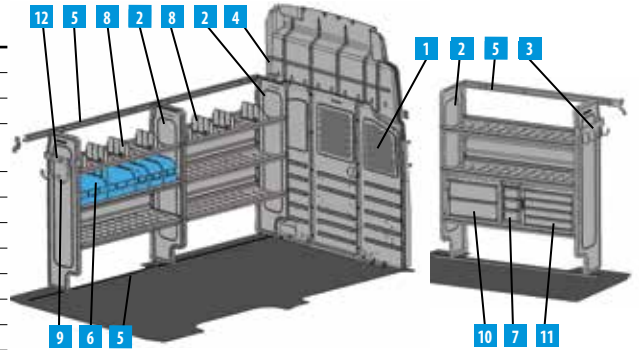


**Lower ladder to the ground, resting the top of the ladder on the front bracket.**

AVAILABLE FOR BOTH NV CARGO STANDARD AND HIGH ROOF MODELS.

**GENERAL SERVICE PACKAGE**

ITEM	MODEL	DESCRIPTION	QTY
1	S1M2C2FSV	Partition	1
2	AD44LCV	ADseries Shelving Unit	3
3	TA1WAD	Four Hook Bar	1
4	WKC1LCVH or WKC1LCVS	Partition wing kit - high roof Partition wing kit - std roof	1
5	RKLCV	Rail Kit	1
6	BR36212	Parts Bin System (3-6", 2-12")	1
7	DC6	Drawer Component 6"	1
8	DV14C1	Divider	8
9	UH50	5" Hook	2
10	19	Two Drawer Medium	1
11	9	Four Drawer Shallow	1
12	BRK14EPS	End Panel Bracket	1

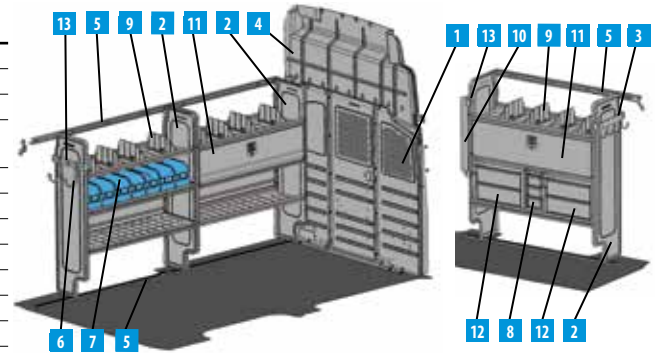


**SECURITY PACKAGE**

**STANDARD ROOF #4688NS**

ITEM	MODEL	DESCRIPTION	QTY
1	S1M2C2FSV	Partition	1
2	AD44LCV	ADseries Shelving Unit	3
3	TA1WAD	Four Hook Bar	1
4	WKC1LCVH or WKC1LCVS	Partition wing kit - high roof Partition wing kit - std roof	1
5	RKLCV	Rail Kit	1
6	UH50	5" Hook	2
7	BR76012	Parts Bin System (7-6")	1
8	DC6	Drawer Component 6"	1
9	DV14C1	Divider	12
10	CB5	Five Slot Literature Rack	1
11	DK4210	Door Kit	2
12	19	Two Drawer Medium	2
13	BRK14EPS	End Panel Bracket	3

**HIGH ROOF #4688NH**

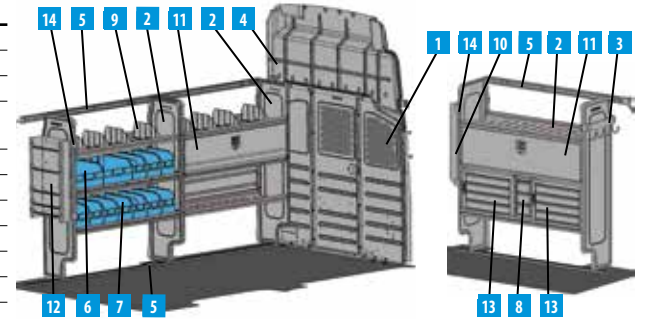


**ELECTRICAL CONTRACTOR PACKAGE**

ITEM	MODEL	DESCRIPTION	QTY
1	S1M2C2FSV	Partition	1
2	AD44LCV	ADseries Shelving Unit	3
3	TA1WAD	Four Hook Bar	1
4	WKC1LCVH or WKC1LCVS	Partition wing kit - high roof Partition wing kit - std roof	1
5	RKLCV	Rail Kit	1
6	BR36212	Parts Bin System (3-6", 2-12")	1
7	BR76012	Parts Bin System (7-6")	1
8	DC6	Drawer Component 6"	1
9	DV14C1	Divider	8
10	CB5	Five Slot Literature Rack	1
11	DK4210	Door Kit	2
12	WRH5	Wire Reel Holder	1
13	9	Four Drawer Shallow	2
14	BRK14EPS	End Panel Bracket	4

**STANDARD ROOF #4687NS**

**HIGH ROOF #4687NH**



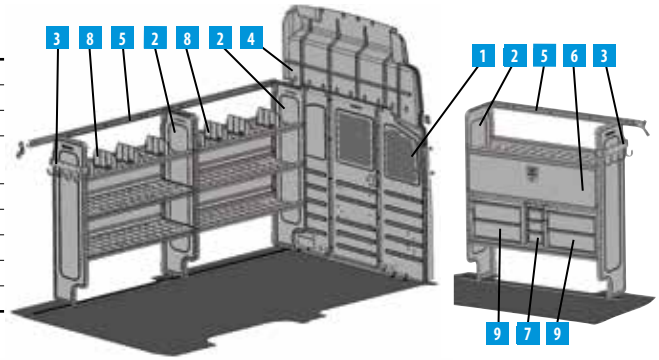
Nissan NV Cargo

### CABLE PACKAGE

#### STANDARD ROOF #4689NS

#### HIGH ROOF #4689NH

ITEM	MODEL	DESCRIPTION	QTY
1	S1M2C2FSV	Partition	1
2	AD44LCV	ADseries Shelving Unit	3
3	TA1WAD	Four Hook Bar	2
4	WKC1LCVH or WKC1LCVS	Partition wing kit - high roof Partition wing kit - std roof	1
5	RKLCV	Rail Kit	1
6	DK4210	Door Kit	1
7	DC6	Drawer Component 6"	1
8	DV14C1	Divider	8
9	19	Two Drawer Medium	2

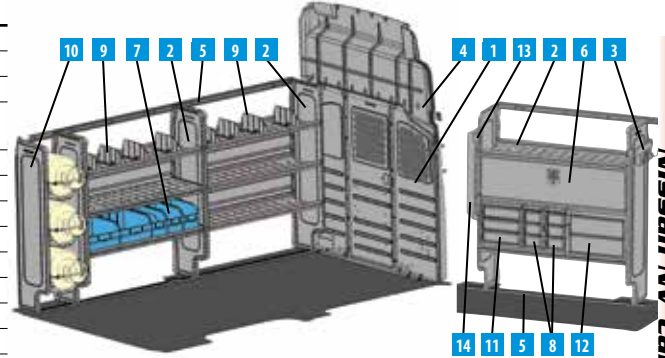


### HVAC PACKAGE

#### STANDARD ROOF #4690NS

#### HIGH ROOF #4690NH

ITEM	MODEL	DESCRIPTION	QTY
1	S1M2C2FSV	Partition	1
2	AD44LCV	ADseries Shelving Unit	3
3	TA1WAD	Four Hook Bar	1
4	WKC1LCVH or WKC1LCVS	Partition wing kit - high roof Partition wing kit - std roof	1
5	RKLCV	Rail Kit	1
6	DK4210	Door Kit	1
7	BR36212	Parts Bin System (3-6", 2-12")	1
8	DC6	Drawer Component 6"	2
9	DV14C1	Divider	8
10	TH51FP	3 Tank Rack	1
11	DC12	Drawer Component 12"	1
12	19	Two Drawer Medium	1
13	BRK14EPS	End Panel Bracket	2
14	CBS	Five Slot Literature Rack	1



### LOCKSMITH PACKAGE

#### STANDARD ROOF #2255NS

ITEM	MODEL	DESCRIPTION	QTY
1	S1M2HC2FSV	Partition with Door	1
2	WKC1LCVS	Partition wing kit - std roof	1
3	RKLCV	Rail Kit	1
4	RKALCV	Rail Kit Adapter	1
5	MD506	Drawer & Cabinet Module	1
6	MD608	Workbench Module (18"x26"x84")	1
7	17A	Six Shelf Literature File	1
8	TA1	Four Hook Bar (not shown)	1



LOCKSMITH PACKAGE  
STANDARD ROOF

### LOCKSMITH PACKAGE

#### HIGH ROOF #2255NH

ITEM	MODEL	DESCRIPTION	QTY
1	S1M2HC2FSV	Partition with Door	1
2	WKC1LCVH	Partition wing kit - high roof	1
3	RKLCV	Rail Kit	1
4	RKALCV	Rail Kit Adapter	1
5	MD506	Drawer & Cabinet Module	1
6	MD608NH	Workbench Module	1
7	17A	Six Shelf Literature File	1
8	TA1	Four Hook Bar (not shown)	1

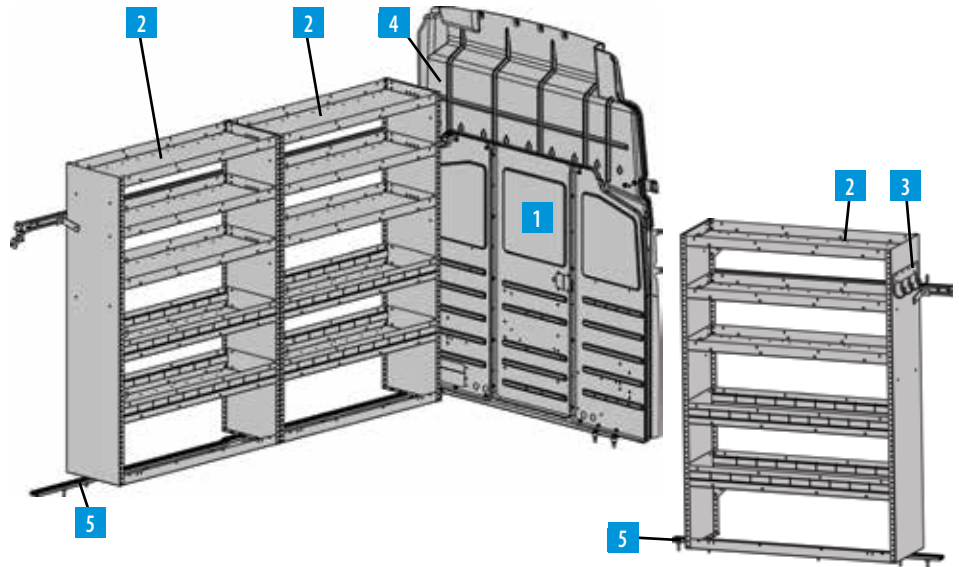


LOCKSMITH PACKAGE  
HIGH ROOF



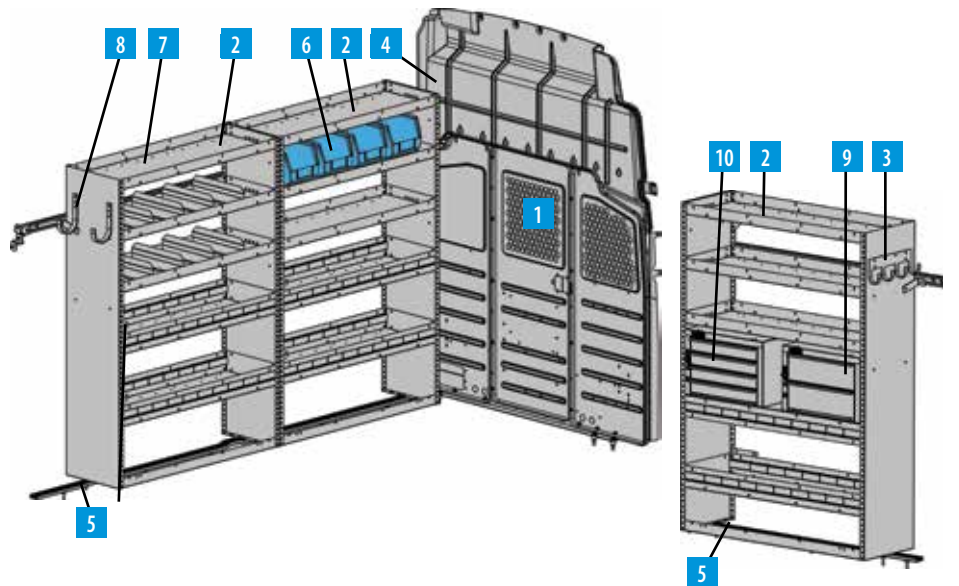
### 5074NH CARGO MANAGEMENT SYSTEM 60" TALL SHELVING NV Cargo High Roof

ITEM	MODEL	DESCRIPTION	QTY
1	S1M2C2FSV	Partition	1
2	HD42NVH	HD Series Shelving Unit 60"	3
3	TA1	Four Hook Bar	1
4	WKC1LCVH	Partition wing kit - high roof	1
5	RKLCV	Rail Kit	1



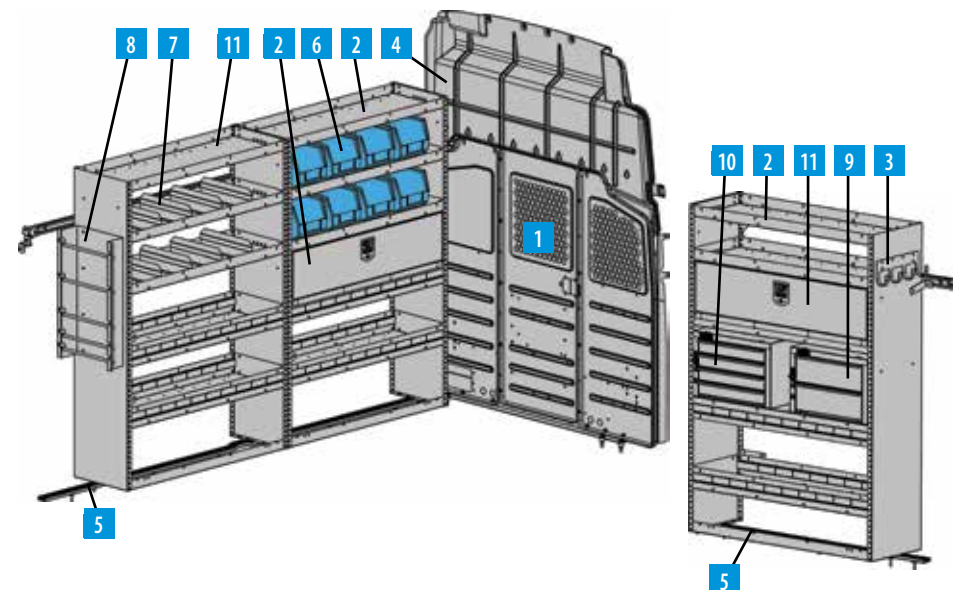
### 5075NH GENERAL SERVICE PACKAGE 60" TALL SHELVING NV Cargo High Roof

ITEM	MODEL	DESCRIPTION	QTY
1	S1M2C2FSV	Partition	1
2	HD42NVH	HD Series Shelving Unit 60"	3
3	TA1	Four Hook Bar	1
4	WKC1LCVH	Partition wing kit - high roof	1
5	RKLCV	Rail Kit	1
6	28	Blue Bin	4
7	DV14	Divider	8
8	UH50	5" Hook	2
9	19	Two Drawer Medium	1
10	9	Four Drawer Shallow	1



### 5076NH ELECTRICAL CONTRACTOR PACKAGE 60" TALL SHELVING NV Cargo High Roof

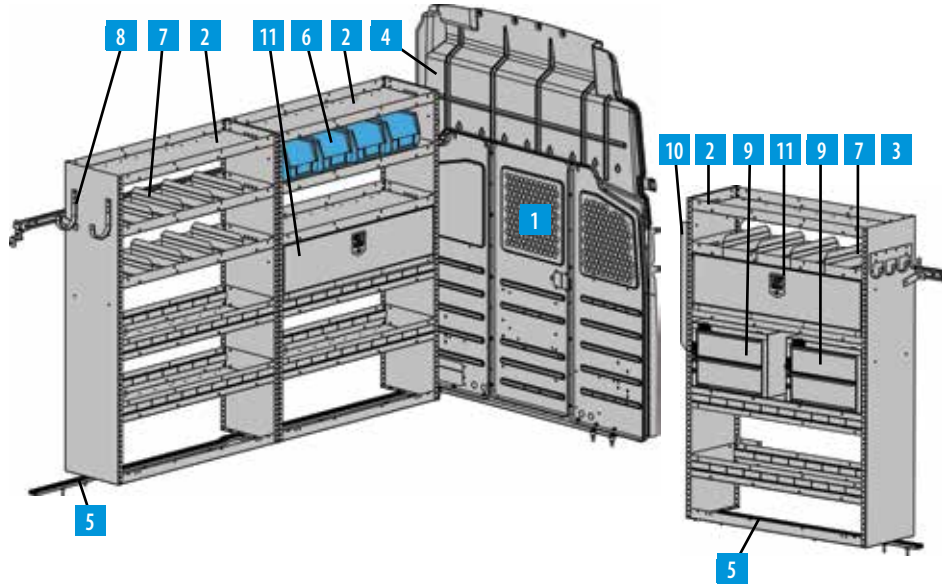
ITEM	MODEL	DESCRIPTION	QTY
1	S1M2C2FSV	Partition	1
2	HD42NVH	HD Series Shelving Unit 60"	3
3	TA1	Four Hook Bar	1
4	WKC1LCVH	Partition wing kit - high roof	1
5	RKLCV	Rail Kit	1
6	28	Blue Bin	8
7	DV14	Divider	8
8	WRH5	Wire Reel Holder	1
9	19	Two Drawer Medium	1
10	9	Four Drawer Shallow	1
11	DK542	Door Kit	2





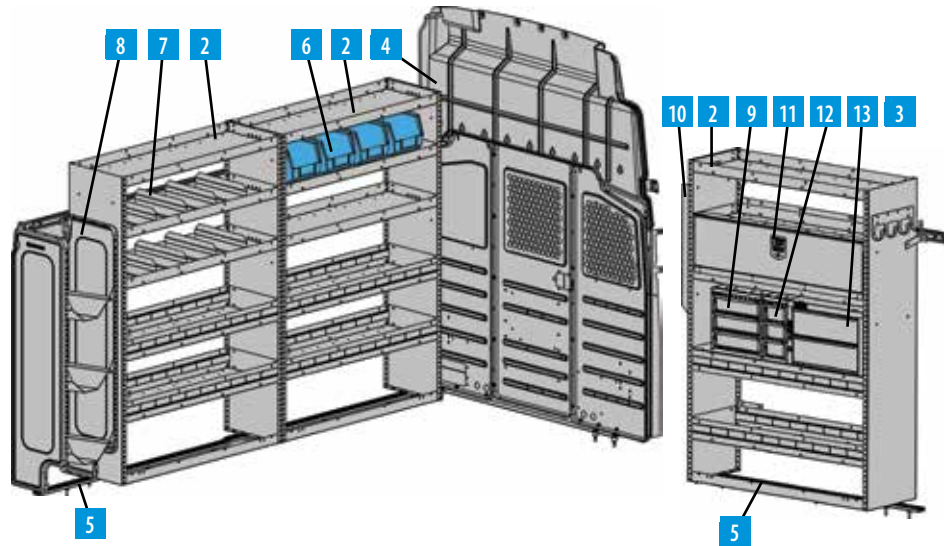
### 5077NH SECURITY PACKAGE 60" TALL SHELVING NV Cargo High Roof

ITEM	MODEL	DESCRIPTION	QTY
1	S1M2C2FSV	Partition	1
2	HD42NVH	HD Series Shelving Unit 60"	3
3	TA1	Four Hook Bar	1
4	WKC1LCVH	Partition wing kit - high roof	1
5	RKLCV	Rail Kit	1
6	28	Blue Bin	4
7	DV14	Divider	12
8	UH50	5" Hook	2
9	19	Two Drawer Medium	2
10	CB5	Five Slot Literature Rack	1
11	DK542	Door Kit	2



### 5079NH HVAC PACKAGE 60" TALL SHELVING NV Cargo High Roof

ITEM	MODEL	DESCRIPTION	QTY
1	S1M2C2FSV	Partition	1
2	HD42NVH	HD Series Shelving Unit 60"	3
3	TA1	Four Hook Bar	1
4	WKC1LCVH	Partition wing kit - high roof	1
5	RKLCV	Rail Kit	1
6	28	Blue Bin	4
7	DV14	Divider	8
8	TH51FP	Tank Rack	1
9	DC12	Drawer Component 12"	1
10	CB5	Five Slot Literature Rack	1
11	DK542	Door Kit	1
12	DC6	Drawer Component 6"	1
13	19	Two Drawer Medium	1



**ADRIAN STEEL PARTITIONS KEEP CARGO WHERE IT BELONGS, IN THE CARGO AREA!**



**S-M-C SERIES PARTITIONS**

Choose from solid or perforated top panels. Center M panels can be fixed or hinged with a key-locking door. Partitions are sold as panel kits and wing kits. Please see application chart to confirm the appropriate panel kit and wing kit for your vehicle. Optional extended wing kits offer 3" of additional space in the cab area to allow for more seat adjustability.

Note: Extended wing kits reduce the amount of cargo space. Please confirm the interior layout of the van package to confirm that the extended wing kit has adequate room needed for installation.

**PROMASTER PARTITION OPTIONS:**

**Fixed Center Panel**

- S1M1C1PM** All Solid Panels
- S1M2C2PM** Perforated Center and Curb Panels

**Hinged Center Panel "Door"**

- S1M1HC1PM** All Solid Panels
- S1M2HC2PM** Perforated Center and Curb Panels

**Wing Kits - Standard & High Roof**

- WKC1PM** Standard Position
- WKC1PM3** Extended Position - adds 3" to the cab area (reduces cargo area)
- WKC1PMR** Standard Position when Factory Partition was Removed
- WKC1PMR3** Extended Position when Factory Partition was Removed - adds 3" to the cab area (reduces cargo area)

**DDF-E10PM DRIVER DATA FILE FOR RAM PROMASTER**

- Designed to mount between the front seats.
- Rugged steel construction with a hinged worktop and key locking paddle handle.
- Convenient lid mounted clip holds papers in place on the writing surface.
- Data Files mount securely to the vehicle floor, and can be removed for service.
- Designed to be used with a power strip and a PA9 for electrical use.
- Measures 10.3" x 22.4" x 20.4".



**ADJUSTABLE SHELVES**

The **HAD shelving units** for the Promaster feature two ADseries adjustable shelves in the center of the shelf unit. These two shelves feature a 2" lip and, with only a screwdriver, can be adjusted up or down on one inch increments.

MODEL	OVERALL SIZE
HAD3259	32" x 59" x 14"
HAD4459	44" x 59" x 14"
HAD5059	50" x 59" x 14"

**HD Shelving**

The top and bottom shelf feature a 2" lip, the center two shelves feature a 4" lip. Each shelf can be adjusted up or down on one inch increments. Fits full size RAM ProMaster.

MODEL	OVERALL SIZE	DESCRIPTION
HD3259	32"W x 59"H x 14"D	Fits ProMaster
HD4459	44"W x 59"H x 14"D	Fits ProMaster
HD5059	50"W x 59"H x 14"D	Fits ProMaster





**PMLR-H61**

**Rotate Handle**

**Primary Drop**

**Secondary Drop & Unload Ladder**

**LOAD AND UNLOAD LADDERS THE RIGHT WAY!**

- Rollers and dampers create a smooth transition to the stowed and down positions.
- Designed to allow ladders to be loaded and unloaded the right way, from the back of the vehicle.
- Two handed operation is required to release the ladder for safer loading and unloading.
- Ladder clamps securely hold the ladder for transportation. Clamping of ladder is automatic.
- Plastisol clamps and plastic pads protect fiberglass ladders from resting on metal, protecting the ladder.
- The Loadrite Ladder Rack can carry 16' - 36' extension ladders.
- The all aluminum design maximizes payload.
- Order **PMLRSLKHR** Step Ladder Kit to carry shorter ladders.

**LOADRITE FOR PROMASTER STANDARD ROOF**

MODEL	DESCRIPTION
PMLRSL61CS	Single drop-down, 118"WB curbside
PMLRSL61SS	Single drop-down, 118"WB streetside
PMLR-SWS63	Double drop-down, 118"WB

PMLRLL61CS	Single drop-down, 136"WB curbside
PMLRLL61SS	Single drop-down, 136"WB streetside
PMLR-LWS63	Double drop-down, 136"WB

**LOADRITE FOR PROMASTER RAIL KITS**

MODEL	DESCRIPTION
PMLRRKSWB	118"WB Rail Kit
PMLRRKMWB	136"WB Rail Kit
PMLRRKLB	159"WB Rail Kit
PMLRRKXLB	159X"WB Rail Kit

NOTE: Must order the appropriate Rail Kit to complete the ladder rack.

**LOADRITE FOR PROMASTER HIGH ROOF**

MODEL	DESCRIPTION
PMLR-H61CS	Single drop-down, 136" & 159"WB, curb
PMLR-H61SS	Single drop-down, 136" & 159"WB, street
PMLR-H63	Double drop-down, 136" & 159"WB

RAM ProMaster

**UTILITY RACK - PROMASTER STANDARD ROOF**

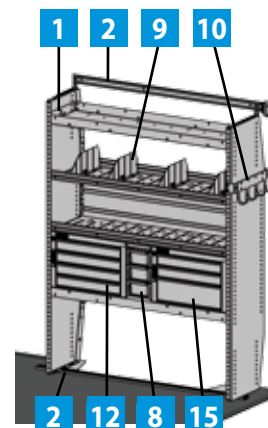
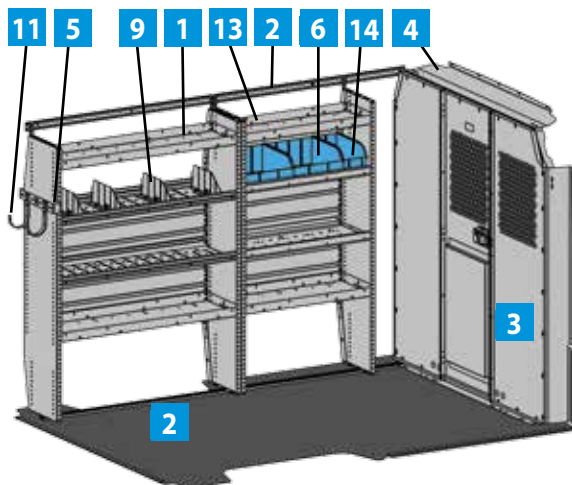


MODEL	DESCRIPTION	COLOR
3BARRPM-B	3 Bar Utility Rack w/rear roller bar	Black
3BARRPM-W	3 Bar Utility Rack w/rear roller bar	White
2BARRPM-B	2 Bar Utility Rack w/rear roller bar	Black
2BARRPM-W	2 Bar Utility Rack w/rear roller bar	White
1BARRPM-B	1 Crossbar	Black
1BARRPM-W	1 Crossbar	White
80-1	Aluminum Conduit Carrier 10'6"	
80-2	Aluminum Conduit Carrier 12'6"	

- This all aluminum rack is designed to reduce corrosion by eliminating much of the welding.
- The uprights are fully plastisolled to protect against wear and reduce ladder fatigue.
- Uprights feature many attachment points for securing cargo straps.
- Weather resistant cross bar is not cut to fit or perforated in any way improving longevity of the rack.
- The Rear Roller Bar eases loading and unloading of the rack.
- The Rear Roller comes standard with the 2 and 3 Bar racks.
- Available in our durable black or white powder coat paint.
- Optional center bars support shorter lengths and provide additional support.

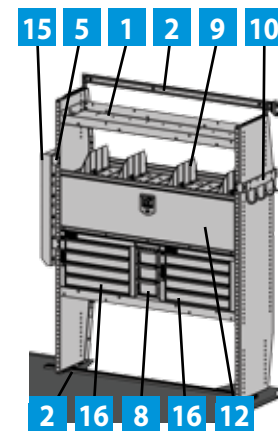
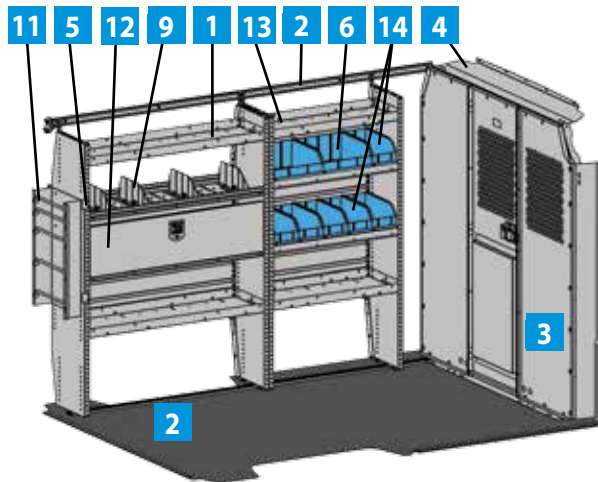
**5462  
GENERAL SERVICE PACKAGE  
RAM PROMASTER 118" WB**

ITEM	MODEL	DESCRIPTION	QTY
1	HAD4459	Hybrid Shelf Unit 44"	2
2	RKPM5WB	Rail Kit 118" PM	1
3	S1M2HC2PM	Partition with door	1
4	WKC1PM	Partition Wing Kit	1
5	BRK14EPS	End Panel Bracket	1
6	SBIN120614	Snap In Bin 12"	2
7	SRAILAD32	Snap Rail for Blue Bins	1
8	DC6	6" Drawer Component	1
9	DV14C8	Divider Kit of 8	1
10	TA1WAD	3 Hook Bar	1
11	UH50	5" Hook	2
12	9	Four Drawer Shallow	1
13	HAD3259	Hybrid Shelf Unit 32"	1
14	SBIN060614	Snap In Bin 6"	1
15	919	Three Drawer Combo	1



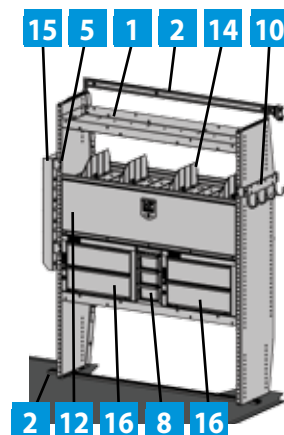
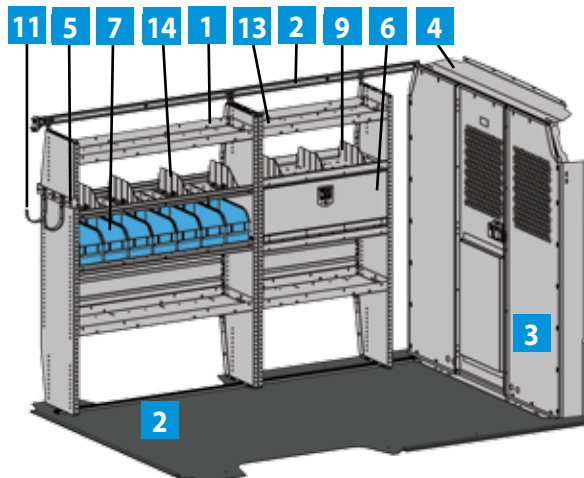
**5463  
ELECTRICAL CONTRACTOR PACKAGE  
RAM PROMASTER 118" WB**

ITEM	MODEL	DESCRIPTION	QTY
1	HAD4459	Hybrid Shelf Unit 44"	2
2	RKPM5WB	Rail Kit 118" PM	1
3	S1M2HC2PM	Partition with door	1
4	WKC1PM	Partition Wing Kit	1
5	BRK14EPS	End Panel Bracket	4
6	SBIN120614	Snap In Bin 12"	2
7	SRAILAD32	Snap Rail for Blue Bins	2
8	DC6	6" Drawer Component	1
9	DV14C8	Divider Kit of 8	1
10	TA1WAD	3 Hook Bar	1
11	WRH5	Wire Reel Holder	1
12	DK4210	Door Kit	2
13	HAD3259	Hybrid Shelf Unit 32"	1
14	SBIN060614	Snap In Bin 6"	6
15	CB5	Literature Rack	1
16	9	Four Drawer Shallow	2



**5464  
SECURITY PACKAGE  
RAM PROMASTER 118" WB**

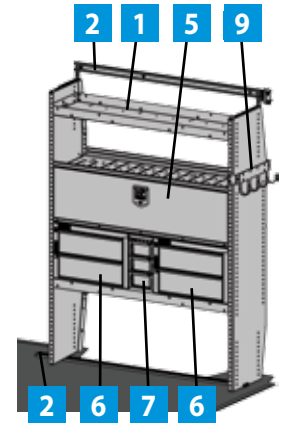
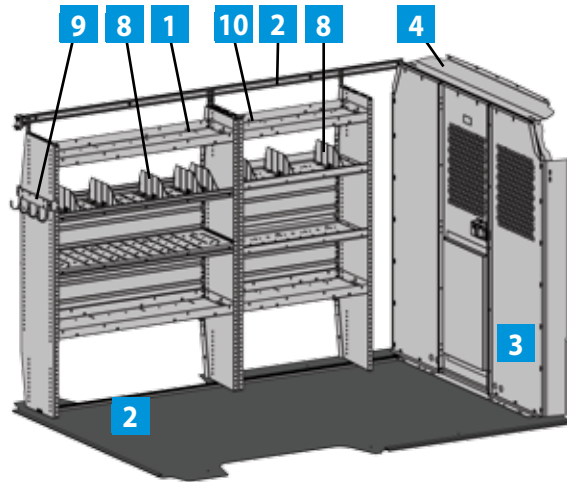
ITEM	MODEL	DESCRIPTION	QTY
1	HAD4459	Hybrid Shelf Unit 44"	2
2	RKPM5WB	Rail Kit 118" PM	1
3	S1M2HC2PM	Partition with door	1
4	WKC1PM	Partition Wing Kit	1
5	BRK14EPS	End Panel Bracket	3
6	DK3010	Door Kit 10"	1
7	BR76012	Snap-In Bin System	1
8	DC6	6" Drawer Component	1
9	DV14C1	Divider, Single	4
10	TA1WAD	3 Hook Bar	1
11	UH50	5" Hook	2
12	DK4210	Door Kit	1
13	HAD3259	Hybrid Shelf Unit 32"	1
14	DV14C8	Divider Kit of 8	1
15	CB5	Literature Rack	1
16	19	Two Drawer Medium	2



RAM ProMaster

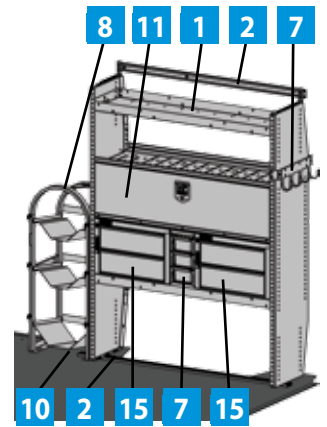
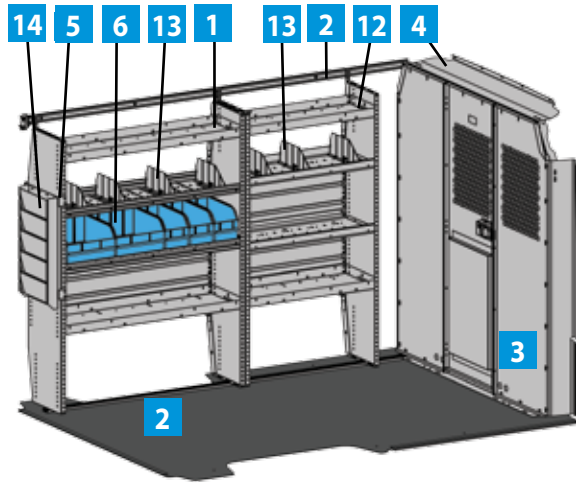
**5465  
CABLE PACKAGE  
RAM PROMASTER 118" WB**

ITEM	MODEL	DESCRIPTION	QTY
1	HAD4459	Hybrid Shelf Unit 44"	2
2	RKPMSWB	Rail Kit 118" PM	1
3	S1M2HC2PM	Partition with door	1
4	WKC1PM	Partition Wing Kit	1
5	DK4210	Door Kit	1
6	19	Two Drawer Medium	2
7	DC6	6" Drawer Component	1
8	DV14C8	Divider Kit of 8	1
9	TA1WAD	3 Hook Bar	2
10	HAD3259	Hybrid Shelf Unit 32"	1



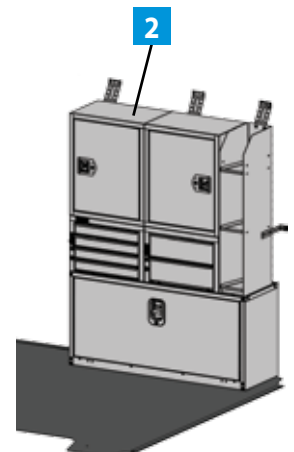
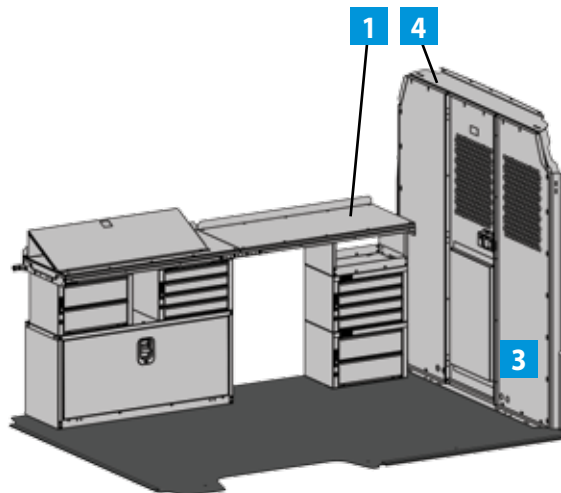
**5466  
HVAC PACKAGE  
RAM PROMASTER 118" WB**

ITEM	MODEL	DESCRIPTION	QTY
1	HAD4459	Hybrid Shelf Unit 44"	2
2	RKPMSWB	Rail Kit 118" PM	1
3	S1M2HC2PM	Partition with door	1
4	WKC1PM	Partition Wing Kit	1
5	BRK14EPS	End Panel Bracket	2
6	BR36212	Snap-In Bin System	1
7	DC6	6" Drawer Component	1
8	WTR230150	Tank Rack	1
9	TA1WAD	3 Hook Bar	1
10	RKAWTR	Rail Kit Adapter	1
11	DK4210	Door Kit	1
12	HAD3259	Hybrid Shelf Unit 32"	1
13	DV14C8	Divider Kit of 8	1
14	CB5	Literature Rack	1
15	19	Two Drawer Medium	2



**5467  
LOCKSMITH PACKAGE  
RAM PROMASTER 118" WB**

ITEM	MODEL	DESCRIPTION	QTY
1	MD608PM	Workbench Module	1
2	MD506PM	Drawer Module	1
3	S1M2HC2PM	Partition w/ door	1
4	WKC1PM	Partition Wing Kit	1

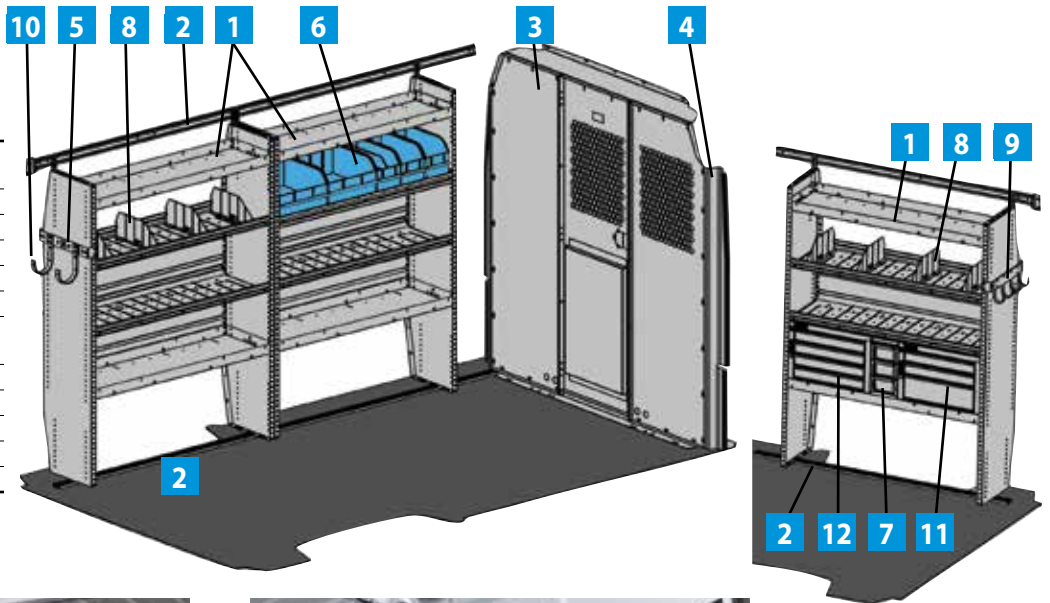


RAM ProMaster

**136" WB RAM ProMaster**

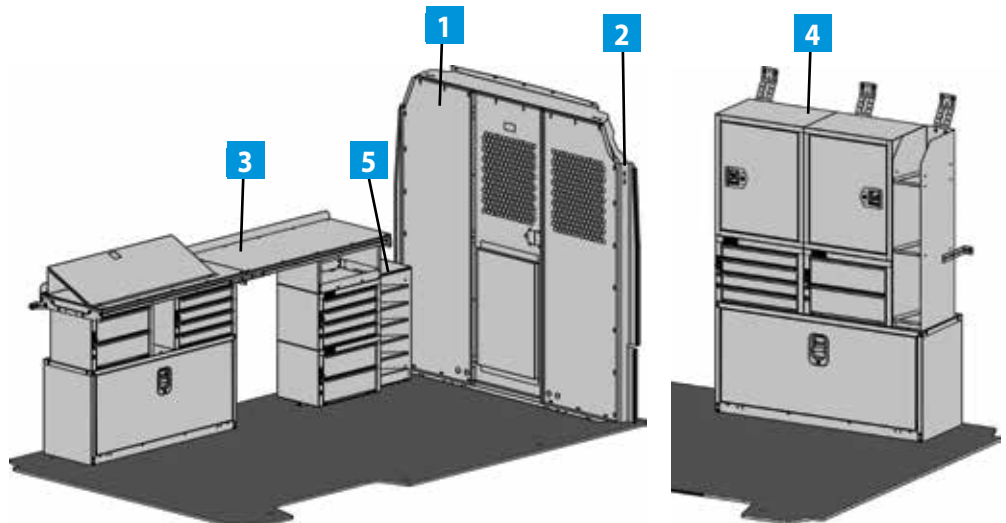
**5180  
GENERAL SERVICE PACKAGE  
RAM PROMASTER 136" WB**

ITEM	MODEL	DESCRIPTION	QTY
1	HAD4459	ADseries Shelf Unit 44"	3
2	RKPMWMB	Rail Kit 136" PM	1
3	S1M2HC2PM	Partition with door	1
4	WKC1PM	Partition Wing Kit	1
5	BRK14EPS	End Panel Bracket	1
6	BR36212	Blue Bin System	1
7	DC6	6" Drawer Component	1
8	DV14C8	Divider Kit of 8	1
9	TA1WAD	3 Hook Bar	1
10	UH50	5" Hook	2
11	919	3 Drawer Combo	1
12	9	4 Drawer Shallow	1



**5274  
LOCKSMITH PACKAGE  
RAM PROMASTER 136" WB AND  
RAM PROMASTER 159" WB**

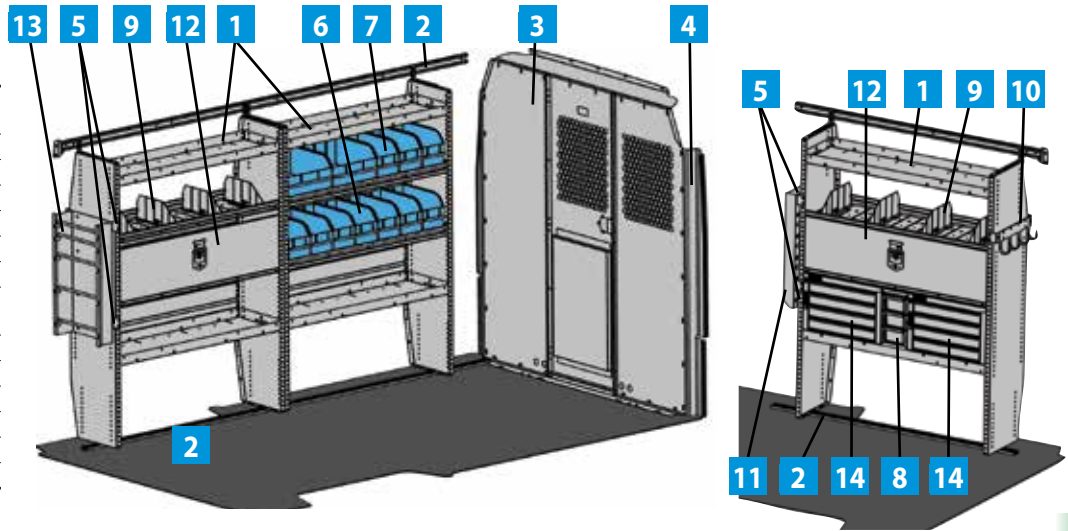
ITEM	MODEL	DESCRIPTION	QTY
1	S1M2HC2PM	Partition with door	1
2	WKC1PM	Partition Wing Kit	1
3	MD608PM	84" Workbench Module	1
4	MD506PM	Drawer Module	1
5	17A	Six Shelf Catalog File	1



**RAM ProMaster**

**5181  
ELECTRICAL CONTRACTOR  
PACKAGE  
RAM PROMASTER 136" WB**

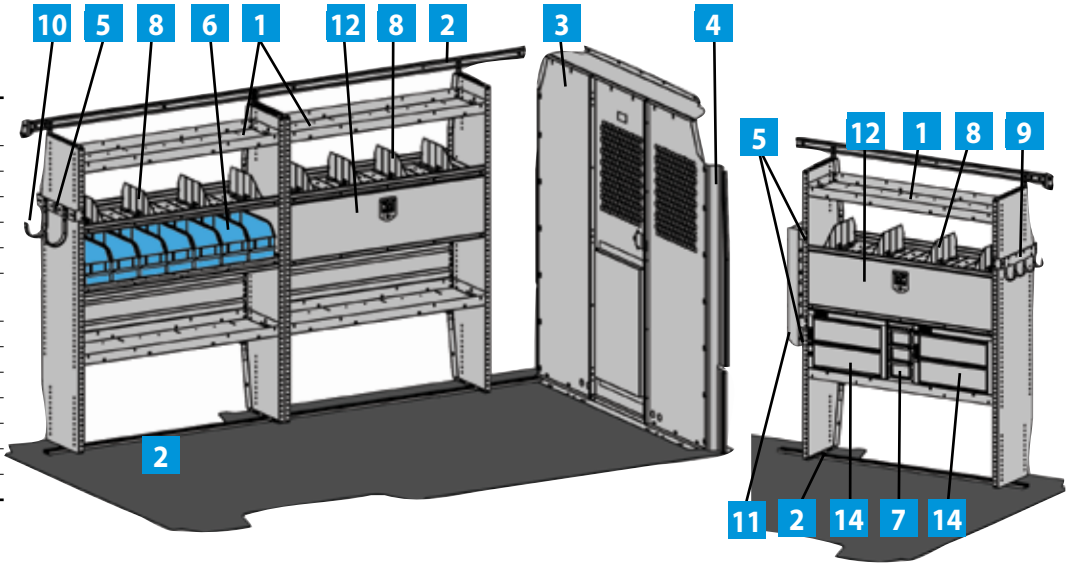
ITEM	MODEL	DESCRIPTION	QTY
1	HAD4459	ADseries Shelf Unit 44"	3
2	RKPMMWB	Rail Kit 136" PM	1
3	S1M2HC2PM	Partition with door	1
4	WKC1PM	Partition Wing Kit	1
5	BRK14EPS	End Panel Bracket	4
6	BR76012	Blue Bin System	4
7	BR36212	Blue Bin System	1
8	DC6	6" Drawer Component	1
9	DV14C8	Divider Kit of 8	1
10	TA1WAD	3 Hook Bar	1
11	CB5	Literature Rack	1
12	DK4210	Door Kit	2
13	WRH5	Wire Reel Holder	1
14	9	4 Drawer Shallow	2



RAM ProMaster

**5182  
SECURITY PACKAGE  
RAM PROMASTER 136" WB**

ITEM	MODEL	DESCRIPTION	QTY
1	HAD4459	ADseries Shelf Unit 44"	3
2	RKPMMWB	Rail Kit 136" PM	1
3	S1M2HC2PM	Partition with door	1
4	WKC1PM	Partition Wing Kit	1
5	BRK14EPS	End Panel Bracket	3
6	BR76012	Blue Bin System	1
7	DC6	6" Drawer Component	1
8	DV14C8	Divider Kit of 8	1
9	TA1WAD	3 Hook Bar	1
10	UH50	5" Hook	2
11	CB5	Literature Rack	1
12	DK4210	Door Kit	2
13	DV14C1	Shelf Divider	4
14	19	2 Drawer Medium	2

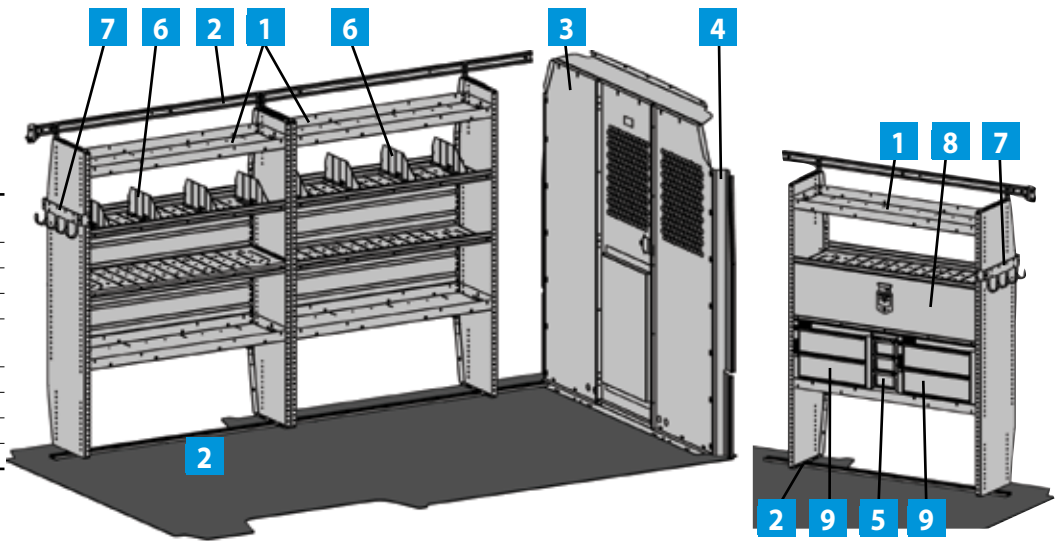


**RAM ProMaster**



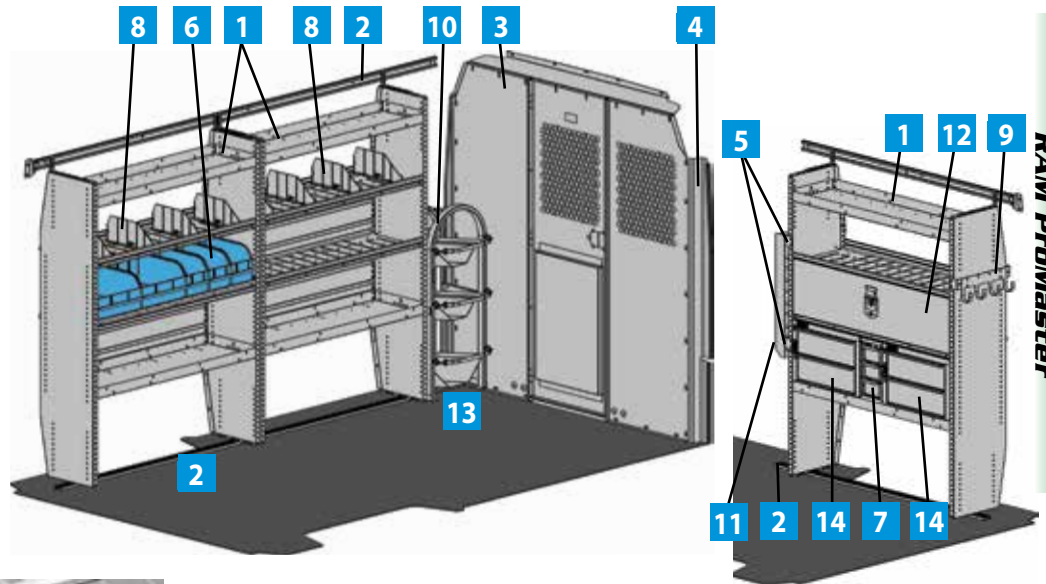
**5183  
CABLE PACKAGE  
RAM PROMASTER 136" WB**

ITEM	MODEL	DESCRIPTION	QTY
1	HAD4459	ADseries Shelf Unit 44"	3
2	RKPMMWB	Rail Kit 136" PM	1
3	S1M2HC2PM	Partition with door	1
4	WKC1PM	Partition Wing Kit	1
5	DC6	6" Drawer Component	1
6	DV14C8	Divider Kit of 8	1
7	TA1WAD	3 Hook Bar	2
8	DK4210	Door Kit	1
9	19	2 Drawer Medium	2



**5184  
HVAC PACKAGE  
RAM PROMASTER 136" WB**

ITEM	MODEL	DESCRIPTION	QTY
1	HAD4459	ADseries Shelf Unit 44"	3
2	RKPMMWB	Rail Kit 136" PM	1
3	S1M2HC2PM	Partition with door	1
4	WKC1PM	Partition Wing Kit	1
5	BRK14EPS	End Panel Bracket	2
6	BR36212	Blue Bin System	1
7	DC6	6" Drawer Component	1
8	DV14C8	Divider Kit of 8	1
9	TA1WAD	3 Hook Bar	1
10	WTR230150	Welded Tank Rack	1
11	CB5	Literature Rack	1
12	DK4210	Door Kit	1
13	RKAWTR	Tank Rack Adapter	1
14	19	2 Drawer Medium	2

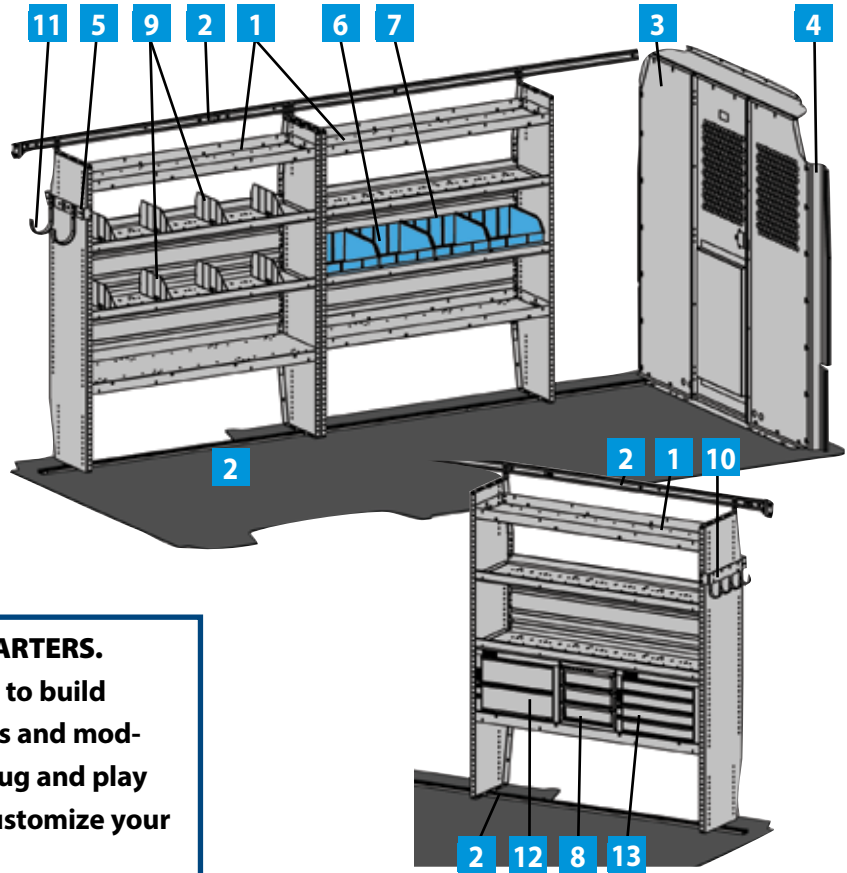


RAM ProMaster



**5185  
GENERAL SERVICE PACKAGE  
RAM PROMASTER 159" WB**

ITEM	MODEL	DESCRIPTION	QTY
1	HAD5059	ADseries Shelf Unit 50"	3
2	RKPMLWB	Rail Kit 159" PM	1
3	S1M2HC2PM	Partition with door	1
4	WKC1PM	Partition Wing Kit	1
5	BRK14EPS	End Panel Bracket	1
6	SBIN120614	Blue Bin 12"	4
7	SRAILAD50	Snap Rail for Blue Bins	1
8	DC12	12" Drawer Component	1
9	DV14C8	Divider Kit of 8	1
10	TA1WAD	3 Hook Bar	1
11	UH50	5" Hook	2
12	19	2 Drawer Medium	1
13	9	4 Drawer Shallow	1

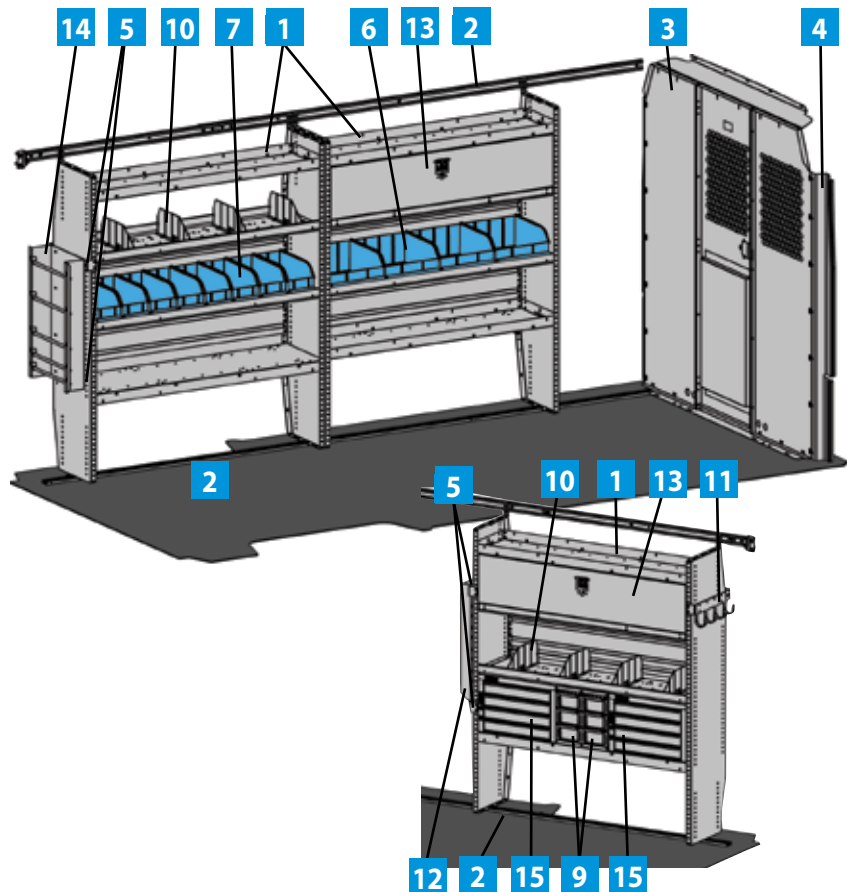


**TRADE PACKAGES ARE THOUGHT STARTERS.**

Use these packages as a starting point to build your own interior using the accessories and modules shown in this catalog. With our plug and play shelves and accessories, it is easy to customize your storage options.

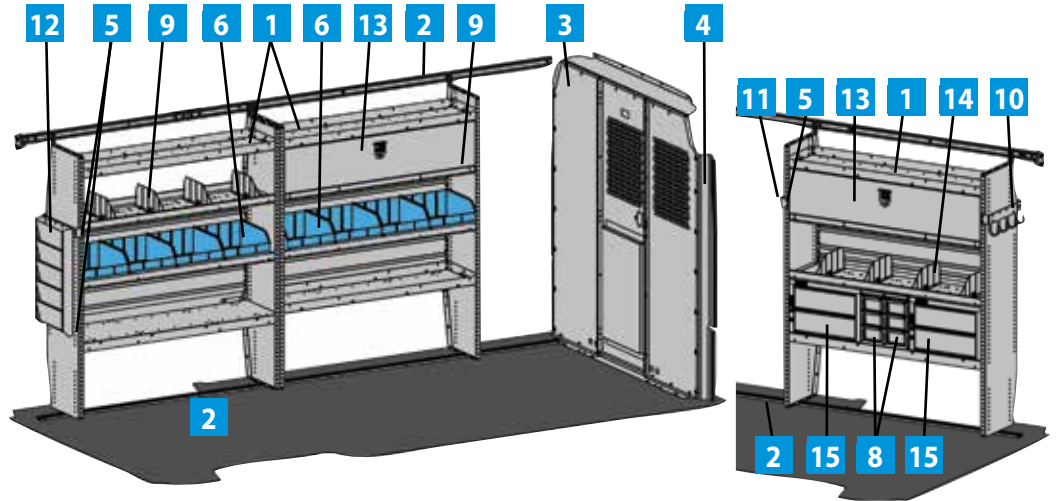
**5186  
ELECTRICAL CONTRACTOR PACKAGE  
RAM PROMASTER 159" WB**

ITEM	MODEL	DESCRIPTION	QTY
1	HAD5059	ADseries Shelf Unit 50"	3
2	RKPMLWB	Rail Kit 159" PM	1
3	S1M2HC2PM	Partition with door	1
4	WKC1PM	Partition Wing Kit	1
5	BRK14EPS	End Panel Bracket	4
6	SBIN120614	Blue Bin 12"	4
7	SBIN060614	Blue Bin 6"	8
8	SRAILAD50	Snap Rail for Blue Bins	2
9	DC6	6" Drawer Component	2
10	DV14C8	Divider Kit of 8	1
11	TA1WAD	3 Hook Bar	1
12	CB5	Literature Rack	1
13	DK4810	Door Kit	2
14	WRH5	Wire Reel Holder	1
15	9	4 Drawer Shallow	2



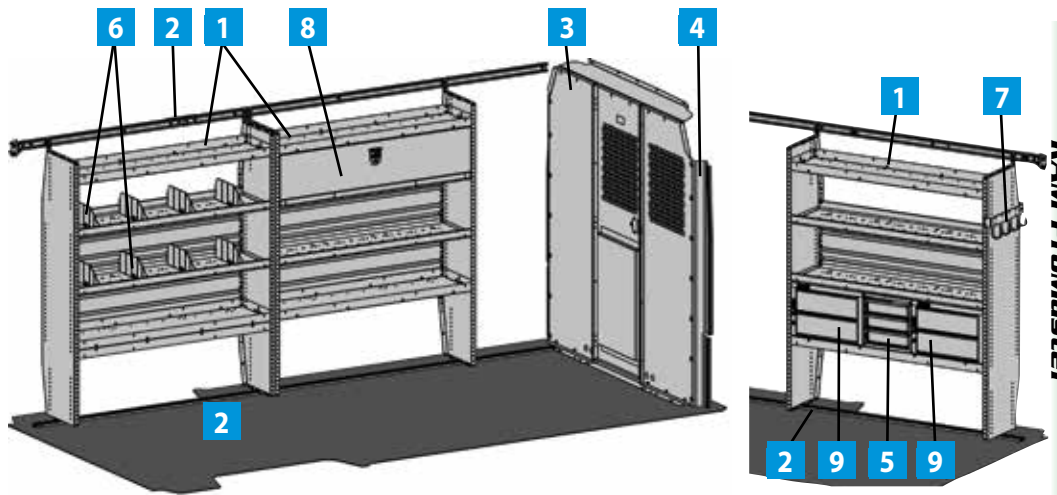
**5187  
SECURITY PACKAGE  
RAM PROMASTER 159" WB**

ITEM	MODEL	DESCRIPTION	QTY
1	HAD5059	ADseries Shelf Unit 50"	3
2	RKPLMLWB	Rail Kit 159" PM	1
3	S1M2HC2PM	Partition with door	1
4	WKC1PM	Partition Wing Kit	1
5	BRK14EPS	End Panel Bracket	3
6	SBIN120614	Blue Bin 12"	8
7	SRAILAD50	Snap Rail for Blue Bins	2
8	DC6	6" Drawer Component	2
9	DV14C8	Divider Kit of 8	1
10	TA1WAD	3 Hook Bar	1
11	UH50	5" Hook	2
12	CB5	Literature Rack	1
13	DK4810	Door Kit	2
14	DV14C1	Shelf Divider	4
15	19	2 Drawer Medium	2



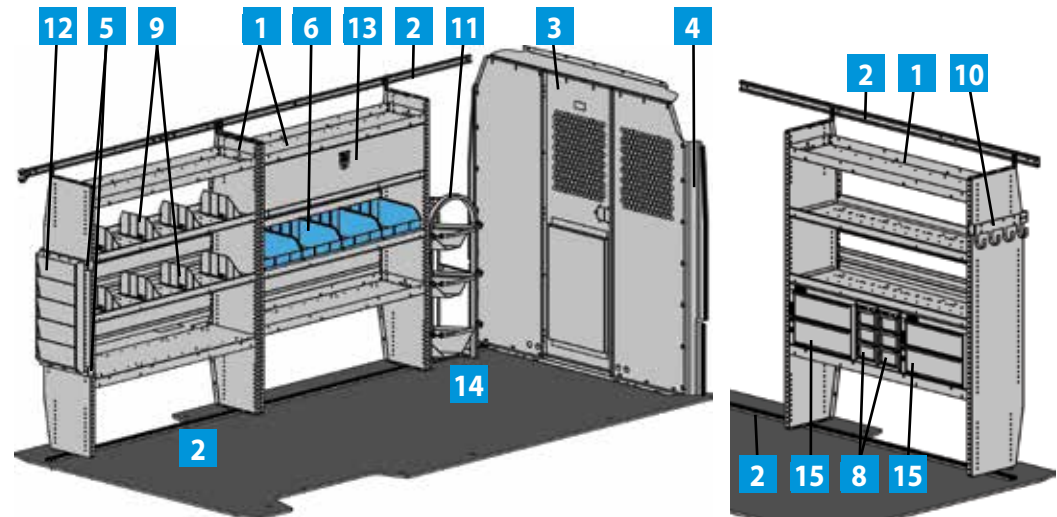
**5188  
CABLE PACKAGE  
RAM PROMASTER 159" WB**

ITEM	MODEL	DESCRIPTION	QTY
1	HAD5059	ADseries Shelf Unit 50"	3
2	RKPLMLWB	Rail Kit 159" PM	1
3	S1M2HC2PM	Partition with door	1
4	WKC1PM	Partition Wing Kit	1
5	DC12	12" Drawer Component	1
6	DV14C8	Divider Kit of 8	1
7	TA1WAD	3 Hook Bar	1
8	DK4810	Door Kit	1
9	19	2 Drawer Medium	2



**5189  
HVAC PACKAGE  
RAM PROMASTER 159" WB**

ITEM	MODEL	DESCRIPTION	QTY
1	HAD5059	ADseries Shelf Unit 50"	3
2	RKPLMLWB	Rail Kit 159" PM	1
3	S1M2HC2PM	Partition w/ door	1
4	WKC1PM	Partition Wing Kit	1
5	BRK14EPS	End Panel Bracket	2
6	SBIN120614	Blue Bin 12"	4
7	SRAILAD50	Snap Rail for Blue Bins	1
8	DC6	6" Drawer Component	2
9	DV14C1	Shelf Divider	8
10	TA1WAD	3 Hook Bar	1
11	WTR230150	Welded Tank Rack	1
12	CB5	Literature Rack	1
13	DK4810	Door Kit	1
14	RKAWTR	Tank Rack Adapter	1
15	19	2 Drawer Medium	2



RAM ProMaster

**FOR A MORE COMFORTABLE MOBILE OFFICE**

**NEW COMPOSITE PARTITION FOR TRANSIT CONNECT**

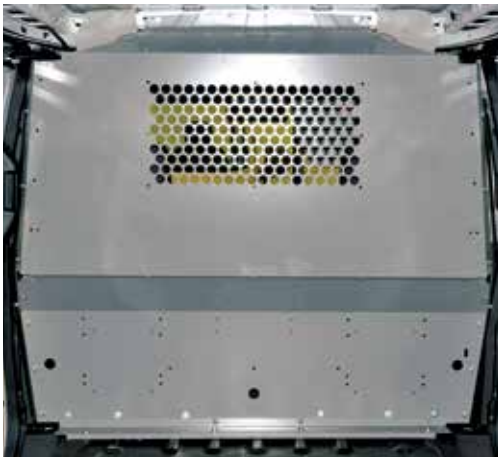


- *Better Climate Control (than perforated partitions.)*
- *Reduces noise from the cargo area.*
- *Available with or without a clear poly rear-view window.*
- *Add hooks along the integrated AD rail.*
- *Mounting location by the door for a fire extinguisher (not included.)*

Your Transit Connect mobile office is now more comfortable with an Adrian Steel composite partition. Sound deadening reduces driver distractions. Climate control reduces vehicle idle time for warm up and cool down. Generous leg room for less stress behind the wheel. The integrated steel frame provides the same level of performance that you are accustomed to from Adrian Steel.

**PARTC** - Composite Partition with Window

**PARTC-NW** - Composite Partition without Window



**STEEL PARTITION FOR TRANSIT CONNECT**

The **P2TCS14** features all steel panels that safeguard the cab area against moving and shifting cargo. The recessed design allows for maximum adjustability of the front seats and provides storage space for a 6 foot step ladder in the back of the LWB Transit Connect. The perforated window allows for visibility of your cargo area and rear windows while the solid steel construction provides better climate control and sound deadening. The steel header and full perimeter wings provide optimal security. Fits 2014 and newer Transit Connect.

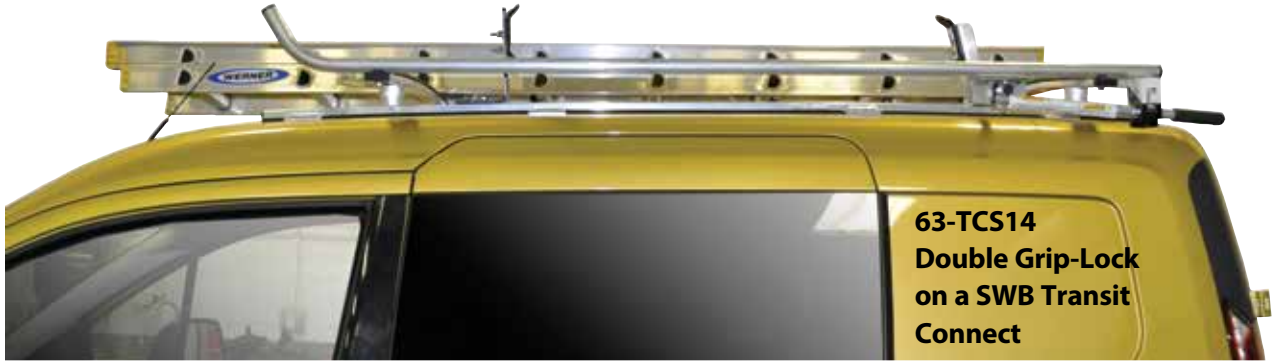
**WIRE MESH PARTITION FOR TRANSIT CONNECT**

The **P2TCFW14** provides maximum visibility while safeguarding your van cab area against moving and shifting cargo. The recessed design allows for maximum adjustability of the front seats and provides storage space for a 6 foot step ladder in the back of the LWB Transit Connect. The **P2TCFW14** is lightweight and economical without sacrificing safety and security. Fits 2014 and newer Transit Connect.



**GRIP YOUR LADDERS SECURELY WITH ADRIAN'S LOCKING STYLE LADDER RACKS.**

Adrian's Grip-Lock racks protect the sides and roof of your van during loading and unloading ladders. All Grip-Lock racks feature a lockable, gripping mechanism which firmly secures one or two ladders to the top of the van. Racks easily adjust for ladders of different sizes.



**TRANSIT CONNECT GRIP-LOCK RACK FEATURES AND BENEFITS**

- Heavy-Duty actuating arm firmly grips ladder rungs to prevent shifting of ladder on rack.
- Gripping mechanism is lockable.
- Composite extrusions on front and rear crossbows and uprights protect ladders.
- Rung grips easily adjust to accommodate different types of ladders.
- Features an all aluminum design with a natural aluminum finish.
- There are no straps to deal with, clamping of ladder is automatic.
- Accommodates 24 ft. extension ladder on the SWB and a 28 ft.\* extension ladder on the LWB.
- To carry a 6 ft. step ladder on the LWB only, order 1BTCGL14.

**2014-ON TRANSIT CONNECT GRIP-LOCK LADDER RACKS**

<b>61-TCS14</b>	<b>Single rack, SWB</b>
<b>63-TCS14</b>	<b>Double rack, SWB</b>
<b>61-TCL14</b>	<b>Single rack, LWB</b>
<b>63-TCL14</b>	<b>Double rack, LWB</b>

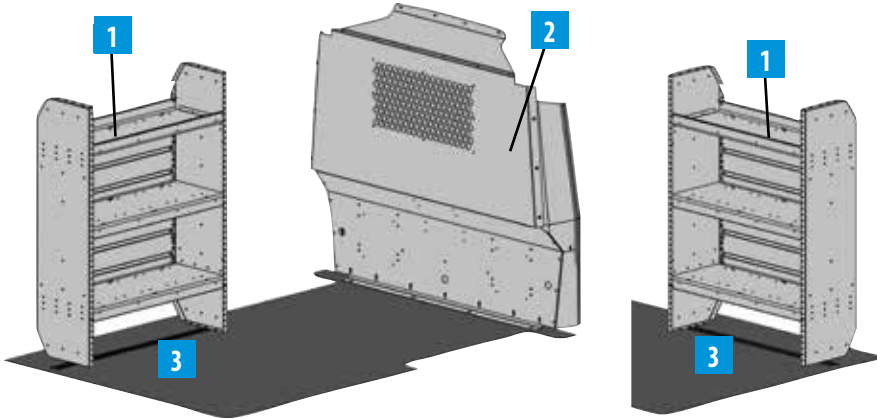
**2014-ON TRANSIT CONNECT 2 BAR ALUMINUM UTILITY RACK (NOT SHOWN)**

<b>2BTCS14</b>	<b>Utility Rack SWB</b>
<b>2BTCL14</b>	<b>Utility Rack LWB</b>

\*Note: This rack can accommodate 28 ft. extension ladders with extra length extending off the rear of the vehicle for balance. Check with local regulations regarding rear overhang of loads.



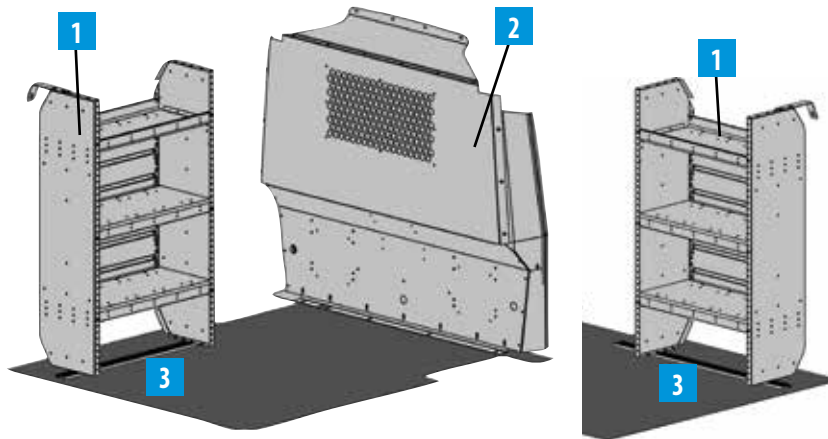
Visit [adriansteel.com](http://adriansteel.com) for 2013 and older Transit Connect products.



**5218  
COMMERCIAL SHELVING  
PACKAGE - LWB**

2014-on Transit Connect LWB

ITEM	MODEL	DESCRIPTION	QTY
1	AD1232TC14	ADseries Shelf 32"	2
2	P2TCS14	Steel Partition	1
3	RKTC14	Rail Kit 38"	2

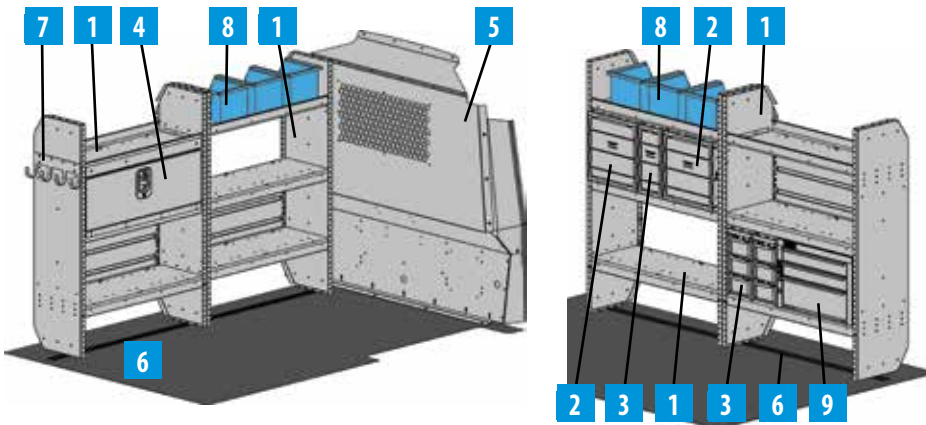


**5224  
COMMERCIAL SHELVING  
PACKAGE - SWB**

2014-on Transit Connect SWB

ITEM	MODEL	DESCRIPTION	QTY
1	AD1226TC14	ADseries Shelf 26"	2
2	P2TCS14	Steel Partition	1
3	RKTC14	Rail Kit 38"	2

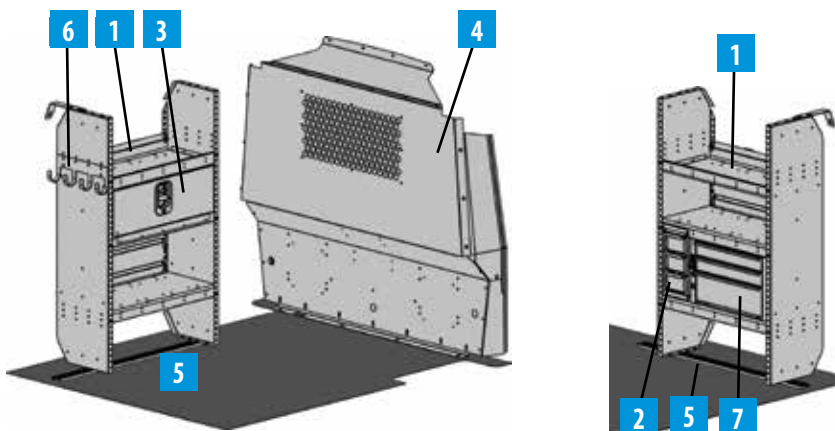
Ford Transit Connect



**5219  
GENERAL SERVICE PACKAGE -  
LWB**

2014-on Transit Connect LWB

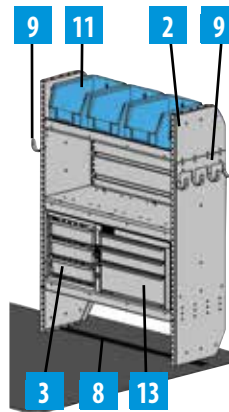
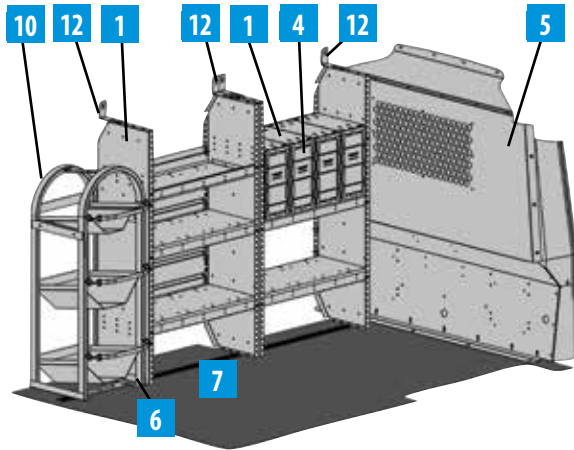
ITEM	MODEL	DESCRIPTION	QTY
1	AD1232TC14	ADseries Shelf 32"	4
2	DC12	Drawer Component 12"	2
3	DC6	Drawer Component 6"	3
4	DK32TC	Door Kit	1
5	P2TCS14	Steel Partition	1
6	RKDC14	Rail Kit 70"	2
7	TA1	Four Hook Bar	1
8	28	Blue Bin	6
9	919	Three Drawer Combo	1



**5225  
GENERAL SERVICE PACKAGE -  
SWB**

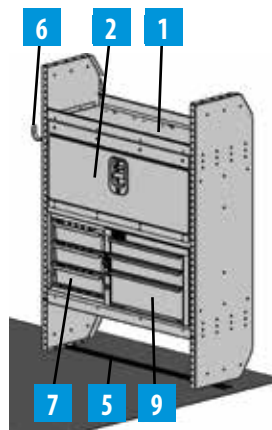
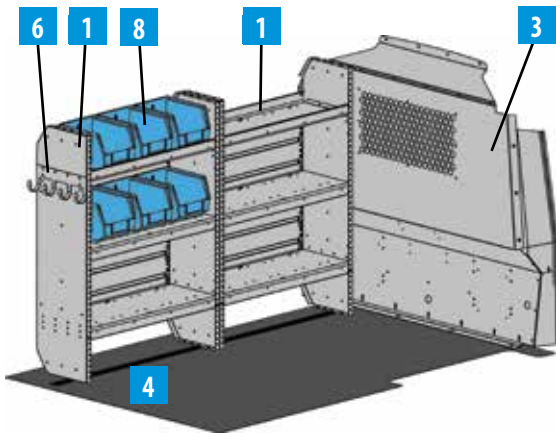
2014-on Transit Connect SWB

ITEM	MODEL	DESCRIPTION	QTY
1	AD1226TC14	ADseries Shelf 26"	2
2	DC6	Drawer Component 6"	1
3	DK26TC	Door Kit	1
4	P2TCS14	Steel Partition	1
5	RKTC14	Rail Kit 38"	2
6	TA1	Four Hook Bar	1
7	919	Three Drawer Combo	1



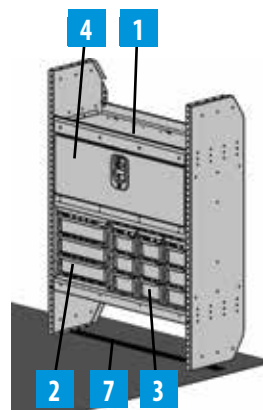
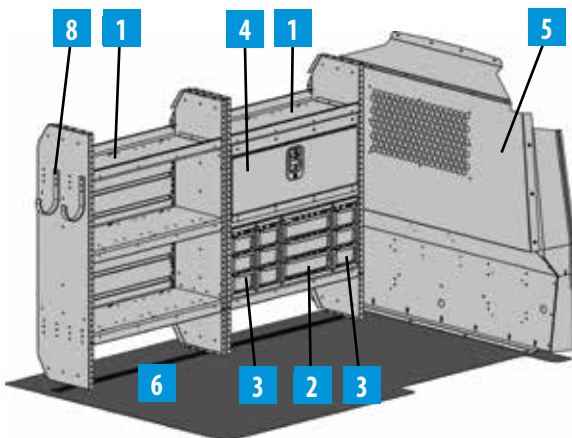
**5217 HVAC PACKAGE - LWB**  
2014-on Transit Connect LWB

ITEM	MODEL	DESCRIPTION	QTY
1	AD1226TC14	ADseries Shelf 26"	2
2	AD1232TC14	ADseries Shelf 32"	1
3	DC12	Drawer Component 12"	1
4	DC6	Drawer Component 6"	4
5	P2TCS14	Steel Partition	1
6	RKAWTR	Rail Kit Adapter, WTR	1
7	RKDTC14	Rail Kit 70"	1
8	RKTC14	Rail Kit 38"	1
9	TA1	Four Hook Bar	2
10	WTR130250	Welded Tank Rack	1
11	28	Blue Bin	3
12	46361-G	Mounting Bracket	3
13	919	Three Drawer Combo	1



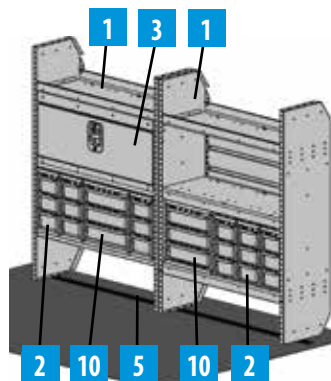
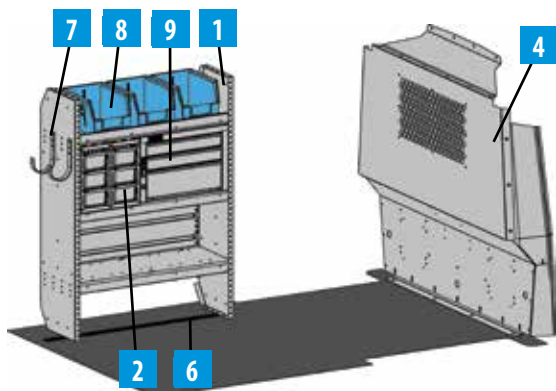
**5220 ELECTRICAL CONTRACTOR PACKAGE - LWB**  
2014-on Transit Connect LWB

ITEM	MODEL	DESCRIPTION	QTY
1	AD1232TC14	ADseries Shelf 32"	3
2	DK32TC	Door Kit	1
3	P2TCS14	Steel Partition	1
4	RKDTC14	Rail Kit 70"	1
5	RKTC14	Rail Kit 38"	1
6	TA1	Four Hook Bar	2
7	DC12	Drawer Component 12"	1
8	28	Blue Bin	6
9	919	Three Drawer Combo	1



**5221 TELECOM PACKAGE - LWB**  
2014-on Transit Connect LWB

ITEM	MODEL	DESCRIPTION	QTY
1	AD1232TC14	ADseries Shelf 32"	3
2	DC12	Drawer Component 12"	2
3	DC6	Drawer Component 6"	6
4	DK32TC	Door Kit	2
5	P2TCS14	Steel Partition	1
6	RKDTC14	Rail Kit 70"	1
7	RKTC14	Rail Kit 38"	1
8	UH50	5" Hook	2



**5222 PLUMBING PACKAGE - LWB**  
2014-on Transit Connect LWB

ITEM	MODEL	DESCRIPTION	QTY
1	AD1232TC14	ADseries Shelf 32"	3
2	DC6	Drawer Component 6"	8
3	DK32TC	Door Kit	1
4	P2TCS14	Steel Partition	1
5	RKDTC14	Rail Kit 70"	1
6	RKTC14	Rail Kit 38"	1
7	UH50	5" Hook	2
8	28	Blue Bin	3
9	919	Three Drawer Combo	1
10	DC12	Drawer Component 6"	2

All illustrations, photos and specifications in this publication are based on the latest product information available at the time of content approval. The right is reserved to make changes at any time, without notice, in materials, specifications and models, and also to discontinue models.

**STEEL AND WIRE PARTITION OPTIONS FOR THE CITY EXPRESS & NV200**



**P2NV2S  
STEEL PARTITION  
FOR CITY EXPRESS & NV200**

- Features all steel panels to safeguard the cab area against moving or shifting cargo.
- Recessed design allows for maximum adjustability of front seats.
- Perforated window provides full visibility of your cargo area and rear windows.
- Steel header and full perimeter wings provide optimal security.
- Recessed bottom panel provides room for a 6 foot step ladder or other accessories.

Note: Wing kits are not needed.



**P2NV2FW  
WIRE MESH PARTITION  
FOR CITY EXPRESS & NV200**

- Provides maximum visibility while safeguarding your van cab area against moving, shifting cargo.
- Recessed design allows for maximum adjustability of your driver and passenger seats.
- Lightweight and economical, without sacrificing safety and security.

City Express / NV200

**Ladder Racks**



**SHOWN:  
63-NV2 Double  
Grip-Lock**

The **Grip-Lock Rack** features an all aluminum design with a natural finish for the best in quality and longevity. The Grip-Lock mounts directly to pre-existing mounting points in the van roof, no drilling is required for installation. Available in single and double configurations.

- 61-NV2 - Single Grip-Lock rack**
- 63-NV2 - Double Grip-Lock rack**



The most flexible rack in the market, the **2BNV2** features an all aluminum design that allows you to maximize the roof of the City Express or NV200. No drill installation and an innovative rail system allows the user to easily reposition the crossbows where they are needed.

**2BNV2 - Aluminum Utility Rack**



**4959**  
**CARGO MANAGEMENT PACKAGE #1**  
 One ADseries Shelf and Steel Partition  
**City Express & NV200**

ITEM	MODEL	DESCRIPTION	QTY
1	AD32FP	ADseries Shelf 32"	1
2	RKNV2-SS	Rail Kit- streetside	1
3	P2NV2S	Steel Partition	1



**4960**  
**CARGO MANAGEMENT PACKAGE #2**  
 One ADseries Shelf and Wire Partition  
**City Express & NV200**

ITEM	MODEL	DESCRIPTION	QTY
1	AD32FP	ADseries Shelf 32"	1
2	RKNV2-SS	Rail Kit- streetside	1
3	P2NV2FW	Wire Partition	1



**4961**  
**CARGO MANAGEMENT PACKAGE #3**  
 One HD Series Shelf and Steel Partition  
**City Express & NV200**

ITEM	MODEL	DESCRIPTION	QTY
1	HD-32NV2	HD Shelf 12"x32"	1
2	RKNV2-SS	Rail Kit- streetside	1
3	P2NV2S	Steel Partition	1



**4962**  
**CARGO MANAGEMENT PACKAGE #4**  
 One HD Series Shelf and Wire Partition  
**City Express & NV200**

ITEM	MODEL	DESCRIPTION	QTY
1	HD-32NV2	HD Shelf 12"x32"	1
2	RKNV2-SS	Rail Kit-streetside	1
3	P2NV2FW	Wire Partition	1



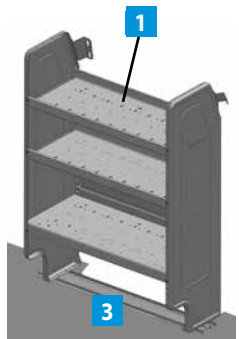
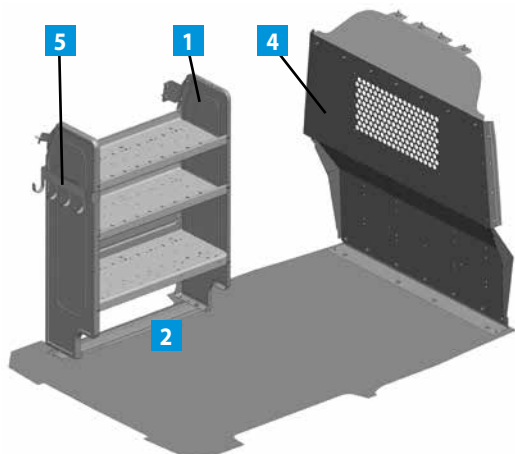
**4964**

**CARGO MANAGEMENT PACKAGE #1**

Includes two 32" ADseries Shelves

**City Express & NV200**

ITEM	MODEL	DESCRIPTION	QTY
1	AD32FP	ADseries Shelf 32"	2
2	RKNV2-SS	Rail Kit- streetside	1
3	RKNV2-CS	Rail Kit- curbside	1
4	P2NV2S	Steel Partition	1
5	TA1WAD	Hook Bar	1



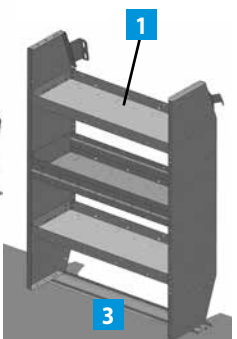
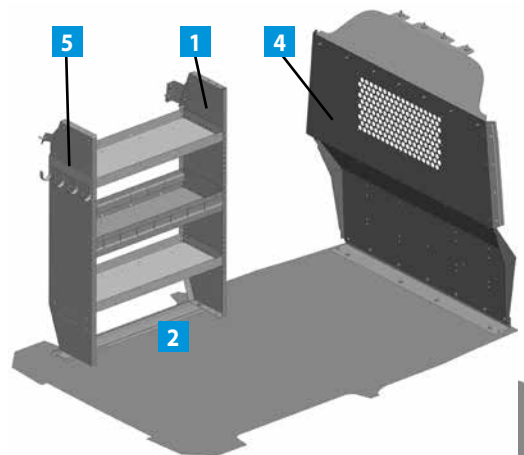
**4965**

**CARGO MANAGEMENT PACKAGE #2**

Includes two 32" HD Series Shelves

**City Express & NV200**

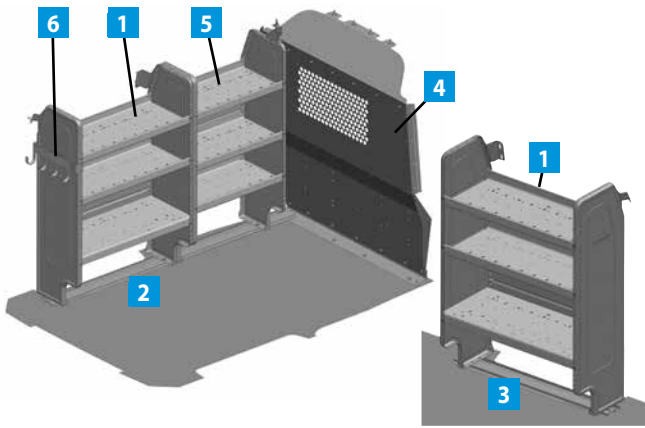
ITEM	MODEL	DESCRIPTION	QTY
1	HD-32NV2	HD Shelf 12"x32"	2
2	RKNV2-SS	Rail Kit- streetside	1
3	RKNV2-CS	Rail Kit- curbside	1
4	P2NV2S	Steel Partition	1
5	TA1	Hook Bar	1



City Express / NV200

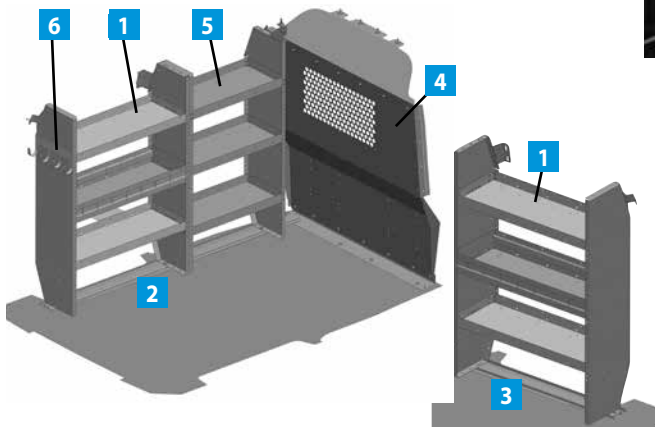
**4966**  
**CARGO MANAGEMENT PACKAGE #3**  
 Includes two 32" & one 28" ADseries Shelves  
**City Express & NV200**

ITEM	MODEL	DESCRIPTION	QTY
1	AD32FP	ADseries Shelf 32"	2
2	RK67NV2-SS	Rail Kit- dbl streetside	1
3	RKNV2-CS	Rail Kit- curbside	1
4	P2NV2S	Steel Partition	1
5	AD28NV2	ADseries Shelf 28"	1
6	TA1WAD	Hook Bar	1



**4967**  
**CARGO MANAGEMENT PACKAGE #4**  
 Includes two 32" & one 28" HD Series Shelves  
**City Express & NV200**

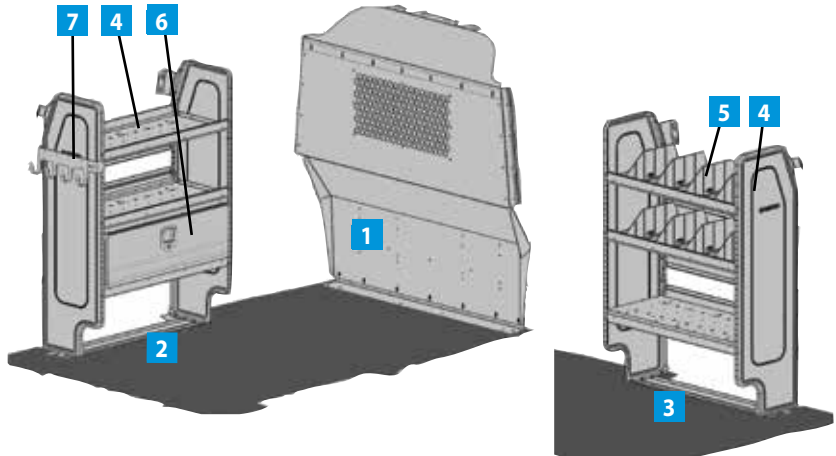
ITEM	MODEL	DESCRIPTION	QTY
1	HD-32NV2	HD Shelf 12"x32"	2
2	RK67NV2-SS	Rail Kit-dbl streetside	1
3	RKNV2-CS	Rail Kit- curbside	1
4	P2NV2S	Steel Partition	1
5	HD-28NV2	HD Shelf 12"x28"	1
6	TA1	Hook Bar	1



City Express / NV200

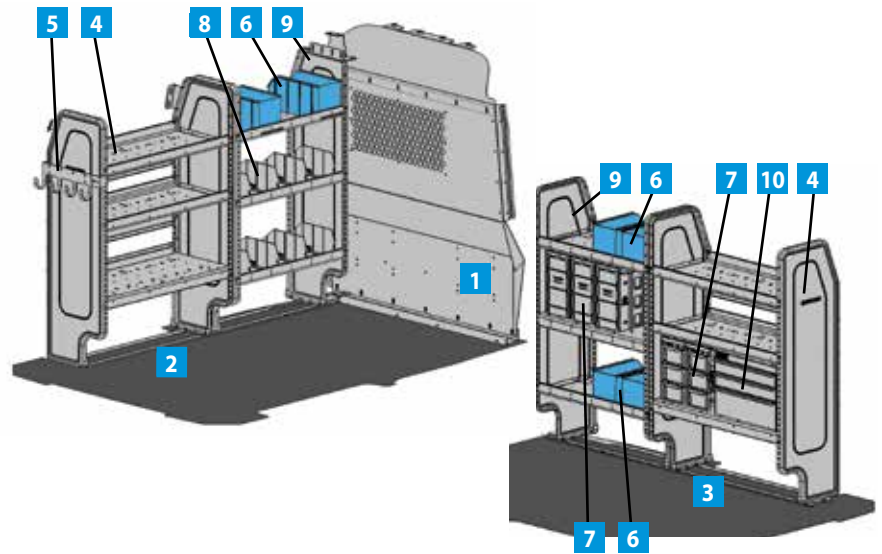
**5098  
COMMERCIAL SHELVING PACKAGE  
14" ADSERIES SHELVING  
City Express & NV200**

ITEM	MODEL	DESCRIPTION	QTY
1	P2NV2S	Steel Partition,	1
2	RKNV2-SS	Rail Kit- streetside	1
3	RKNV2-CS	Rail Kit- curbside	1
4	AD32FP	ADseries Shelf 32"	2
5	DV14C8	Divider kit of 8	1
6	DK532	Door Kit	1
7	TA1WAD	Four Hook Bar	1



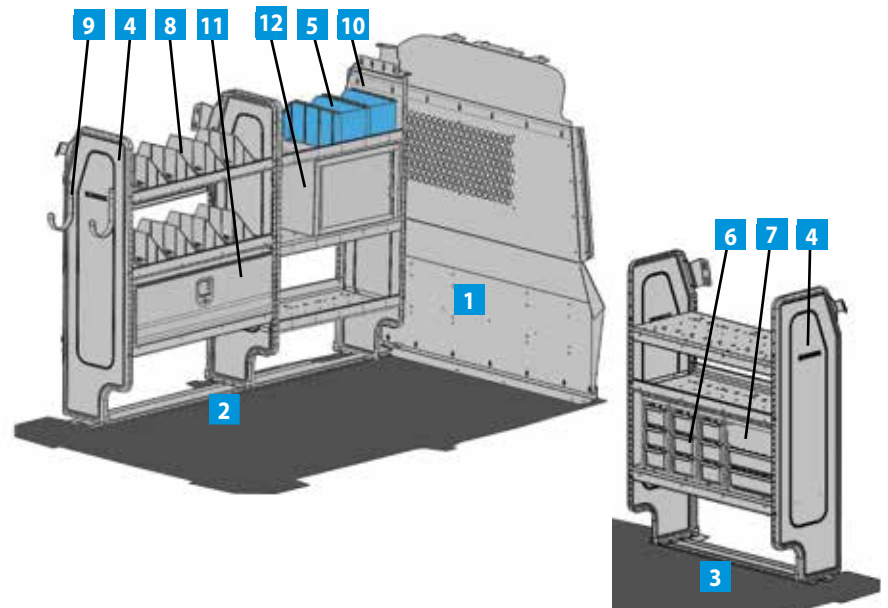
**5100  
GENERAL SERVICE PACKAGE  
14" ADSERIES SHELVING  
City Express & NV200**

ITEM	MODEL	DESCRIPTION	QTY
1	P2NV2S	Steel Partition	1
2	RK67NV2-SS	Rail Kit-streetside	1
3	RK67NV2-CS	Rail Kit- curbside	1
4	AD32FP	ADseries Shelf 32"	2
5	TA1WAD	Four Hook Bar	1
6	SBIN060614	6" Snap-in Bin	6
7	DC6	6" Drawer Component	5
8	DV14C8	Divider kit of 8	1
9	AD28NV2	ADseries Shelf 28"	2
10	919	3 Drawer Combo	1



**5097  
TELECOMMUNICATIONS PACKAGE  
14" ADSERIES SHELVING  
City Express & NV200**

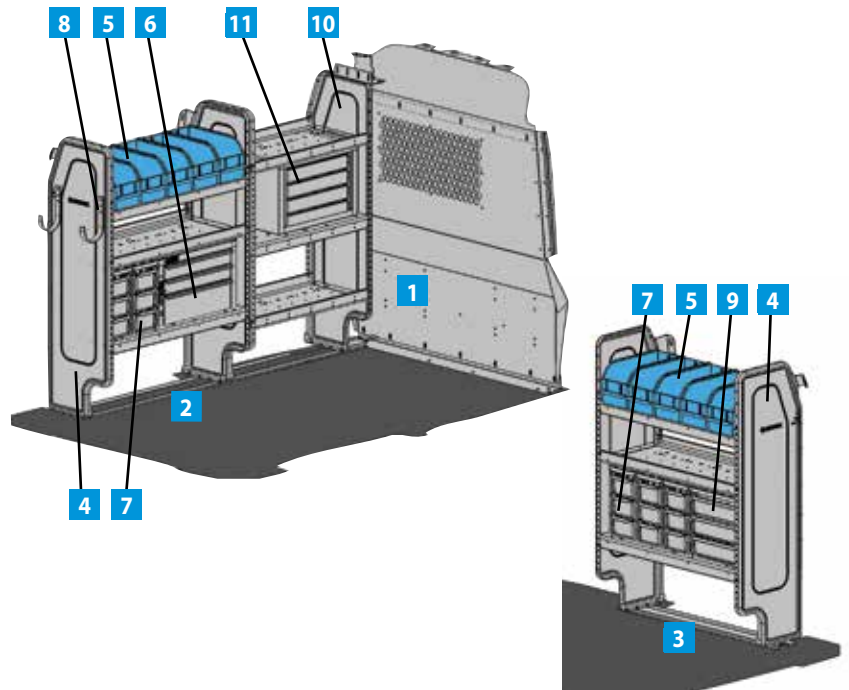
ITEM	MODEL	DESCRIPTION	QTY
1	P2NV2S	Steel Partition	1
2	RK67NV2-SS	Rail Kit- streetside	1
3	RKNV2-CS	Rail Kit- curbside	1
4	AD32FP	ADseries Shelf 32"	2
5	SBIN060614	6" Snap-in Bin	2
6	DC6	6" Drawer Component	3
7	DC12	12" Drawer Component	1
8	DV14C8	Divider kit of 8	1
9	UH50	5" Hook	2
10	AD28NV2	ADseries Shelf 28"	1
11	DK532	Door Kit	1
12	19	2 Drawer Medium	1



City Express / NV200

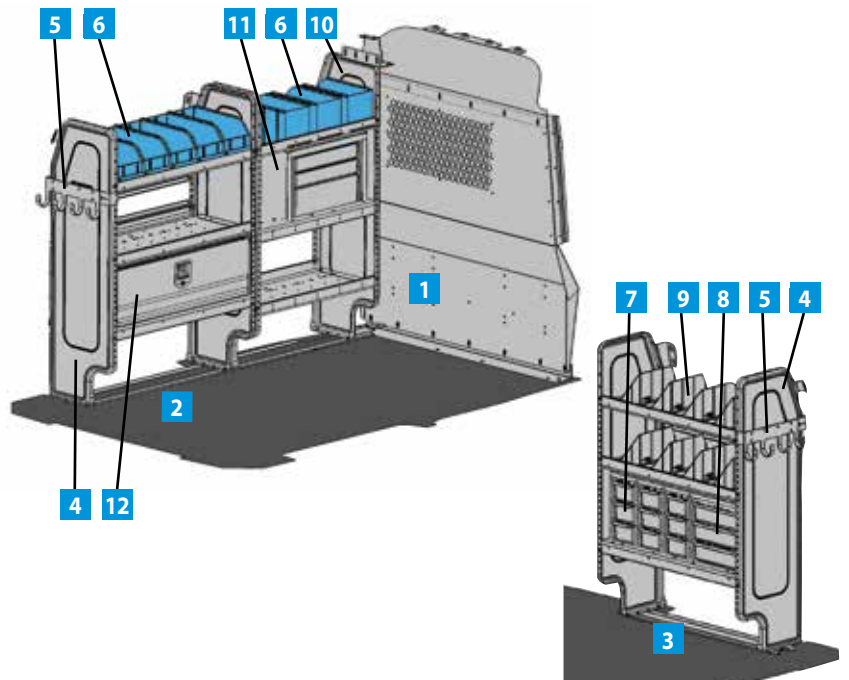
**5096  
PLUMBING PACKAGE  
14" ADseries SHELVING  
City Express & NV200**

ITEM	MODEL	DESCRIPTION	QTY
1	P2NV2S	Steel Partition	1
2	RK67NV2-SS	Rail Kit-streetside	1
3	RKNV2-CS	Rail Kit-curbside	1
4	AD32FP	ADseries Shelf 32"	2
5	SBIN060614	6" Snap-in Bin	10
6	919	Drawer Unit	1
7	DC6	6" Drawer Component	5
8	UH50	5" Hook	2
9	DC12	12" Drawer Component	1
10	AD28NV2	ADseries Shelf 28"	1
11	9	4 Drawer Shallow	1
12	SRAILAD32	Bin Retention Rail 32"	2
13	BAGSRAIL	Fastener Bag	1



**5099  
ELECTRICAL PACKAGE  
14" ADseries SHELVING  
City Express & NV200**

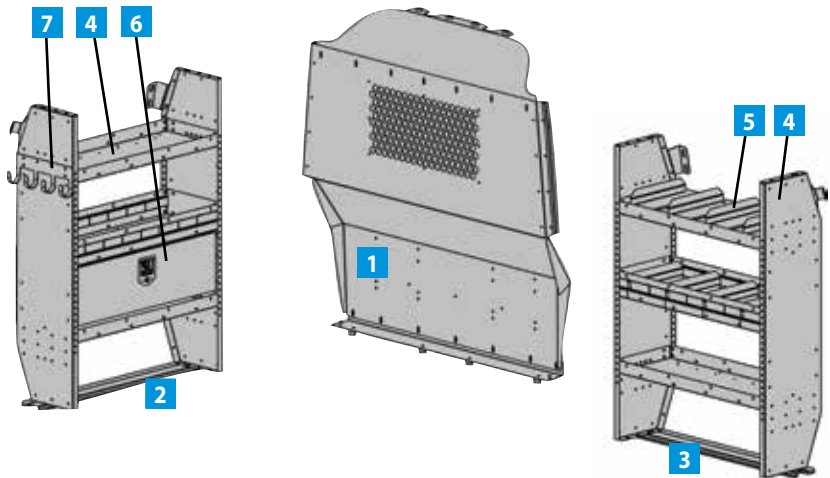
ITEM	MODEL	DESCRIPTION	QTY
1	P2NV2S	Steel Partition	1
2	RK67NV2-SS	Rail Kit-streetside	1
3	RKNV2-CS	Rail Kit-curbside	1
4	AD32FP	ADseries Shelf 32"	2
5	TA1WAD	Four Hook Bar	2
6	SBIN060614	6" Snap-in Bin	8
7	DC6	6" Drawer Component	3
8	DC12	12" Drawer Component	1
9	DV14C8	Divider kit of 8	1
10	AD28NV2	ADseries Shelf 28"	1
11	919	3 Drawer Combo	1
12	DK532	Door Kit	1
13	SRAILAD32	Bin Retention Rail 32"	1
14	BAGSRAIL	Fastener Bag	1



City Express / NV200

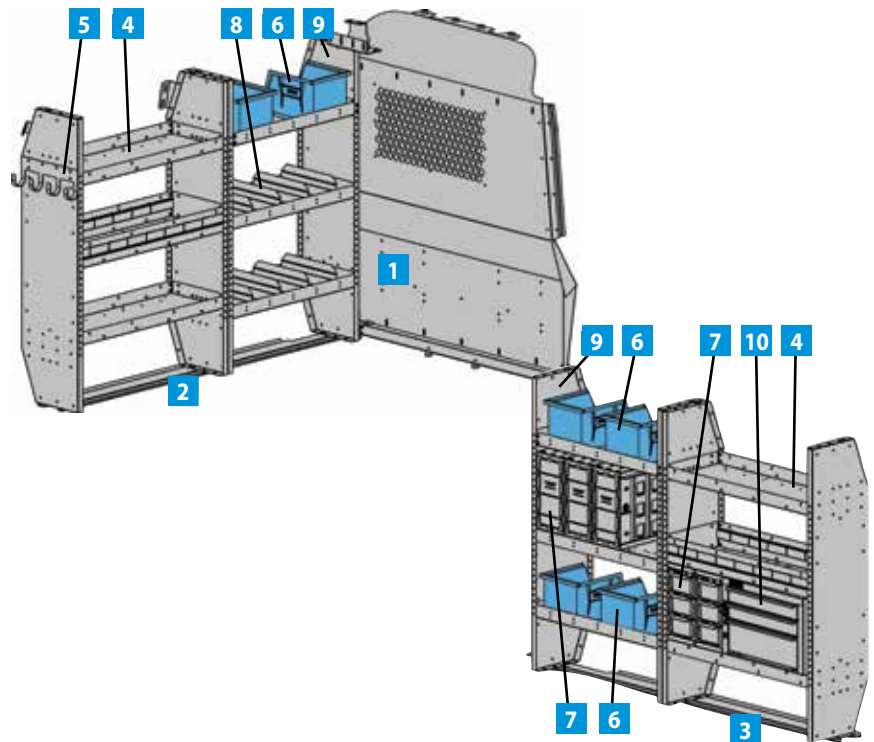
### 5082 COMMERCIAL SHELVING PACKAGE 12" HD SERIES SHELVING City Express & NV200

ITEM	MODEL	DESCRIPTION	QTY
1	P2NV2S	Steel Partition	1
2	RKNV2-SS	Rail Kit streetside	1
3	RKNV2-CS	Rail Kit curbside	1
4	HD-32NV2	HD Shelf 12"x32"	2
5	DV12	Dividers	6
6	DK532	Door Kit	1
7	TA1	Four Hook Bar	1



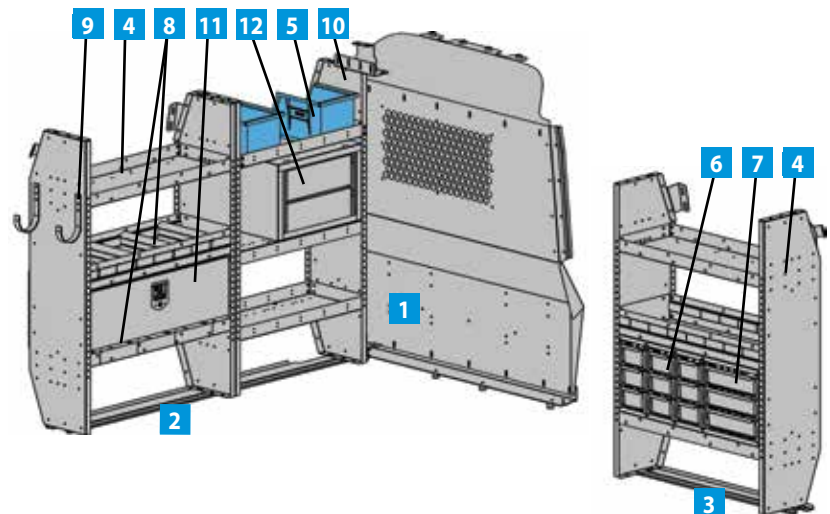
### 5084 GENERAL SERVICE PACKAGE 12" HD SERIES SHELVING City Express & NV200

ITEM	MODEL	DESCRIPTION	QTY
1	P2NV2S	Steel Partition	1
2	RK67NV2-SS	Rail Kit streetside	1
3	RK67NV2-CS	Rail Kit curbside	1
4	HD-32NV2	HD Shelf 12"x32"	2
5	TA1	Four Hook Bar	1
6	28	Blue Bin	6
7	DC6	6" Drawer Component	5
8	DV12	Dividers	8
9	HD-28NV2	HD Shelf 12"x28"	2
10	919	3 Drawer Combo	1



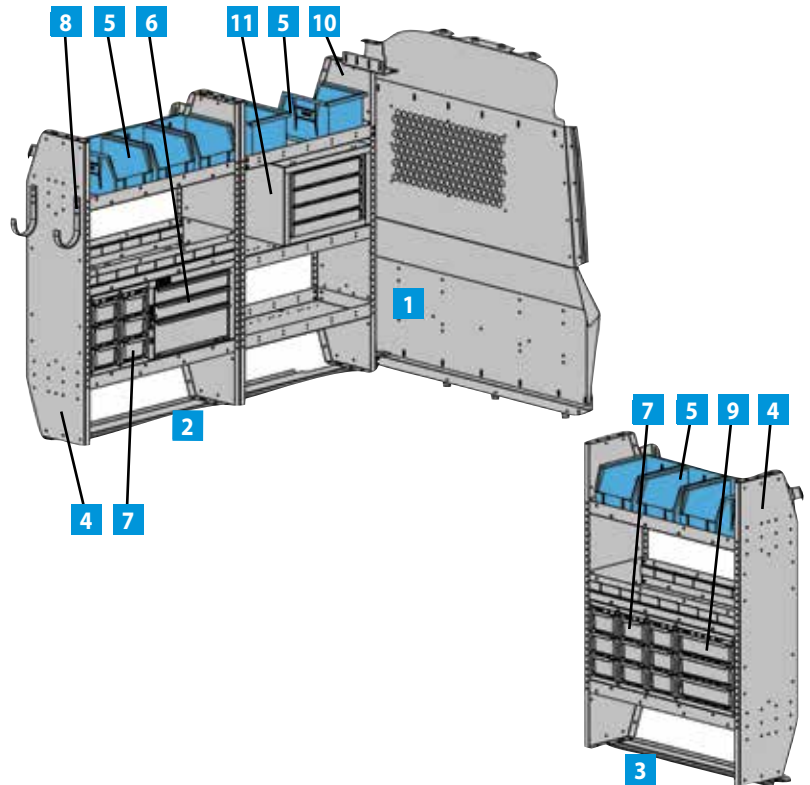
### 5081 TELECOMMUNICATIONS PACKAGE 12" HD SERIES SHELVING City Express & NV200

ITEM	MODEL	DESCRIPTION	QTY
1	P2NV2S	Steel Partition	1
2	RK67NV2-SS	Rail Kit streetside	1
3	RKNV2-CS	Rail Kit curbside	1
4	HD-32NV2	HD Shelf 12"x32"	2
5	28	Blue Bin	2
6	DC6	6" Drawer Component	3
7	DC12	12" Drawer Component	1
8	DV12	Dividers	8
9	UH50	5" Hook	2
10	HD-28NV2	HD Shelf 12"x28"	1
11	DK532	Door Kit	1
12	19	2 Drawer Medium	1



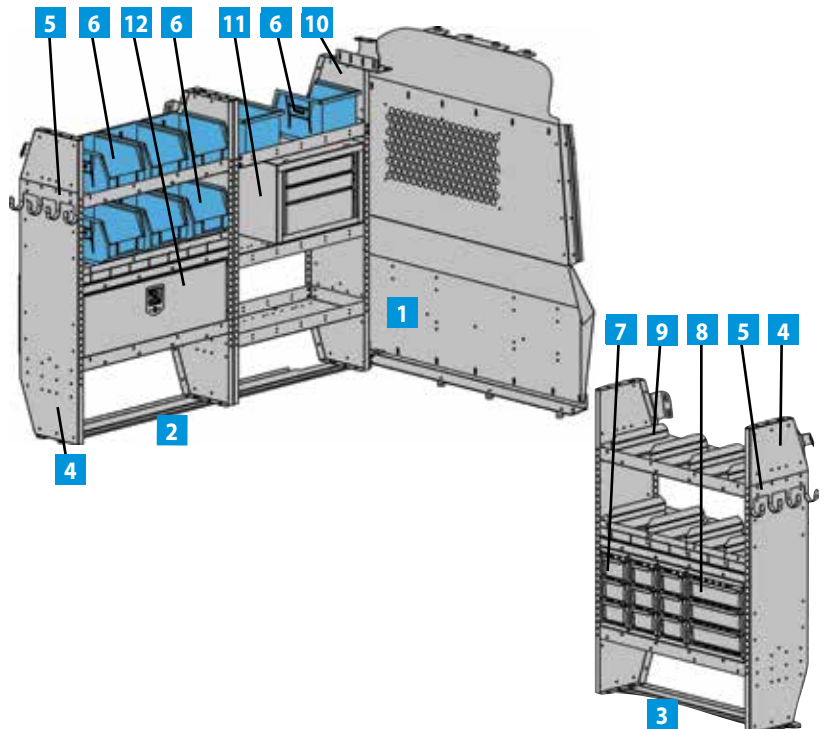
**5080  
PLUMBING PACKAGE  
12" HD SERIES SHELVING  
City Express & NV200**

ITEM	MODEL	DESCRIPTION	QTY
1	P2NV2S	Steel Partition	1
2	RK67NV2-SS	Rail Kit streetside	1
3	RKNV2-CS	Rail Kit curbside	1
4	HD-32NV2	HD Shelf 12"x32"	2
5	28	Blue Bin	8
6	919	3 Drawer Combo	1
7	DC6	6" Drawer Component	5
8	UH50	5" Hook	2
9	DC12	12" Drawer Component	1
10	HD-28NV2	HD Shelf 12"x28	1
11	9	4 Drawer Shallow	1



**5083  
ELECTRICAL PACKAGE  
12" HD SERIES SHELVING  
City Express & NV200**

ITEM	MODEL	DESCRIPTION	QTY
1	P2NV2S	Steel Partition	1
2	RK67NV2-SS	Rail Kit streetside	1
3	RKNV2-CS	Rail Kit curbside	1
4	HD-32NV2	HD Shelf 12"x32"	2
5	TA1	Four Hook Bar	2
6	28	Blue Bin	8
7	DC6	6" Drawer Component	3
8	DC12	12" Drawer Component	1
9	DV12	Dividers	8
10	HD-28NV2	HD Shelf 12"x28	1
11	919	3 Drawer Combo	1
12	DK532	Door Kit	1



City Express / NV200

**STEEL PARTITION**

The **P2PMCS15** features all steel panels that safeguard the cab area against moving and shifting cargo. The recessed design allows for maximum adjustability of the front seats and provides storage space for a 6 foot step ladder in the back of the ProMaster City. The perforated window allows for visibility of your cargo area and rear windows while the solid steel construction provides better climate control and sound deadening. The steel header and full perimeter wings provide optimal security. Order the **P1PMCS15** for a solid partition with out the perforated window. Perfect for extra cab climate control.



**WIRE MESH PARTITION**

The **P2PMCFW15** provides maximum visibility while safeguarding your van cab area against moving and shifting cargo. The recessed design allows for maximum adjustability of the front seats and provides storage space for a 6 foot step ladder in the back of the ProMaster City. The **P2PMCFW15** is lightweight and economical without sacrificing safety and security.



**Ladder Rack**

**PROMASTER CITY GRIP-LOCK RACK FEATURES AND BENEFITS**

- Heavy-Duty actuating arm firmly grips ladder rungs to prevent shifting of ladder on rack.
- Gripping mechanism is lockable.
- Composite extrusions on front and rear crossbows and uprights protect ladders.
- Rung grips easily adjust to accommodate different types of ladders.
- Features an all aluminum design with a natural aluminum finish.
- There are no straps to deal with, clamping of ladder is automatic.
- Accommodates up to a 24 ft. extension ladder.
- To carry a 6 ft. step ladder, order **1BPMCGL**.

MODEL	DESCRIPTION
61-PMC	Single Grip Lock Rack, fits ProMaster City
63-PMC	Double Grip Lock Rack, fits ProMaster City
2BPMC	Aluminum Utility Rack, fits ProMaster City
61TCSSUR	Utility Rack add on kit, fits 61-PMC



RAM ProMaster City

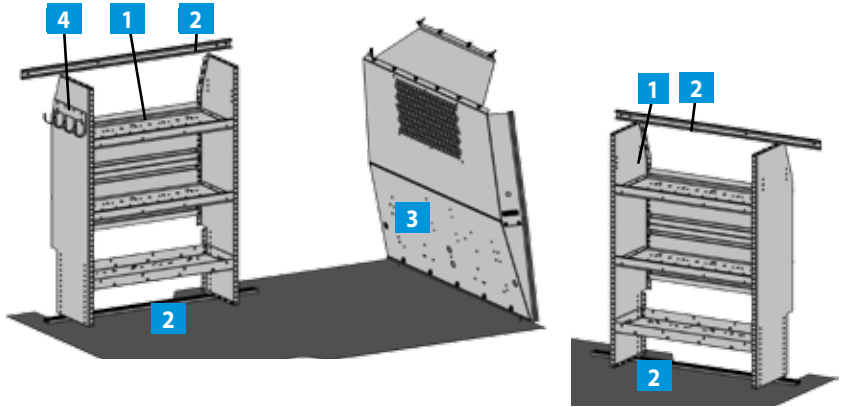


**4964PMC  
DUAL AD SHELVING PACKAGE**

Two 32" ADseries Shelves

**ProMaster City**

ITEM	MODEL	DESCRIPTION	QTY
1	AD32PMC	ADseries Shelf 32"	2
2	RKPMC	Rail Kit	2
3	P2PMCS15	Steel Partition	1
4	TA1	Hook Bar	1

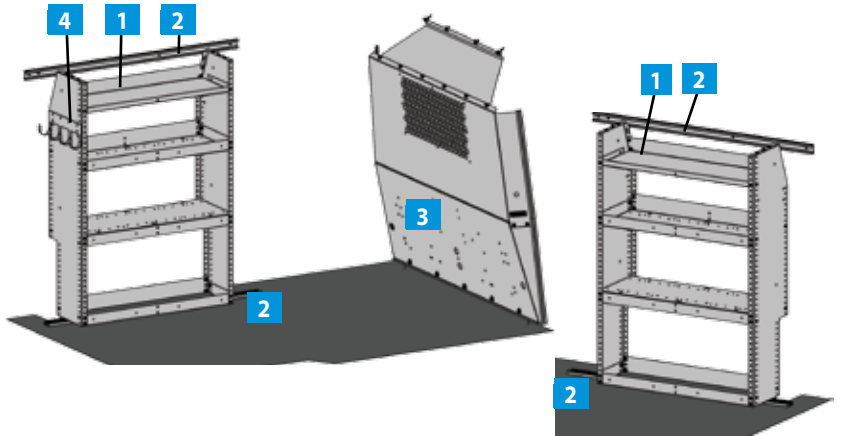


**4965PMC  
DUAL HD SHELVING PACKAGE**

Two 32" HD Series Shelves

**ProMaster City**

ITEM	MODEL	DESCRIPTION	QTY
1	HD32TC	HD Series Shelf 32"	2
2	RKPMC	Rail Kit	2
3	P2PMCS15	Steel Partition	1
4	TA1	Hook Bar	1

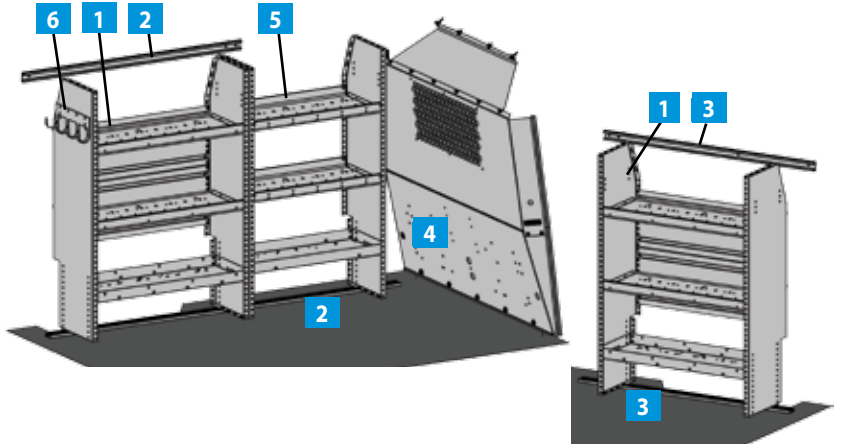


**4966PMC  
TRIPLE AD SHELVING PACKAGE**

Two 32" & one 28" ADseries Shelves

**ProMaster City**

ITEM	MODEL	DESCRIPTION	QTY
1	AD32PMC	ADseries Shelf 32"	2
2	RK72PMC	Rail Kit double streetside	1
3	RKPMC	Rail Kit curbside	1
4	P2PMCS15	Steel Partition	1
5	AD28PMC	ADseries shelf 28"	1
6	TA1	Hook Bar	1

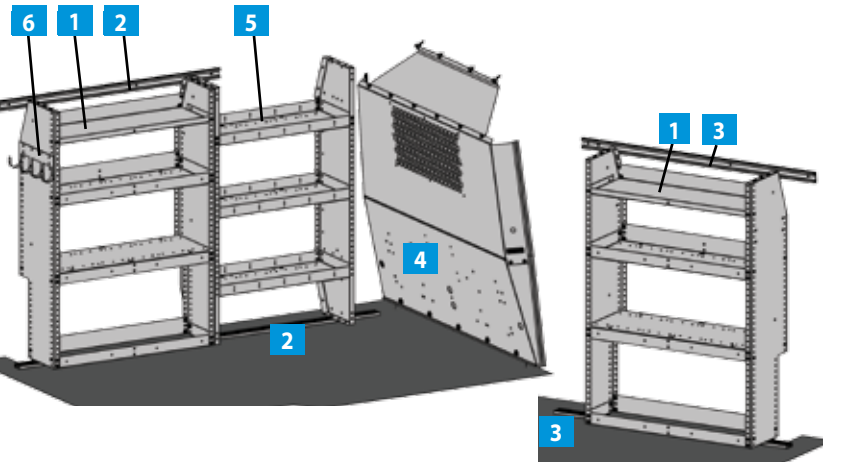


**4967PMC  
TRIPLE HD SHELVING PACKAGE**

Two 32" & one 28" HD Series Shelves

**ProMaster City**

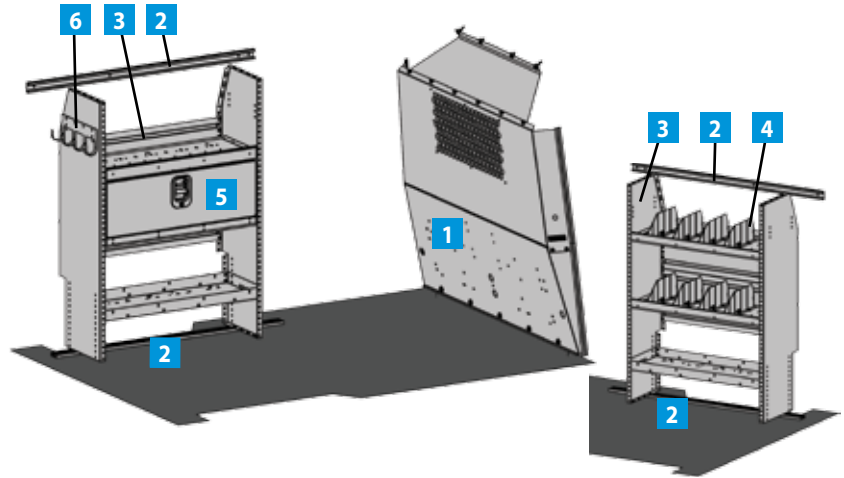
ITEM	MODEL	DESCRIPTION	QTY
1	HD32TC	HD Series Shelf 32"	2
2	RK72PMC	Rail Kit double streetside	1
3	RKPMC	Rail Kit curbside	1
4	P2PMCS15	Steel Partition	1
5	HD-28NV2	HD Series shelf 28"	1
6	TA1	Hook Bar	1



RAM ProMaster City

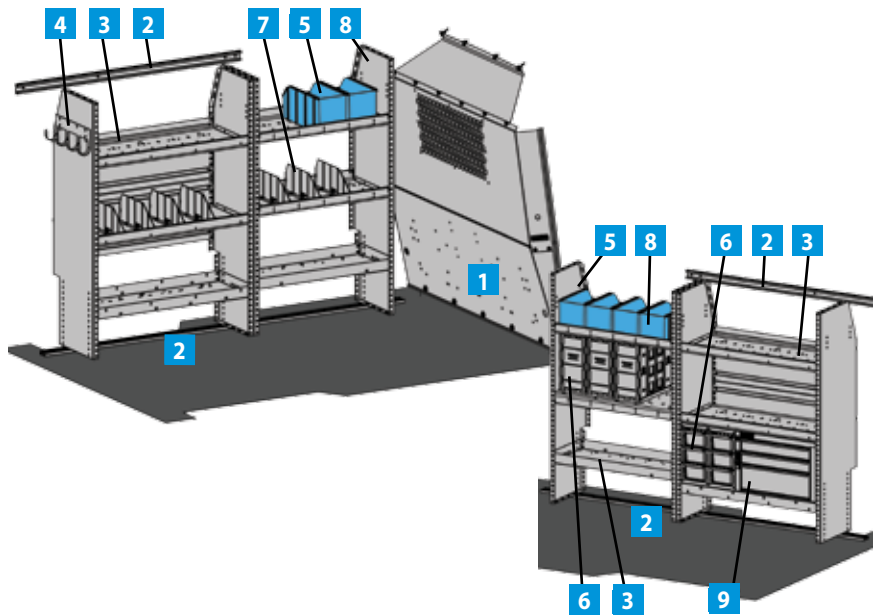
**5098PMC  
COMMERCIAL SHELVING PACKAGE  
14" ADSERIES SHELVING  
ProMaster City**

ITEM	MODEL	DESCRIPTION	QTY
1	P2PMCS15	Steel Partition	1
2	RKPMC	Rail Kit	2
3	AD32PMC	ADseries Shelf 32"	2
4	DV14C8	Divider kit of 8	1
5	DK32TC	Door Kit	1
6	TA1	Four Hook Bar	1



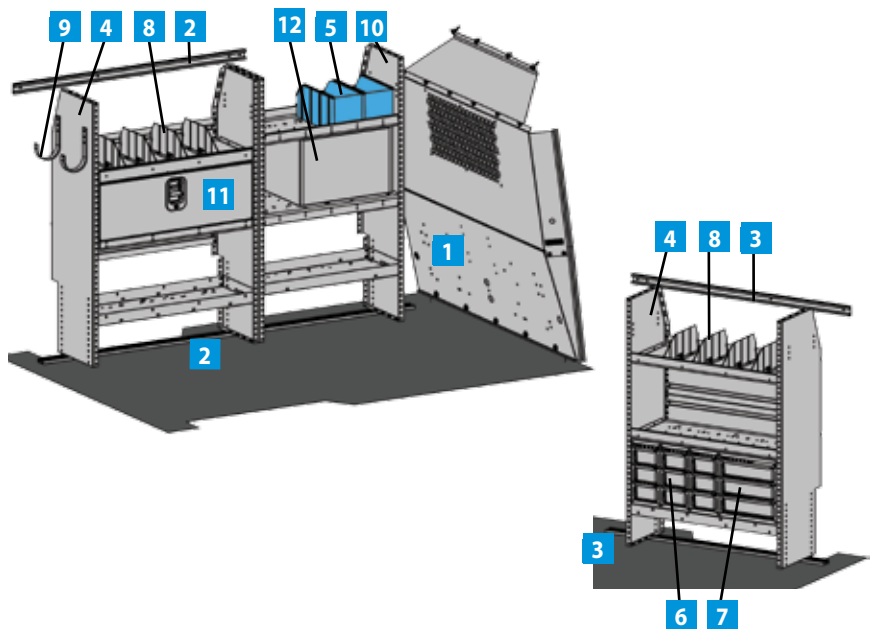
**5100PMC  
GENERAL SERVICE PACKAGE  
14" ADSERIES SHELVING  
ProMaster City**

ITEM	MODEL	DESCRIPTION	QTY
1	P2PMCS15	Steel Partition	1
2	RK72PMC	Rail Kit double	2
3	AD32PMC	ADseries Shelf 32"	2
4	TA1	Four Hook Bar	1
5	SBIN060614	6" Snap-in Bin	6
6	DC6	6" Drawer Component	5
7	DV14C8	Divider kit of 8	1
8	AD28PMC	ADseries Shelf 28"	2
9	919	3 Drawer Combo	1



**5097PMC  
TELECOMMUNICATIONS PACKAGE  
14" ADSERIES SHELVING  
ProMaster City**

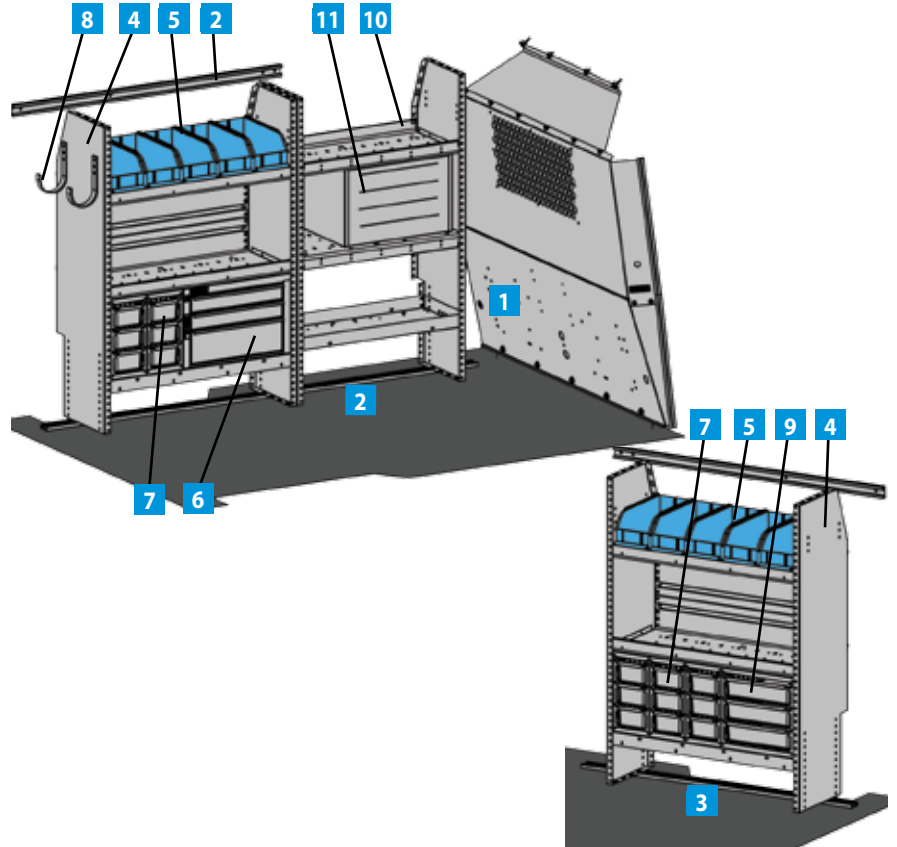
ITEM	MODEL	DESCRIPTION	QTY
1	P2PMCS15	Steel Partition	1
2	RK72PMC	Rail Kit- double streetside	1
3	RKPMC	Rail Kit- curbside	1
4	AD32PMC	ADseries Shelf 32"	2
5	SBIN060614	6" Snap-in Bin	2
6	DC6	6" Drawer Component	3
7	DC12	12" Drawer Component	1
8	DV14C8	Divider kit of 8	1
9	UH50	5" Hook	2
10	AD28PMC	ADseries Shelf 28"	1
11	DK32TC	Door Kit	1
12	19	2 Drawer Medium	1



RAM ProMaster City

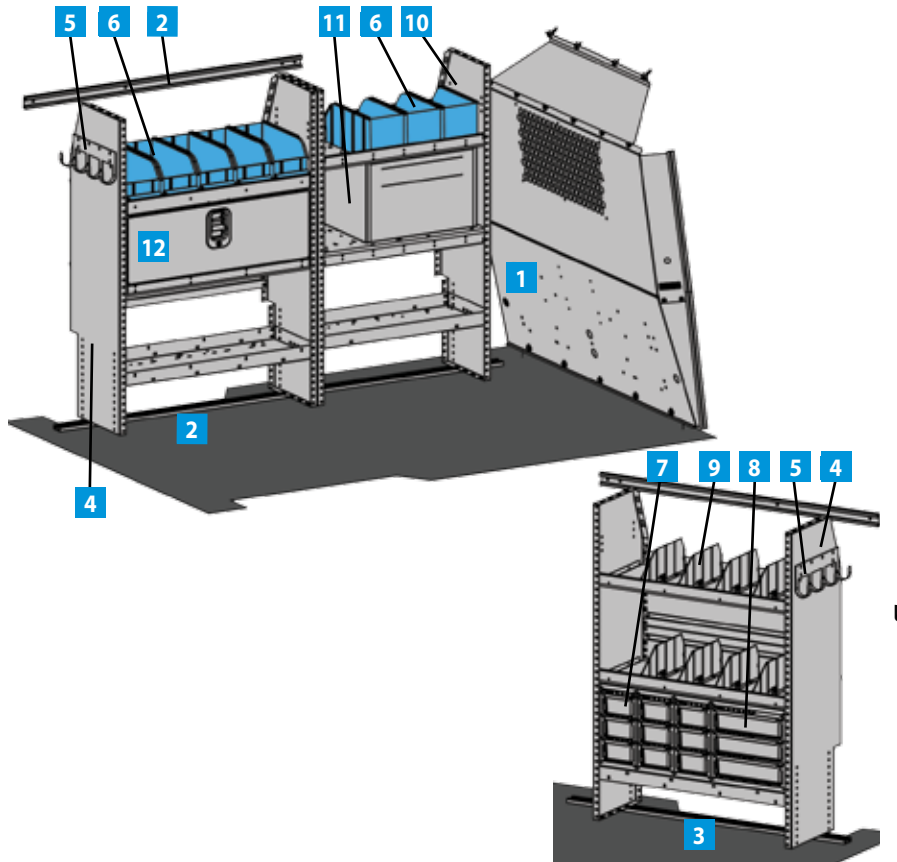
**5096PMC  
PLUMBING PACKAGE  
14" ADseries SHELVING  
ProMaster City**

ITEM	MODEL	DESCRIPTION	QTY
1	P2PMCS15	Steel Partition	1
2	RK72PMC	Rail Kit-double streetside	1
3	RKPMC	Rail Kit	1
4	AD32PMC	ADseries Shelf 32"	2
5	SBIN060614	6" Snap-in Bin	10
6	919	Drawer Unit	1
7	DC6	6" Drawer Component	5
8	UH50	5" Hook	2
9	DC12	12" Drawer Component	1
10	AD28PMC	ADseries Shelf 28"	1
11	9	4 Drawer Shallow	1
12	SRAILAD32	Bin Retention Rail 32"	2
13	BAGSRAIL	Fastener Bag	1



**5099PMC  
ELECTRICAL PACKAGE  
14" ADseries SHELVING  
ProMaster City**

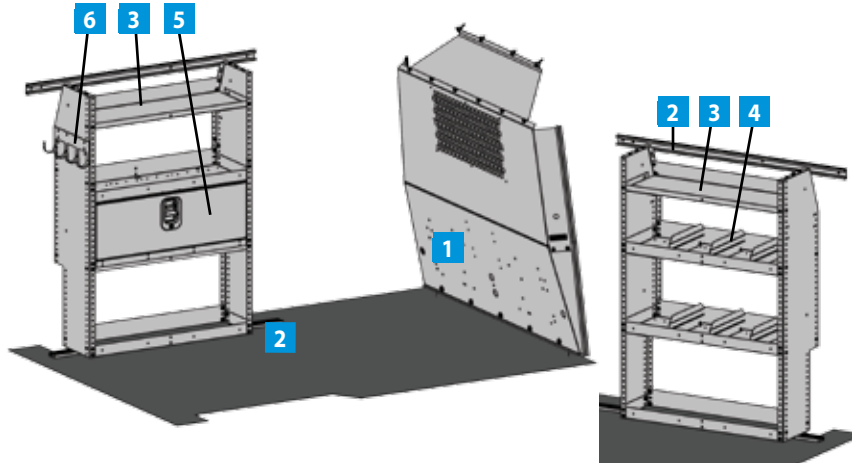
ITEM	MODEL	DESCRIPTION	QTY
1	P2PMCS15	Steel Partition	1
2	RK72PMC	Rail Kit- double streetside	1
3	RKPMC	Rail Kit-curbside	1
4	AD32PMC	ADseries Shelf 32"	2
5	TA1	Four Hook Bar	2
6	SBIN060614	6" Snap-in Bin	8
7	DC6	6" Drawer Component	3
8	DC12	12" Drawer Component	1
9	DV14C8	Divider kit of 8	1
10	AD28PMC	ADseries Shelf 28"	1
11	919	3 Drawer Combo	1
12	DK32TC	Door Kit	1
13	SRAILAD32	Bin Retention Rail 32"	1
14	BAGSRAIL	Fastener Bag	1



RAM ProMaster City

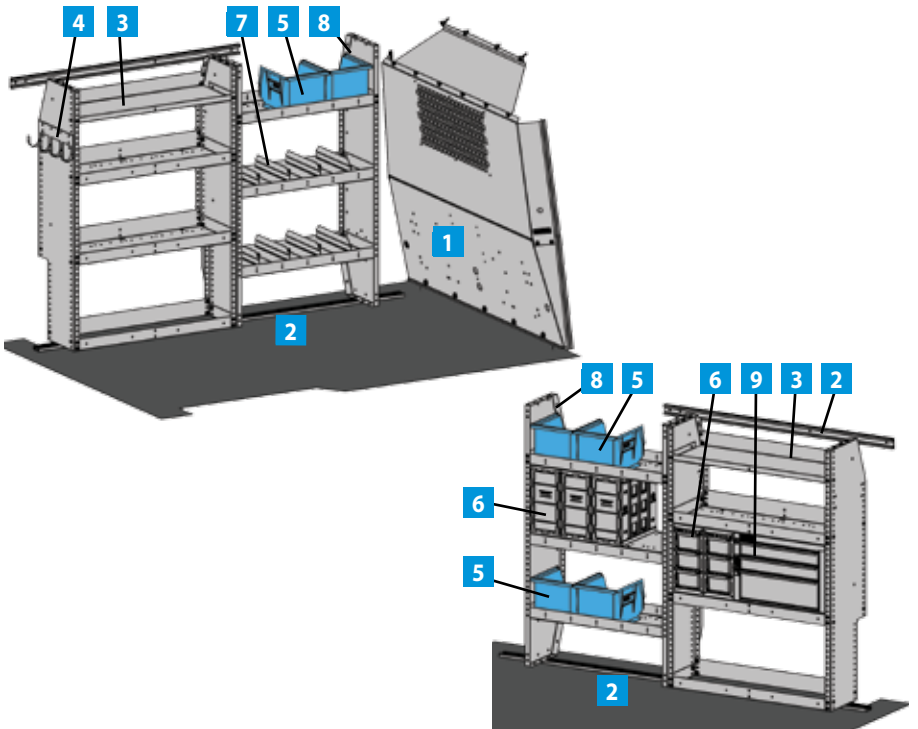
**5082PMC  
COMMERCIAL SHELVING PACKAGE  
12" HD SERIES SHELVING  
ProMaster City**

ITEM	MODEL	DESCRIPTION	QTY
1	P2PMCS15	Steel Partition	1
2	RKPMC	Rail Kit	2
3	HD32TC	HD Shelf 12"x32"	2
4	DV12	Dividers	6
5	DK32TC	Door Kit	1
6	TA1	Four Hook Bar	1



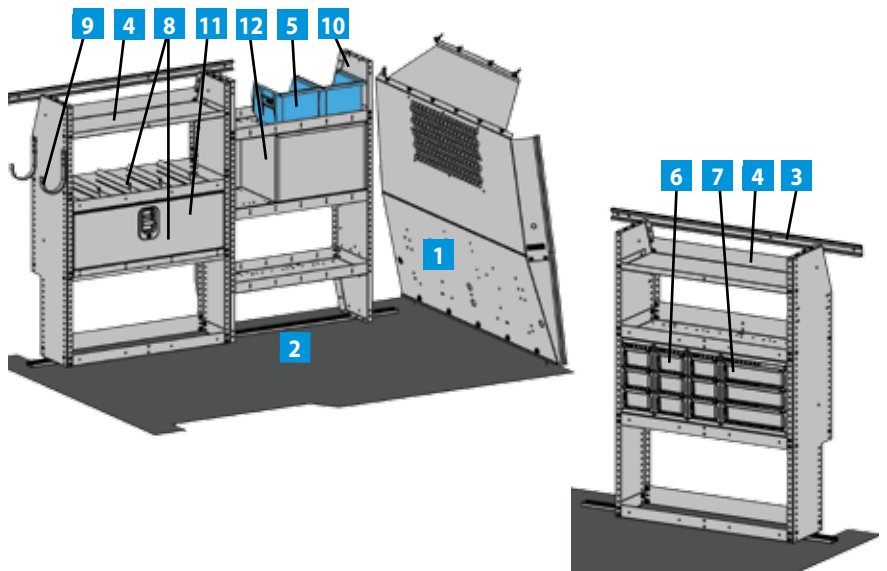
**5084PMC  
GENERAL SERVICE PACKAGE  
12" HD SERIES SHELVING  
ProMaster City**

ITEM	MODEL	DESCRIPTION	QTY
1	P2PMCS15	Steel Partition	1
2	RK72PMC	Rail Kit- double	2
3	HD32TC	HD Shelf 12"x32"	2
4	TA1	Four Hook Bar	1
5	28	Blue Bin	6
6	DC6	6" Drawer Component	5
7	DV12	Dividers	8
8	HD-28NV2	HD Shelf 12"x28"	2
9	919	3 Drawer Combo	1



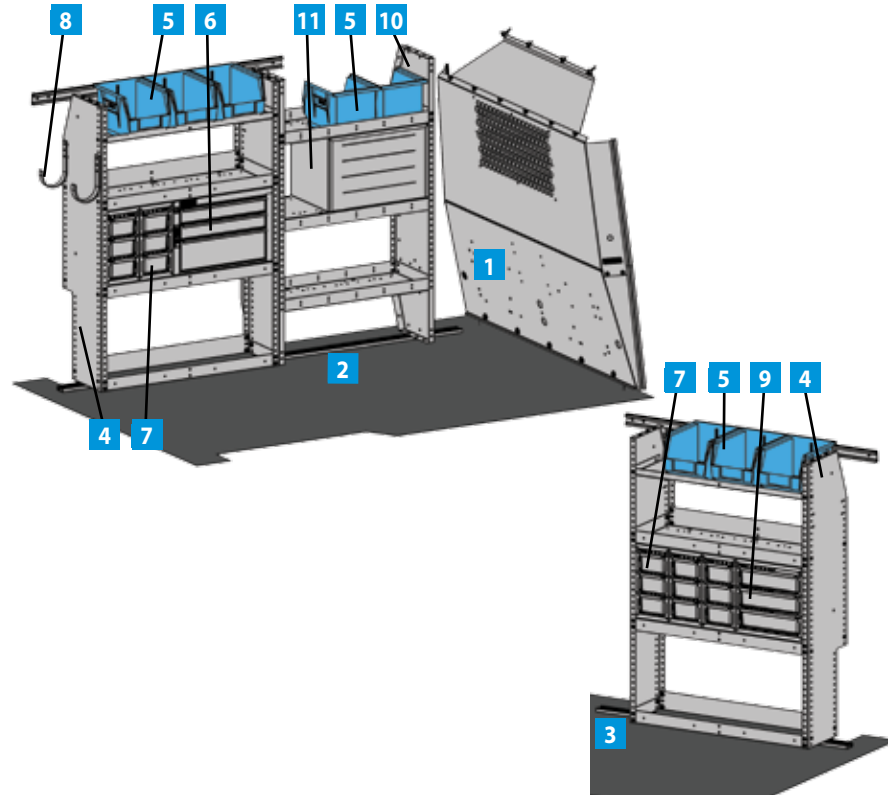
**5081PMC  
TELECOMMUNICATIONS PACKAGE  
12" HD SERIES SHELVING  
ProMaster City**

ITEM	MODEL	DESCRIPTION	QTY
1	P2PMCS15	Steel Partition	1
2	RK72PMC	Rail Kit- double streetside	1
3	RKPMC	Rail Kit	1
4	HD32TC	HD Shelf 12"x32"	2
5	28	Blue Bin	2
6	DC6	6" Drawer Component	3
7	DC12	12" Drawer Component	1
8	DV12	Dividers	8
9	UH50	5" Hook	2
10	HD-28NV2	HD Shelf 12"x28"	1
11	DK32TC	Door Kit	1
12	19	2 Drawer Medium	1



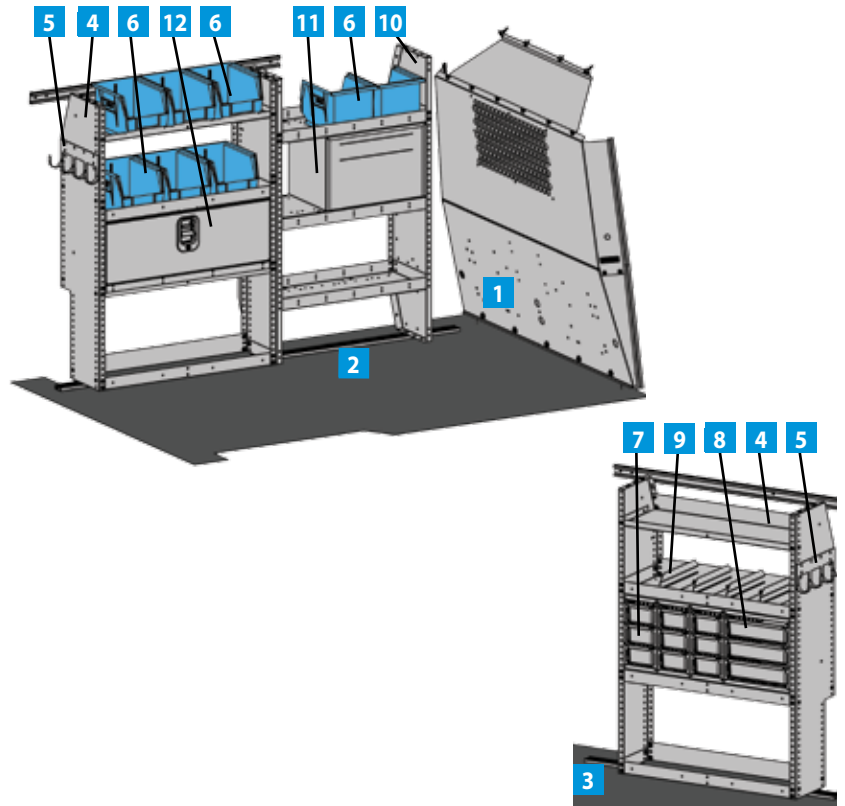
**5080PMC  
PLUMBING PACKAGE  
12" HD SERIES SHELVEING  
ProMaster City**

ITEM	MODEL	DESCRIPTION	QTY
1	P2PMCS15	Steel Partition	1
2	RK72PMC	Rail Kit-double streetside	1
3	RKPMC	Rail Kit	1
4	HD32TC	HD Shelf 12"x32"	2
5	28	Blue Bin	8
6	919	Drawer Unit	1
7	DC6	6" Drawer Component	5
8	UH50	5" Hook	2
9	DC12	12" Drawer Component	1
10	HD-28NV2	HD Shelf 12"x28	1
11	9	4 Drawer Shallow	1



**5083PMC  
ELECTRICAL PACKAGE  
12" HD SERIES SHELVEING  
ProMaster City**

ITEM	MODEL	DESCRIPTION	QTY
1	P2PMCS15	Steel Partition	1
2	RK72PMC	Rail Kit-double streetside	1
3	RKPMC	Rail Kit	1
4	HD32TC	HD Shelf 12"x32"	2
5	TA1	Four Hook Bar	2
6	28	Blue Bin	8
7	DC6	6" Drawer Component	3
8	DC12	12" Drawer Component	1
9	DV12	Dividers	4
10	HD-28NV2	HD Shelf 12"x28	1
11	919	3 Drawer Combo	1
12	DK32TC	Door Kit	1



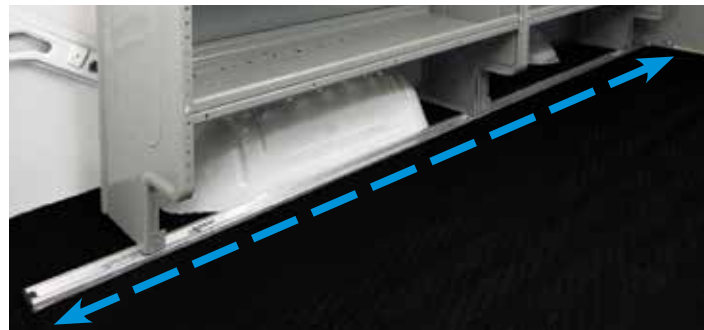
RAM ProMaster City

## EXCLUSIVELY FROM ADRIAN STEEL: A SHELVING PLATFORM THAT ALLOWS YOU TO PUT SHELVES WHERE YOU WANT THEM, NOT WHERE WE THINK YOU NEED THEM!

ADseries is the next generation of cargo management solutions, engineered to optimize your work van storage and accessibility. Featuring truly ADjustable shelves, an ADaptable rail system, AND heavy-duty shelves designed to accommodate the diverse range of cargo you need to get the job done.

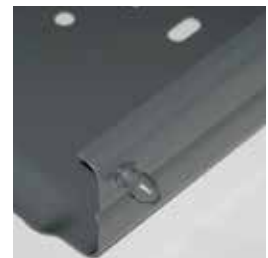


**ADAPTABLE INTERIOR** Everyone likes to set their work van up their own way. The new ADseries shelving lets you position the shelving where you need it. Exclusive to the ADseries, the unique rail system enables you to reposition the shelving in the van, increasing the available space for trade specific equipment. All of this is done without removing bolts, plugging holes and redrilling the van!



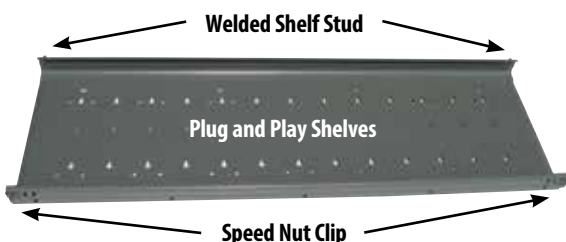
### ADJUSTABLE SHELVES

Tools, equipment and cargo come in all shapes and sizes and until now, there hasn't been a shelving unit that is truly adjustable. The ADseries is the first of it's kind where, with only a screwdriver, you can simply remove the front shelf bolts and move the shelf where you need it. Shelves can be adjusted in one inch increments and provide the most flexible shelving solution available.



**Truly Adjustable Shelves** All you need is a phillips screwdriver! Simply remove two bolts from the speed nut clips that come with the shelf, tilt the shelf upwards, move the shelf to your desired location, insert the rear shelf studs, reattach the bolts and you're done!

**Rear Shelf Studs** unique design lock shelves in place!



## ADD ACCESSORIES

Businesses change over time and your van interior should be able to change with your needs. Plug and Play shelves have prepunched holes that allow adding storage solutions easily! ADseries dividers simply snap in place, drawer units simply bolt in and door kits can be added to lock your more valuable parts and equipment. Many Adrian Steel accessories can be added to the ADseries shelving with the rail adapter kits and end panel brackets.

### ADSERIES SHELF UNITS & RAIL KITS

MODEL	SIZE	DESCRIPTION
AD32FP	32"W x 46"H x 14"D	fits GM/Econoline/Transit LR
AD44FP	44"W x 46"H x 14"D	fits GM/Econoline/Transit LR
AD50FP	50"W x 46"H x 14"D	fits GM/Econoline/Transit LR
AD1226TC14	26"W x 44"H x 12"D	fits 14-on Transit Connect
AD1426TC14	26"W x 44"H x 14"D	fits 14-on Transit Connect
AD1232TC14	32"W x 44"H x 12"D	fits 14-on Transit Connect
AD1432TC14	32"W x 44"H x 14"D	fits 14-on Transit Connect
AD26LCV	26"W x 50"H x 14"D	fits Nissan NV Cargo
AD28NV2	28"W x 46"H x 14"D	fits NV200 / City Express
AD32FP	32"W x 46"H x 14"D	fits NV200 / City Express
AD32LCV	32"W x 50"H x 14"D	fits Nissan NV Cargo
AD44LCV	44"W x 50"H x 14"D	fits Nissan NV Cargo
AD50LCV	50"W x 50"H x 14"D	fits Nissan NV Cargo
HAD3259	32"W x 59"H x 14"D	fits ProMaster, std. & high roof
HAD4459	44"W x 59"H x 14"D	fits ProMaster, std. & high roof
HAD5059	50"W x 59"H x 14"D	fits ProMaster, std. & high roof
AD28PMC	28"W x 46"H x 14"D	fits ProMaster City
AD32PMC	32"W x 46"H x 14"D	fits ProMaster City
RKFSVLHD	Rail System	fits GM LHD
RKFSVLWB	Rail System	fits GM LWB
RKFSVXLWB	Rail System	fits GM XLWB
RKFSVFD	Rail System	fits Econoline LWB
RKFSVXLFD	Rail System	fits Econoline XLWB
RK130FTS	130"WB Rail Kit,	Transit 130"WB, low roof
RK148FTS	148"WB Rail Kit	Transit 148"WB, low roof
RK130FTM	130"WB Rail Kit	Transit 130"WB, med roof
RK148FTM	148"WB Rail Kit	Transit 148"WB, med/high roof
RK148FTHE	148"WB Rail Kit	Transit 148"EXT WB, high roof
RKTC14	Short Rail Kit	fits 14-on Tr. Connect SWB, LWB
RKDTC14	Long Rail Kit	fits 14-on Tr. Connect LWB
RKLCV	Rail System	fits Nissan NV Cargo
RK67NV2-CS	Rail Kit-curb side	fits NV200 / City Express
RK67NV2-SS	Rail Kit-streetside	fits NV200 / City Express
RKNV2-CS	Rail Kit-curb side	fits NV200 / City Express
RKNV2-SS	Rail Kit-streetside	fits NV200 / City Express
RKPSWB	118"WB Rail Kit	ProMaster curb or streetside
RKPMWB	136"WB Rail Kit	ProMaster curb or streetside
RKPLWB	159"WB Rail Kit	ProMaster curb or streetside
RKPMXLWB	159"EXT WB Rail Kit	ProMaster curb or streetside
RKPMC	Short Rail Kit	fits ProMaster City
RK72PMC	Long Rail Kit	fits ProMaster City

Note: Rails are not included with the shelf units. Rail kits must be ordered separately.

Note: Shelves have the following weight ratings:

- Shelves positioned with the shelf lip facing up have a rating of 100 lbs. per shelf evenly distributed.
- Shelves positioned with the shelf lip facing down have a rating of 200 lbs. per shelf evenly distributed.



### ADSERIES ACCESSORIES

MODEL	SIZE/DESCRIPTION
DV14C1	Divider for ADseries shelf/Single
DV14C8	Divider for ADseries shelf/8 Pack
DV12	Divider for HAD top shelf/Single
DV14	Divider for HAD bottom shelf/Single
DK26TC	8"x 24" Door Kit/AD1226TC14
DK32TC	10"x 30" Door Kit/AD1232TC14
DK3008	8" High Door Kit/AD32FP/HAD3259/AD1432TC14/AD32LCV
DK3010	10" High Door Kit/AD32FP/HAD3259/AD1432TC14/AD32LCV
DK4208	8" High Door Kit/AD44FP/HAD4459/AD44LCV
DK4210	10" High Door Kit/AD50FP/HAD5059/AD50LCV
DK4808	8" High Door Kit/AD50FP/HAD5059/AD50LCV
DK4810	10" High Door Kit/AD50FP/HAD5059/AD50LCV
BRK14EPS	End Panel Bracket To Add on Accessories
RKA1	Rail Kit Adapter/See list at right
RKA3	Rail Kit Adapter3/See list at right
RKA4	Rail Kit Adapter4/See list at right
RKABRK1	Rail Kit Adapter/End Panel Bracket/See list
RKABRK2	Rail Kit Adapter/17A
RKAWTR	Rail Kit Adapter/Welded Tank Racks
RKA919	Rail Kit Adapter/#9, #19, #919 Drawer Units
35325-G	32" Long Shelf
35327-G	44" Long Shelf
35328-G	50" Long Shelf

**RKA1** – Rail Adapter Kit1  
Use with: CB2, CB3, CB4 (uses 2)

**RKA3** – Rail Adapter Kit3  
Use with: #1, #12, #2, #8, DC Units, 17A, CRH2, TA19, TA5

**RKA4** – Rail Adapter Kit4  
Use with: CL1446D/R, #40, KDRH2, KD Shelving Units, #33, #3, #33W, JD Shelving

**BRK14EPS** – ADseries end panel accessory attachment bracket.  
Use with: 17A, CB5, 43, TA19, TA20, WRH5, UH10/25/50, PA9, PA8, ACT3/4, PA11, AGSCH2, PA7, TH30, TH50, TA5

**RKABRK1** – Used with TA19, TA20, TA5

The **HAD shelving units** feature two ADseries adjustable shelves in the center of the shelf unit. These two shelves feature a 2" lip and, with only a screwdriver, can be adjusted up or down on one inch increments. Fits: RAM ProMaster, Ford Transit-Mid & High Roof



MODEL	OVERALL SIZE
HAD3259	32" x 59" x 14"
HAD4459	44" x 59" x 14"
HAD5059	50" x 59" x 14"

**HAD5059** shown with optional TA1 Hook Bar

**HD Series Shelving** for full size vans feature KD adjustable shelves. The top and bottom shelf feature a 2" lip, the center two shelves feature a 4" lip. Each shelf can be adjusted up or down on one inch increments.



**HD-28NV2**

The top and bottom shelf feature a 2" lip, the center shelf features a 4" lip. Each shelf can be adjusted up or down on one inch increments. The contoured end panels allow the shelf to sit closer to the van wall.

**DV12 Dividers** are available.

Fits City Express, NV200, RAM ProMaster City.



**HD4459** in a Mid Roof Ford Transit. Shown with accessories.



**HD4459** in a RAM ProMaster.



**HD32TC**

All shelves are adjustable on one inch increments and feature a one inch lip.

**DV12 Dividers** are available.

Fits RAM ProMaster City.

MODEL	OVERALL SIZE	DESCRIPTION
HD3259	32"W x 59"H x 14"D	Fits ProMaster, Transit Mid & High roof
HD4459	44"W x 59"H x 14"D	Fits ProMaster, Transit Mid & High roof
HD5059	50"W x 59"H x 14"D	Fits ProMaster, Transit Mid & High roof
HD32NVH	32"W x 60"H x 14"D	Fits NV Cargo High roof
HD42NVH	42"W x 60"H x 14"D	Fits NV Cargo High roof
HD52NVH	52"W x 60"H x 14"D	Fits NV Cargo High roof
HD32TC	32"W x 46"H x 12"D	fits ProMaster City
HD-28NV2	28"W x 46"H x 12"D	fits ProMaster City, City Express, NV200



## WELDED SHELVING FOR FULL SIZE VANS

The 44 Series Welded Shelving feature welded shelves, back panels and end panels. These fully welded shelf units allow for greater weight capacity and reduce cargo noise. Configure your van to your specific needs with drawer units, dividers and removable bins to customize your setup.



MODEL	DESCRIPTION
4432	Welded Cabinet - 32"W x 46"H x 14"D
4442	Welded Cabinet - 42"W x 46"H x 14"D
4450	Welded Cabinet - 50"W x 46"H x 14"D



Contoured top and bottom steel end panels maximize aisle space.

## ACCESSORIES FOR WELDED SHELVING

Upgrade the 44 Series with Dividers, DC Drawer Units, Lock & Latch drawer units, Door Kits and our popular #28 Blue Bins!



Plug & Play units – add accessories in minutes!



### ACCESSORIES

MODEL	DESCRIPTION
DV44U1	Top shelf divider (single)
DV44U4	Top shelf divider kit (4 pack)
DV44U	Top shelf divider kit (8 pack)
DV44L1	Lower shelf divider (single)
DV44L4	Lower shelf divider (4 pack)
DK532	Door kit for 44 series shelving, 4432
DK544	Door kit for 44 series shelving, 4442
DK550	Door kit for 44 series shelving, 4450
28	Plastic Blue Bin

### DRAWER COMPONENT SHELVES

- Create customized shelving modules with drawer component shelves.
- Built to bolt onto the DC6 and DC12, these shelves can provide additional storage space.
- The shelves are available in 18", 24" and 36" wide configurations.
- Feature a 1" shelf lip.

MODEL	DESCRIPTION	SHELF SIZE
SF11218DC	18" wide DC Shelf	12"D x 18"W
SF11224DC	24" wide DC Shelf	12"D x 24"W
SF11236DC	36" wide DC Shelf	12"D x 36"W



## SPECIFIC JOBS DEMAND SPECIFIC STORAGE SOLUTIONS.

Cabinet and Drawer Modules provide secure storage for large and small tools and parts. The modular design allows you to get what you need now and the ability to add more when you need it. Whatever the job demands, Adrian has the storage solutions to transport your gear safely and securely.



**Vented gas storage solutions**

### TANK CABINETS

- Provide vented storage for Propane, Mapp gas or CO2 tanks.
- Cabinets feature a full door gasket with two snap latches for positive door closure.
- Interior cabinet cradle and retaining straps (foam yokes for TA19) secure tanks and prevent movement.
- Floor vent and tubing are included for exhausting fumes.
- Propane cabinets store 20, 30 or 40 lb. tanks.
- Mapp Gas Cabinets store 6 1/2" diameter tanks.
- CO2 Tank Cabinets store 20 lb. cylinders.

MODEL	DESCRIPTION	CABINET SIZE
TA18	Propane Cabinet	14-3/4"W x 36"H x 13"D
TA19	CO2 Tank Cabinet	13"W x 32"H x 12-1/2"D
TA20	Mapp Gas Cabinet	14"W x 26"H x 8"D

### SHELF CABINETS

- Available in 12" and 18" front to rear lengths
- Can be used free standing or stacked with our lockable drawer units.
- Feature locking recessed tee-handles for secure storage and receive a durable gray powder coat finish.
- Cabinets feature an open side and can be combined for side-by-side use holding items up to 35" long.
- Optional end panel can be added to close off side when required.
- Include an adjustable shelf that can be removed
- Cabinets provide a solid surface to stack modular drawers, cabinets and bins.



**Folding T handles don't stick out into aisles.**

MODEL	DESCRIPTION	CABINET SIZE
1	Shelf Cabinet	18"W x 22"H x 18"L
12	Shelf Cabinet Open Side	18"W x 22"H x 12"L
1A	Optional Shelf	No. 1
12A	Optional End Panel	No.12

### 40 WHEEL WELL COVER CABINET

- Wheel well cover cabinets are designed with an open back and bottom.
- Serves as an enclosure for rear wheel wells.
- Provides a solid surface to stack modular drawers, cabinets and bins.
- Cabinets come with locking recessed tee-handles for secure storage.
- Finished with a durable gray powder coat finish.
- Cabinet size 42"W x 12.5"H x 14"L



### CABINET LOCKERS

- Full-door Lockers feature a 46" high storage space with 3 removable shelves.
- Short-door Lockers feature a 33" high storage area and with 2 removable shelves.
- Locker doors are reversible for flexibility and feature locked recessed T-handles for security.
- Cabinet Lockers taper from 14" to 12" from front to back in depth at top and bottom to maximize aisle space.

MODEL	DESCRIPTION	CABINET SIZE
CL1446R	Cabinet Locker Full Door	18"W x 46"H x 14"D
CL1446D	Cabinet Locker Short Door	18"W x 46"H x 14"D





2.5" deep drawers come with ABS divided and removable trays perfect for small parts.



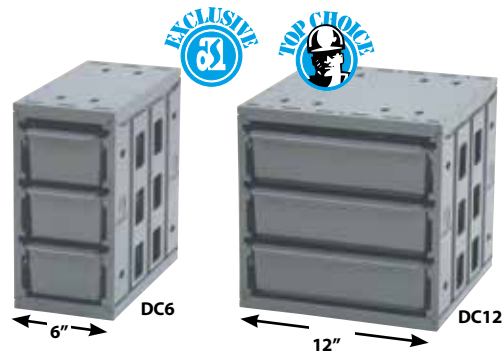
**Latched & Locked**    **Latched & Unlocked**    **Drawers Unlatched**    **Drawers Open**

### DRAWER UNITS – LOCK 'N LATCH SYSTEM

- Our exclusive Lock 'n Latch system provides a choice of drawers open, drawers retained or drawers locked position.
- Drawers are made of an engineered composite material for durability with heavy-duty drawer glides for support and smoother drawer operation.
- The new drawer glides significantly increase the ease of use when opening and closing the drawer units. They all but eliminate the rattle noise of the drawers when the driving the vehicle.
- Drawers and glides can be repositioned within cabinet for increased flexibility.
- Divide 5" deep drawers into compartments using optional metal "egg crate" dividers.

MODEL	DESCRIPTION	DRAWER SIZE (QTY.)
19	2 Drawer Medium	16"W x 5"D x 11-1/2"L (2)
919	3 Drawer Combo	16"W x 2-1/2"D x 11-1/2"L (2) 16"W x 5"D x 11-1/2"L (1)
9	4 Drawer Shallow	16"W x 2-1/2"D x 11-1/2"L (4)
27	Divider Kit	19 or 919 Drawer (1)

Steel outer cabinet measures 18"W x 12"H x 12"L.



### DRAWER COMPONENTS

- Organize small parts with our flexible and rugged composite Drawer Components.
- Drawer retention stops prevent drawers from opening while the vehicle is in transit.
- Made of a hi-impact polymer for a quiet operation.
- Each drawer comes with 2 dividers and 7 divider slots.
- Interlocking feature allows up to 2 units stacked vertically or multiple units horizontally.
- Choose from Adrian Steel's pre-configured drawer systems or create your own drawer system from the base models.

MODEL	DESCRIPTION	OVERALL SIZE
DC6	Base 3 drawer narrow model	6"W x 12"H x 12"D
DC12	Base 3 drawer wide model	12"W x 12"H x 12"D
DS06212V	Drawer System (2) DC12's	12"W x 24"H x 12"D
DS36012H	Drawer System (3) DC6's	18"W x 12"H x 12"D
DS46012	Drawer System (4) DC6's	12"W x 24"H x 12"D

5lb. weight capacity per drawer.



#2 Cabinet Size  
18"W x 24"H x 18"L

#8 Cabinet Size  
18"W x 18"H x 12"L

### DRAWER UNITS – LOCKING HINGE AND HASP

- Drawers are welded and have reinforced drawer slides for strength.
- Can be locked with a padlock (not included) for security.
- Divide drawers with optional metal "egg crate" dividers.

MODEL	DESCRIPTION	DRAWER SIZE (QTY.)
8	3 Drawer Medium	16"W x 5"D x 11-1/2"L (3)
2	4 Drawer Medium	16"W x 5"D x 17-1/2"L (4)
25	Divider Kit	No. 2 Drawer (1)
26	Divider Kit	No. 8 Drawer (1)

### TOTE TRAYS AND CASES

- Take small parts and tools right to the job site with removable tote trays and cases.
- Totes are available in both steel tray and poly case designs.
- Steel tote trays feature fold-down carry handles and four large storage compartments with adjustable dividers.
- Poly tote cases offer a see-through lid with latches to prevent spilling, four large compartments and twelve adjustable dividers.
- Trays and cases store in a 19.75"W x 20-1/8"H x 13-3/8"L modular rack that can be stacked or floor mounted.



MODEL	DESCRIPTION	TOTE STYLE (QTY.)
SPT-4	Combo Totes and Rack	Steel Trays (2) Poly Cases (2)
SPT-4P	Poly Totes and Rack	Poly Cases (4)
SPT-4S	Steel Totes and Rack	Steel Trays (4)
SPT-5	Additional Steel Tray	18.5"W x 3"D x 12.5"L
SPT-P	Additional Poly Tote	18.5"W x 3"D x 12.5"L

## STORAGE MODULES ARE USEFUL COMBINATIONS OF SHELVING AND STORAGE.

When you need a variety of parts and tools to do the job, it is essential that you have them organized and easily accessible. Offering a variety of storage and workbench combinations, Adrian Steel Modules are the key to efficiency when working out of your van.



### MD507 DRAWER RACK MODULE

#### MD507 INCLUDES:

9	Four Drawer Shallow
18	Utility Shelf
19	Two Drawer Medium
40	Wheelwell Cover Cabinet
43	Three Shelf Catalog File

42"W x 46.5"H x 14"D



### MD506 DRAWER CABINET MODULE

#### MD506 INCLUDES:

9	Four Drawer Shallow
12	Shelf Cabinet (2)
19	Two Drawer Medium
40	Wheelwell Cover Cabinet
43	Three Shelf Catalog File

42"W x 46.5"H x 14"D

### MD534 DRAWER RACK BIN MODULE

#### MD534 INCLUDES:

9	Four Drawer Shallow
12	Shelf Cabinet (2)
19	Two Drawer Medium
33WB	Shelf Rack w/Bins
40	Wheelwell Cover Cabinet
43	Three Shelf Catalog File

52"W x 46.5"H x 14"D



### MD508 WORKBENCH MODULE

#### MD508 INCLUDES:

9	Four Drawer Shallow
19	Two Drawer Medium
40	Wheelwell Cover Cabinet
54	Workbench

42"W x 26"H x 14/18"D



### MD509 WORKBENCH MODULE

#### MD509 INCLUDES:

8	Three Drawer Medium (2)
40	Wheelwell Cover Cabinet
54	Workbench
CB2	Two Book File

42"W x 31"H x 14/18"D



### WORKBENCH MODULE FOR LOW, MEDIUM & HIGH ROOF

The MD608 Workbench Module features 84" of work top surface perfect for any mobile workshop. Shown with optional 17A Catalog File and floor Rail Kit.

#### MD608 INCLUDES:

KMB36	36" Key Machine Base
54	Workbench (2)
9	Four Drawer Shallow (2)
19	Two Drawer Medium (2)
40	Wheelwell Cover Cabinet
14	Step Stool

Storage Modules are designed to fit over wheelwells of GM full size vans.

Visit [AdrianSteel.com](http://AdrianSteel.com) to see more Storage Modules.

## KEEP WORK ORDERS AND INVOICES ORGANIZED AND SECURE WITH ADRIAN'S DATA AND STORAGE FILES.



### Driver Data Files

- Designed to mount between the front seats.
- Rugged steel construction with a hinged worktop and key locking paddle handle.
- Convenient lid mounted clip holds papers in place on the writing surface.
- Includes built-in rails for hanging standard and legal size file folders.
- Data Files mount securely to the vehicle floor, and can be removed for service.



**DDF12 Driver Data File**  
12" W, 18" H, 22" D  
Fits Full-Size Vans



**CH1 Optional Cup Holder**  
Fits DDF12 and DDF7

**DDF7 Driver Data File**  
7" W, 18" H, 22" D  
Fits Full-Size Vans



### Aluminum Lock Box

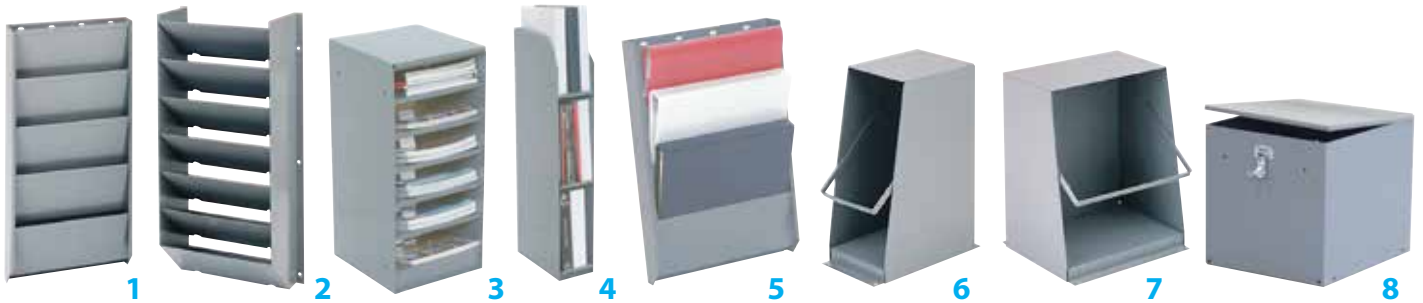
- Stores valuable tools and paperwork.
- Gas shock safely opens and closes the large lid.
- The large lock will accommodate a padlock or hockey puck style lock (not included.)
- Designed to mount on the van floor facing out the side or rear doors.
- Aluminum construction with powder coat black paint.



**LKB1 Aluminum Lock Box**  
20" W, 14.5" H, 25" D



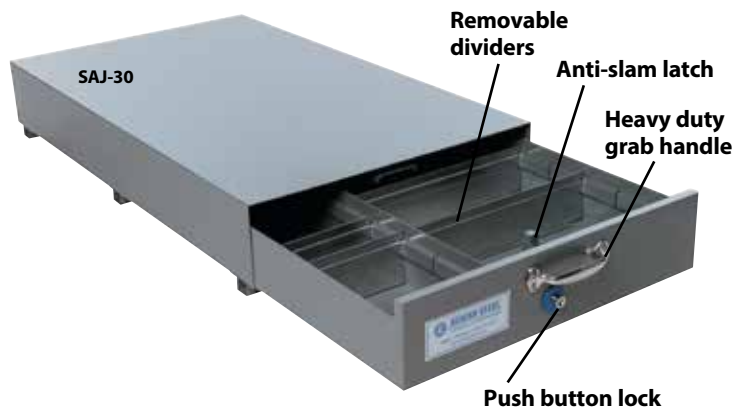
### Literature Files



- 1: CB5 Five Slot Literature Holder** Mount on partition or other vertical surface. 2-1/2" deep pockets. Overall size: 12"W, 24"H, 2-1/2"D.
- 2: CB7 Seven Slot Literature Holder** Mount on partition or other vertical surface. 6-3/4" deep pockets. Overall size: 14-3/4"W, 28-7/8"H, 7"D.
- 3: 17A Six Shelf Catalog File** Designed for catalogs but also serves to store a variety of materials between the 3" shelf spacings. Overall size: 11"W, 24"H, 12"D.
- 4: 43 Three Shelf Catalog File** Fits in narrow spaces. It has three tilted shelves. Perfect for binders and catalogs. Overall size: 6" W, 34" H, 12" D.

- 5: BH4 Four Slot Binder Holder** Designed to mount on partition or almost any vertical surface. Excellent for binders. Each pocket is 2 1/2" deep. Overall size: 12-3/4" W, 19-1/2" H, 2-1/2" D.
- 6: CB2 Two Book File** Mounts on the floor between front seats and partition. Holds folders 12"H x 10-1/2"D. Overall size: 6"W, 14"H, 12"D.
- 7: CB3 Three Book File** Mounts on cabinet tops or on the floor. Multiple units can be flush-mounted. Holds folders 12"H x 10-1/2"D. Overall size: 10-3/4"W, 14"H, 12"D.
- 8: CB4 Utility Storage Box** Stores a variety of printed material. Also suitable for keeping tools, safety glasses, gloves and other items. Hinged lid. Overall size: 12"W, 12"H, 14"D.

## ADRIAN'S STOW-ALL IS THE FINEST FLOOR STORAGE UNIT YOU CAN BUY.



- 14 Gauge steel outer cabinets are constructed with top channel cross support members for strength and rigidity.
- Drawers are constructed with double sidewalls to prevent bowing and to accommodate items up to 48" in length.
- The anti-slam latch stops drawers from completely closing without positive latch activation.
- Heavy-duty grab handle and push button lock allows for comfortable, one-handed drawer operation.
- Durable powder coat finish will provide years of rugged service.
- Easy glide drawers with full width recessed conveyor roller at front and hardened steel roller bearings at rear.
- Install at rear or side doors, and units can be stacked.



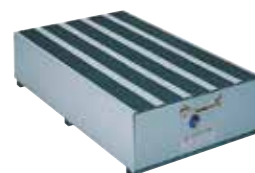
SA-10



SA-20



SA-40



### STOW-ALL DEEP SERIES

MODEL	DESCRIPTION	CABINET SIZE	DRAWER SIZE	TRACTION KIT	DIVIDER (QTY.)
SA-10	Single Wide Deep	10"W x 12"H x 51-1/2"D	9-5/8"W x 8-1/2"H x 48-1/2"D	TK10	DV9(5)
SA-20	Double Wide Deep	20"W x 12"H x 51-1/2"D	19-5/8"W x 8-1/2"H x 48-1/2"D	TK20	DV19(5)
SA-40	Full Wide Deep	40"W x 12"H x 51-1/2"D	9-5/8"W x 8-1/2"H x 48-1/2"D (2) 19-5/8"W x 8-1/2"H x 48-1/2"D	TK40	DV9(10) DV19(5)

**Traction Kits** are available to provide a positive friction surface for better footing. Traction Kits are 4" wide, self-adhesive strips.



SAJ-10



SAJ-20



SAJ-30



SAJ-40

### STOW-ALL SHALLOW SERIES

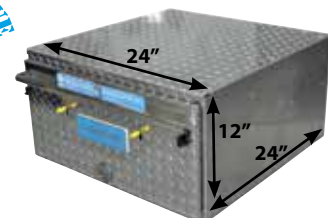
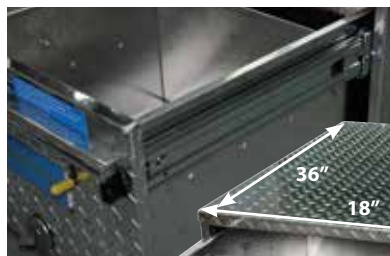
Stow-All quality in a lower profile

MODEL	DESCRIPTION	CABINET SIZE	DRAWER SIZE	TRACTION KIT	DIVIDER (QTY.)
SAJ-10	Single Wide Shallow	10"W x 8-1/2"H x 51-1/2"D	9-5/8"W x 5-1/4"H x 48-1/2"D	TK10	DVJ9(5)
SAJ-20	Double Wide Shallow	20"W x 8-1/2"H x 51-1/2"D	19-5/8"W x 5-1/4"H x 48-1/2"D	TK20	DVJ19(5)
SAJ-30	Triple Wide Shallow	30"W x 8-1/2"H x 51-1/2"D	9-5/8"W x 5-1/4"H x 48-1/2"D 19-5/8"W x 5-1/4"H x 48-1/2"D	TK30	DVJ9(5)
SAJ-40	Full Wide Shallow	40"W x 8-1/2"H x 51-1/2"D	9-5/8"W x 5-1/4"H x 48-1/2"D (2)	TK40	DVJ9(10)

**Additional Dividers** are available and are sold individually.

## ALUMINUM FLOOR DRAWERS

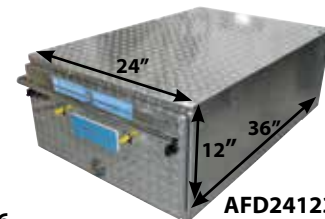
- Adrian Steel exclusive Anti-Slam latch keeps drawer from closing without positive latch activation. The only aluminum drawer in the industry with this feature!
- An automotive grade lock keeps expensive cargo secure and the adjustable divider helps keep contents segmented.
- The integral latch keeps the drawer open when you are on an incline and closed when you're done!
- Heavy duty grab handles and ball bearing slides allow the drawer to open and close with ease.
- Can be stacked to utilize large cubic storage areas.
- 24" deep units have a weight capacity of 350 lbs. and the 36" deep have a 325 lb. weight capacity.



**AFD241224**  
weight 46lbs.



**AFD181236**  
weight 52lbs.



**AFD241236**  
weight 60lbs.

## ADRIAN'S BLUE BIN SYSTEM IS PERFECT FOR VISUAL INVENTORY MANAGEMENT.

- 6" and 12" bins maximize the ADseries shelf space.
- The innovative rail system locks the bins in place on the shelf.
- The bins can nest on top of each other when at the job site or in the warehouse getting filled to go.
- Add a label to the front so you can find parts quickly
- Each bin can accommodate one optional divider.

**Order our predefined bin systems or create your own configuration of bins. Please note that the bins and the rail are a system. To obtain all the features listed above, both must be ordered.**



SBIN120614



SBIN060614



BR36212 Bin System on an AD44FP ADseries shelf unit.



Bins lock into place along the rail for secure transport.

MODEL	DESCRIPTION
SBIN060614	6" Blue Bin
SBIN120614	12" Blue Bin
SBINDIV	Divider
BR36212	Bin System: 3-6" & 2-12" bins w/rail
BR76012	Bin System: 7-6" bins with rail
SRAILAD26	26" Retention rail
SRAILAD32	23" Retention rail
SRAILAD44	44" Retention rail
SRAILAD50	50" Retention rail

## PROTECT YOUR VAN AND CARGO WITH ADRIAN STEEL FLOOR MATS.



Commercial grade

Reduce floor wear, cargo shift and interior noise.

**Floor Mats** are die-cut for wheelwells and meet flammability test MVSS 302. Made of 3/16" rubber, diamond corrugated pattern. Side stepwell and seat pedestals require some trimming.

- 88-2** GM & Ford Full Size LWB Vans
- 88-9** GM Full Size XLWB Vans
- 88-12** Ford Econoline Full Size XLWB
- 88-118PM** Promaster Workmat Kit 118"
- 88-136PM** Promaster Workmat Kit 136"
- 88-159PM** Promaster Workmat Kit 159"
- 88-159EXPM** Promaster Workmat Kit 159" EXT WB

## SAFELY TRANSPORT REFRIGERANT TANKS IN AN ADRIAN STEEL TANK RACK.



WTR430

WTR230150

WTR130250

WTR350

Vertically carry 30-lb. and 50-lb. refrigerant tanks securely in your van. Tank Racks can be installed for easy access from the side or rear van doors. Racks feature 14-gauge tubular steel frames welded for strength with sloped cradles and nylon straps. The optional **WTRTRAY** provides a storage area mounted on top of the welded tank racks.\* The tray can be mounted to any size tubular tank rack.

MODEL	DESCRIPTION
WTR130250	(1) 30 lb & (2) 50 lb tanks
WTR230150	(2) 30 lb & (1) 50 lb tanks
WTR330	(3) 30 lb tanks
WTR350	(3) 50 lb tanks
WTR430	(4) 30 lb tanks
WTRTRAY	Top Tray



\*Please confirm the location of the tank rack and tray, some interior locations will not accommodate the tray due to the contour of the vehicle.



1



2



3



4



5



6

**1: DST21 Door Storage Tray** offers convenient access to parts and tools.

Overall size: 20" W, 4" D, 8" H

**2: Aerosol Can Tray** secure cans for easy access.

**ACT3** - 3 Can Tray Overall size: 11-3/4" W, 4" D, 6-3/4" H

**ACT4** - 4 Can Tray Overall size: 15-7/16" W, 4" D, 6-3/4" H

**3: 14 Step Stool** has a wide base and is 12" high. Stool can be used with a workbench or as an auxiliary step. Top measures 10" x 20" One size.

**4: TA2 Hard Hat Holder** secures hat to partition or shelving.

**5: VMA36 Vise Mount Assembly** is floor mounted and telescopes out beyond side or rear cargo doors when fully opened. Measures 36" closed and 60" open.

**6: Touch-Up Paint** in spray cans match Steel-Cote™ finish. Three colors:

**STP12G** - Gray **STP12W** - White **STP12B** - Black

**7: Door Tray** comes with two dividers and has optional lid for containment.

**DT21** - Door Tray Overall size: 18" W, 4" D, 4" H

**DTL21** - Door Tray Lid for DT21 only

**DTWL21** - Door Tray with Lid Overall size: 20" W, 4" D, 4" H

**8: Hooks** organize a variety of cargo in easy-to-access locations.

**UH10** - 1" hook

**UH25** - 2.5" hook

**UH50** - 5" hook

**TA1** - Four hook bar

**9: Parts Tray** features a 2" deep shelf lip. Can be mounted to cabinet and drawer modules for added top storage.

**4A** - Parts Tray Overall size: 36" W, 12" D, 2" H

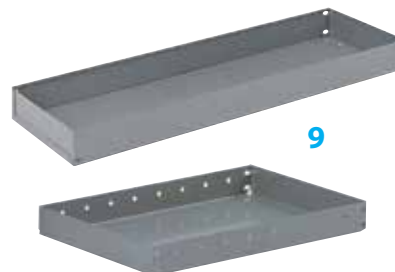
**4B** - Parts Tray Overall size: 18" W, 12" D, 2" H



Storage for small parts 7



8



9

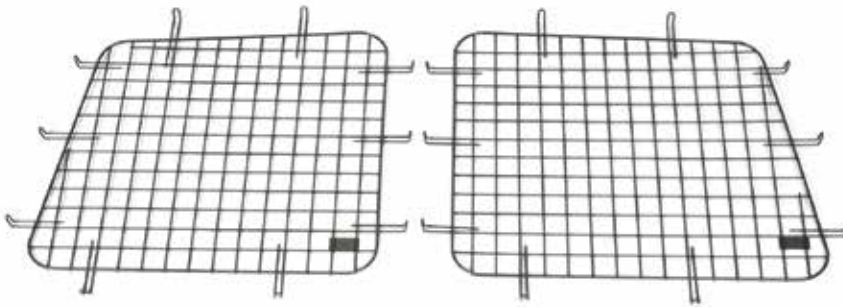


## REEL HOLDERS



- 1: CRH2 Cable Reel Holder** features a durable frame, two steel shafts that holds up to a 15-1/2" diameter reel by 14" wide. Overall size: 19-1/8" W, 16" D, 44-7/8" H
- 2: KDRH2 Cable Reel Holder** holds large spools up to 16" wide and 18" in diameter. Spools nest on conveyor rollers. Includes tie-down chains with neoprene covers. Overall size: 18" W, 46" H, 18" D
- 3: WRH5 Wire Reel Holder** Five removable bars hold wire spools up to 6" in diameter. Reel Holder mounts to shelf ends or any vertical surface. Overall size: 12" W, 25" H, 4" D
- 4: End Panel Reel Holder Bar** mounts between **ADseries** shelf end panels for easy access to spools of cable and wire.
  - KDRH1426** - fits 26" shelf
  - KDRH1432** - fits 32" shelf
  - KDRH1444** - fits 44" shelf
  - KDRH1450** - fits 50" shelf

## WIRE WINDOW SCREENS



- 60-25 & 60-26** GM Full Size Van Curb Sliding Door
- 60-21 & 60-22** GM Full Size Van Curb Hinged Door
- 60-23 & 60-24** GM Full Size Van Rear Hinged Door
- 60-14** Ford Econoline Curb Sliding Door
- 60-15 & 60-16** Ford Econoline Curb Hinged Door
- 60-17 & 60-18** Ford Econoline Rear Hinged Door
- 60-NRD** Nissan NV Cargo Rear Door Kit
- 60-NSDRD** Nissan NV Cargo Side & Rear Door Kit
- 60-NV2** NV200/City Express Rear Door Kit
- 60-120** NV200/City Express Streetside Rear Door
- 60-121** NV200/City Express Curbside Rear Door
- 60-PM-MLXW** ProMaster LWB curbside sliding door and rear door Window Screen Kit.

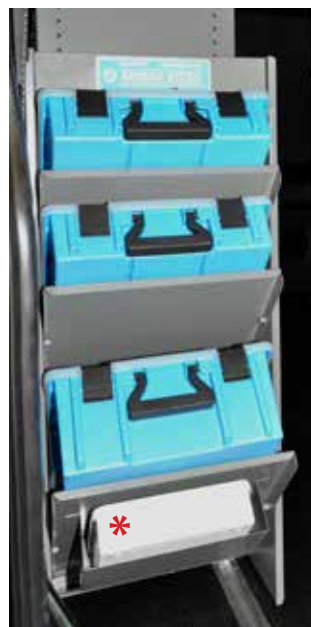
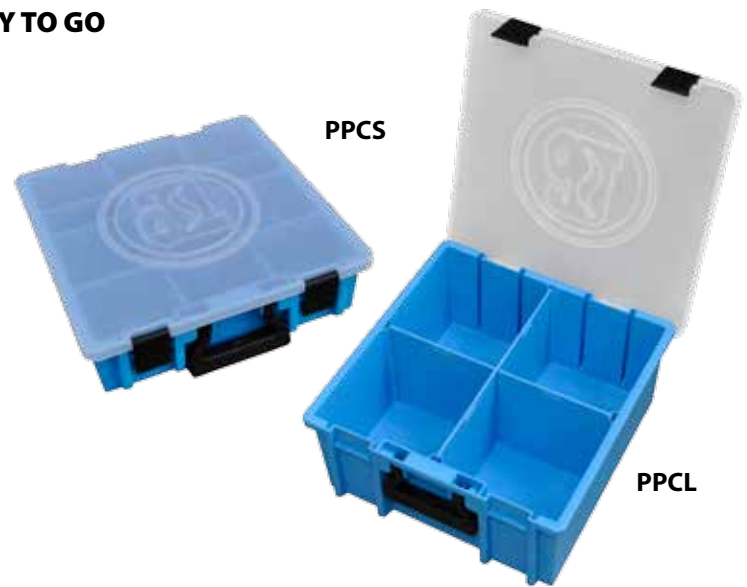
- 60-PM-SWB** ProMaster SWB curbside sliding door and rear door Window Screen Kit.
- 60-PMCRD** ProMaster City Rear Door Screen (2)
- 60-PMCSL** ProMaster City Sliding Side Door Screen (2)
- 60-TRMHRDR** Transit Med/High Roof, Rear Doors
- 60-TRLRDR** Transit Low Roof, Rear Doors
- 60-TRMHSDR** Transit Med/High Roof, Sliding Side Door & Rear Door Kit
- 60-TRLHSDR** Transit Low Roof Hinged Side Doors & Rear Doors Kit
- 60-TRLSDR** Transit Low Roof Sliding Side Door & Rear Doors Kit
- 60-TC14RB** Transit Connect Rear Window Screen Kit (fits LWB and SWB)
- 60-TCS14S** Transit Connect SWB Side Window Screen Kit
- 60-TCL14S** Transit Connect LWB Side Window Screen Kit

**BE MORE EFFICIENT WITH INVENTORY THAT IS READY TO GO WHEN AND WHERE YOU ARE.**

Versatile, lightweight, durable, convenient and mobile - these **Portable Parts Cases** are perfect for the tech who needs to carry small parts and inventory to the jobsite.

The impact resistant body can be organized with the included adjustable dividers. The see-through lids with snap latches make identifying contents easy.

**PPCS** 14" x 14" x 3.75"  
**PPCL** 14" x 14" x 6.25"



**CH-EP**  
 15.5" x 11.25" x 37.5"  
 \* FIRST AID KIT NOT INCLUDED



**CHPPC5SM**  
 19.5" x 14" x 35"



Add a single **CH1514SGL 18" x 14" x 12"** or double **CH-1514DBL 15" x 14" x 12"** **Case Holder** to an existing shelf to house included cases that stay put while in transport.

**INCORPORATE THE PORTABLE PARTS CASES INTO YOUR VAN WITH THE STORAGE OPTION THAT FITS YOUR NEED.**

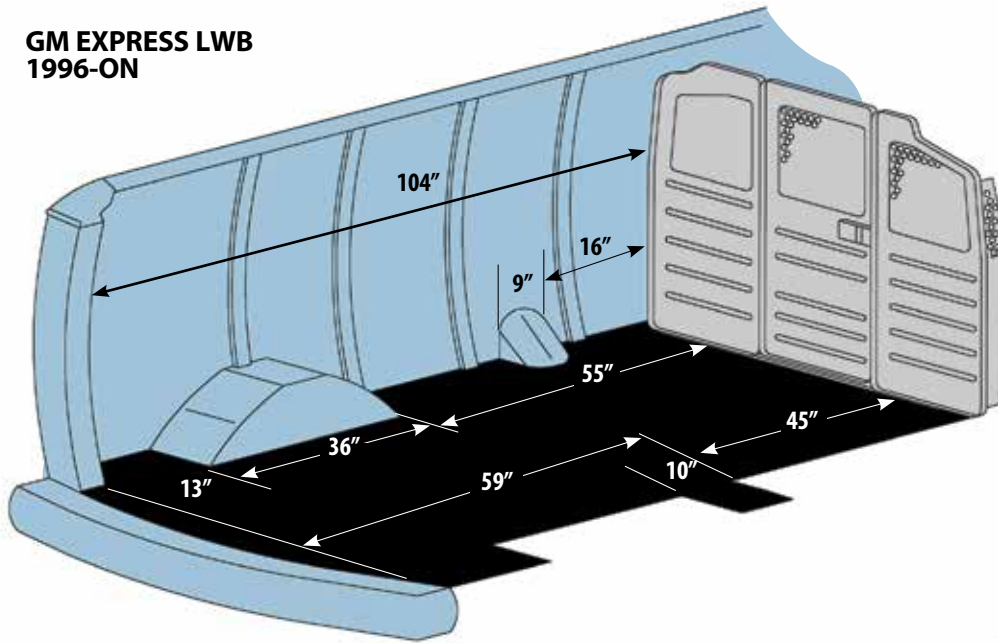
Three different **Case Holder** options give you the ability to house multiple Portable Parts Cases near the vehicle door for easy access to grab-and-go. The **CH-EP** and **CHPPC5SM** include a tray that holds an optional first aid kit and feature slanted shelves.

The **CHPPC4S** includes four PPCS cases and each shelf has a retaining lip to keep cases in place.



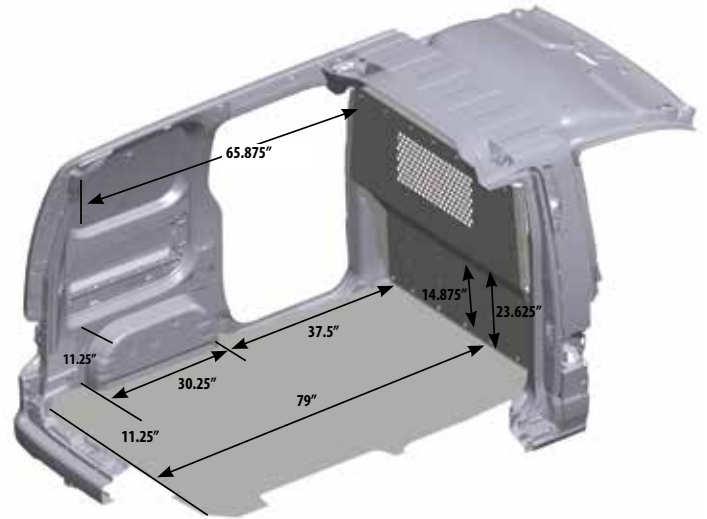
**CHPPC4S**  
 14.5" x 11.5" x 18"

## GM EXPRESS LWB 1996-ON

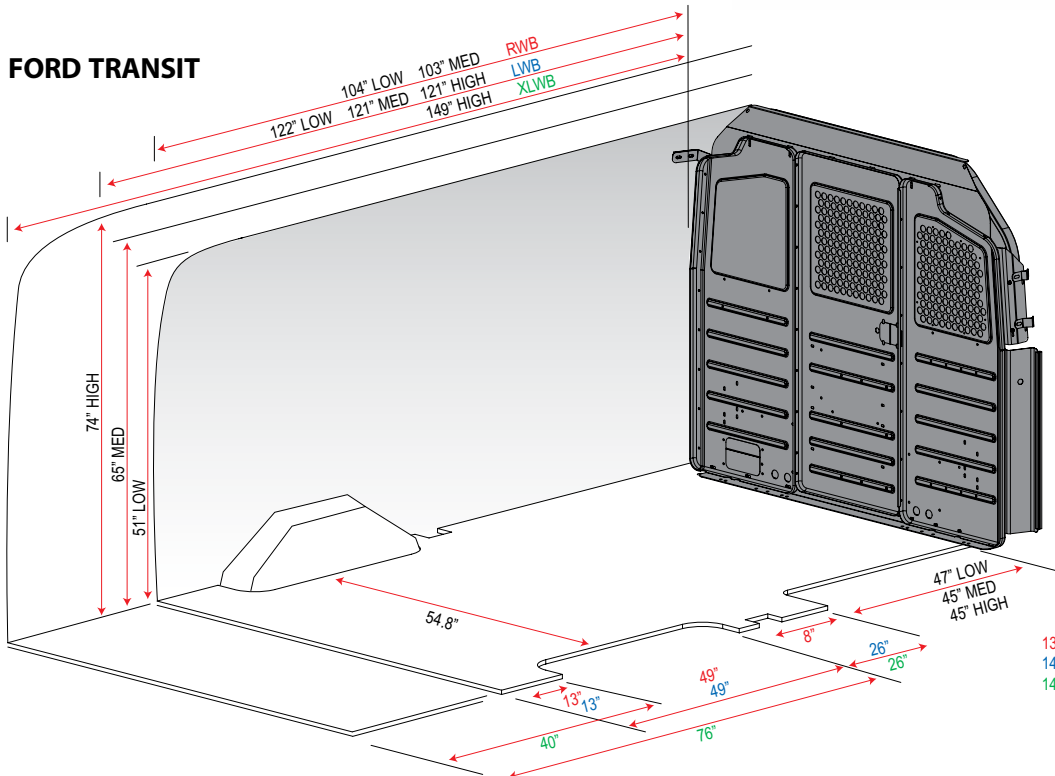


**MORE VEHICLE  
DIMENSION  
DRAWINGS  
STARTING ON  
PAGE 73.**

## NV200 & CITY EXPRESS WITH STEEL PARTITION



## FORD TRANSIT



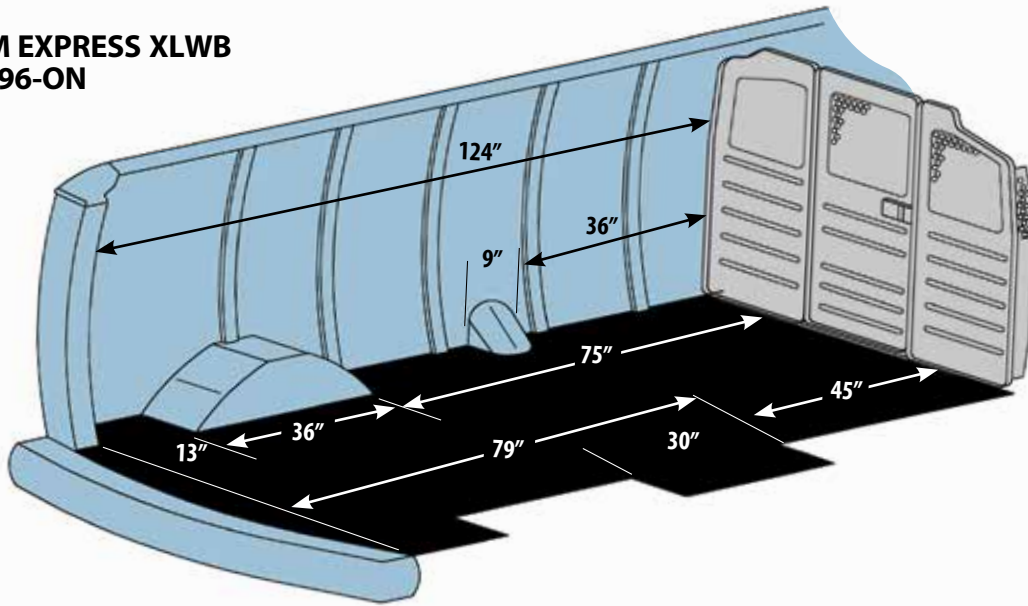
All illustrations, photos and specifications in this publication are based on the latest product information available at the time of content approval.

The right is reserved to make changes at any time, without notice, in materials, specifications and models, and also to discontinue models.

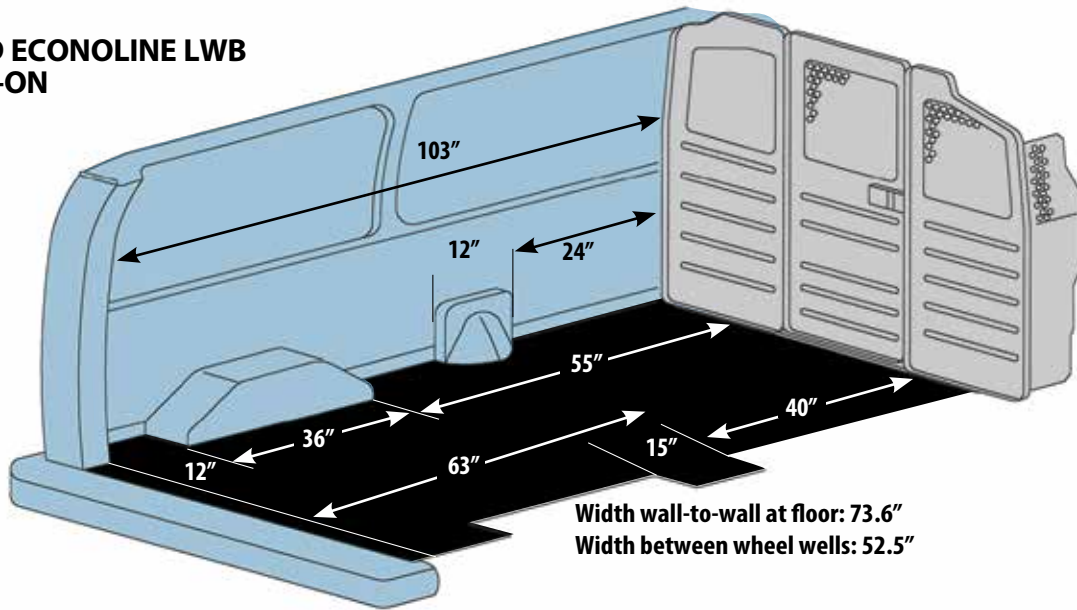
Note: Dimensions for reference only. Measure your van or contact your distributor for your exact needs.

130" RWB  
148" LWB  
148" XLWB

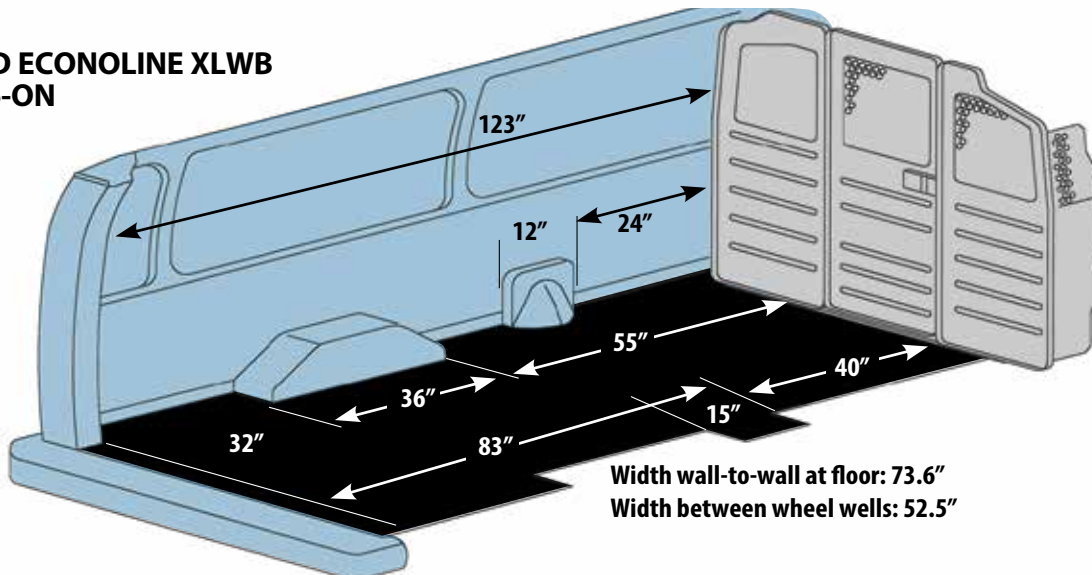
**GM EXPRESS XLWB  
1996-ON**



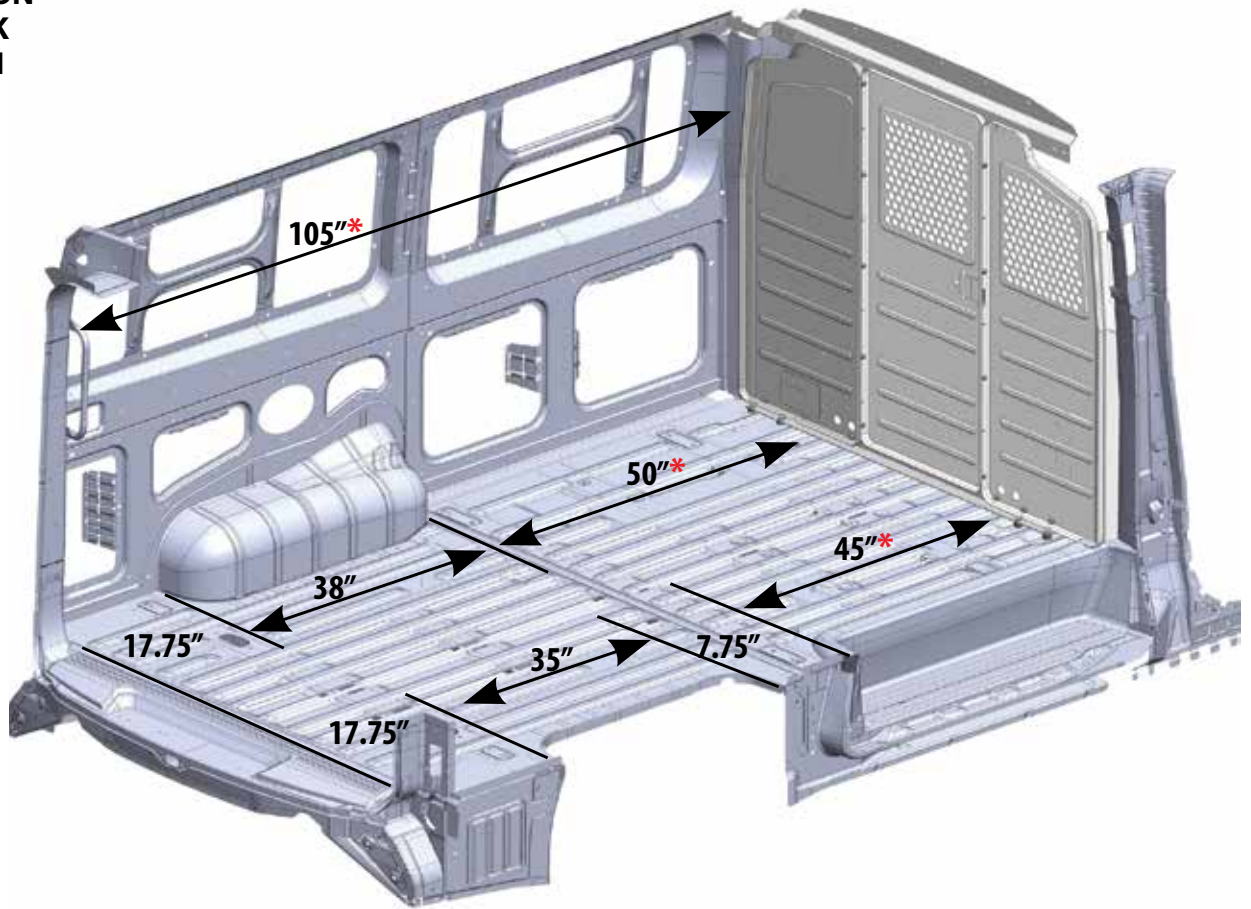
**FORD ECONOLINE LWB  
1996-ON**



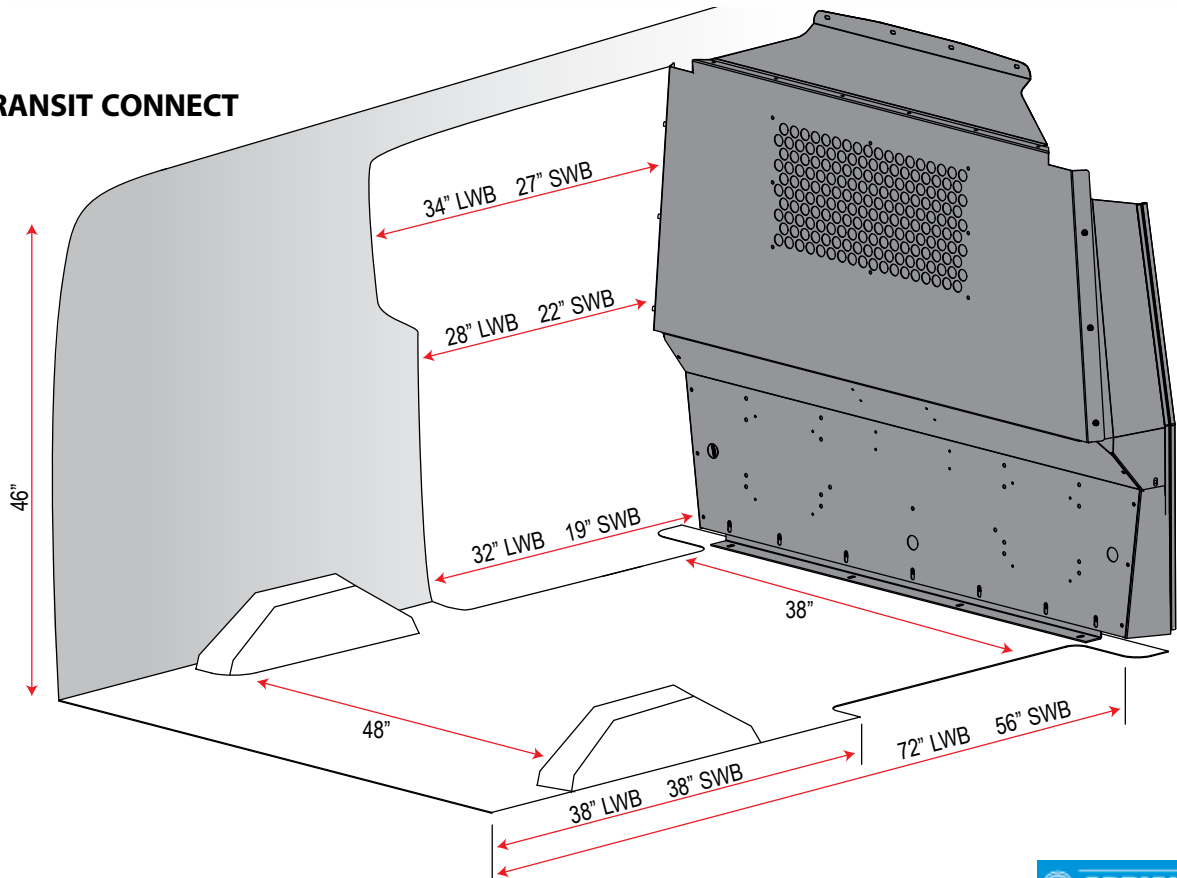
**FORD ECONOLINE XLWB  
1996-ON**



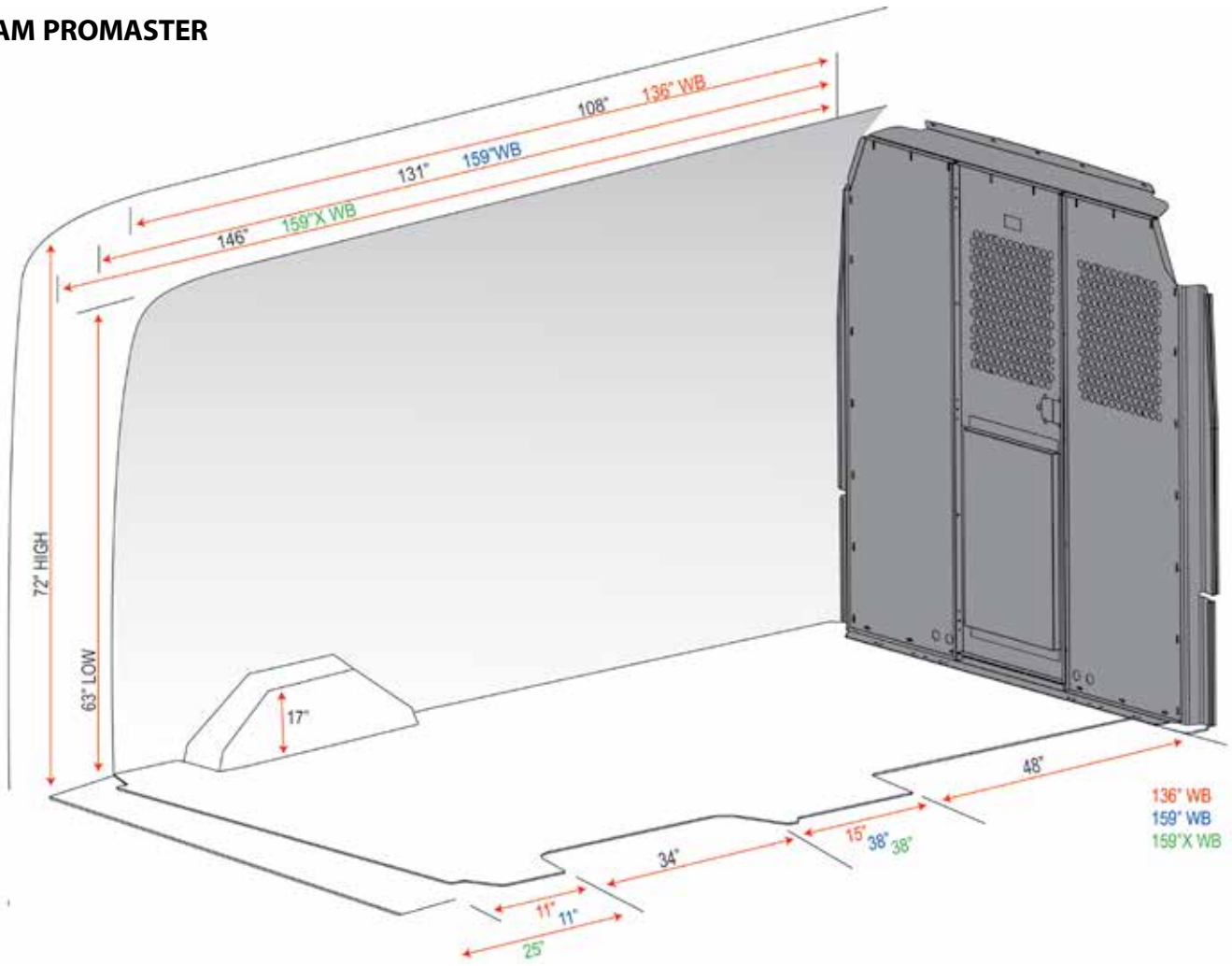
**NV CARGO WITH STANDARD  
PARTITION  
SETBACK  
2011-ON**



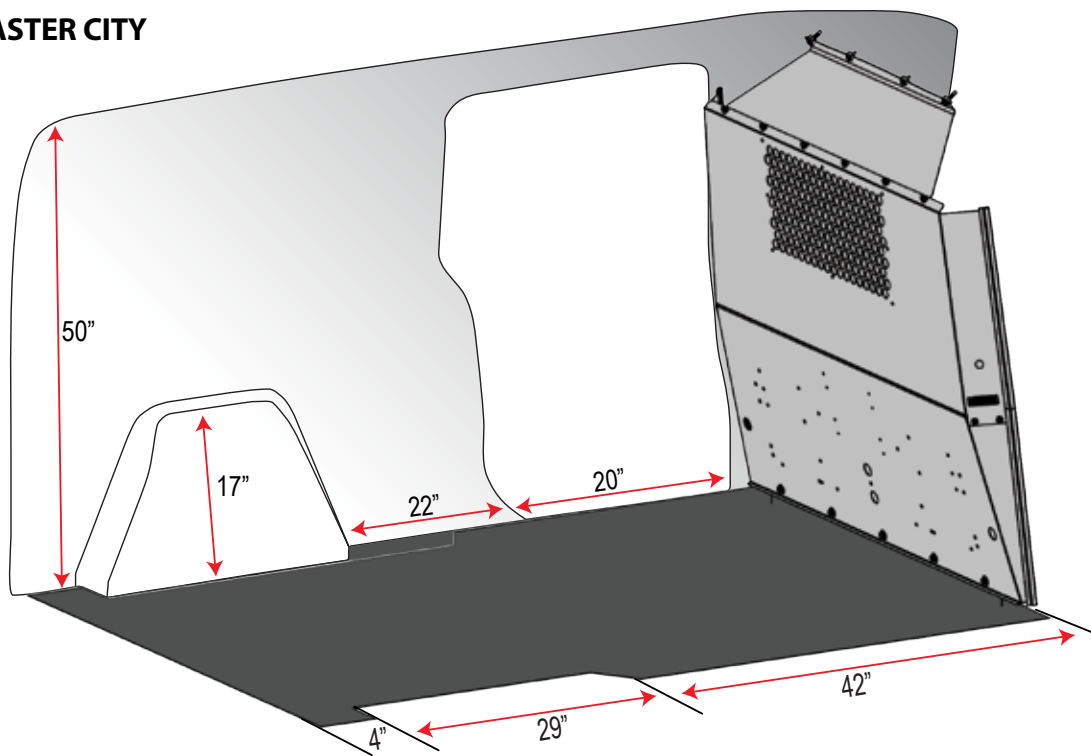
**FORD TRANSIT CONNECT**



## RAM PROMASTER



## RAM PROMASTER CITY





# ADRIAN STEEL COMPANY



## QUALITY

- Our products are durable and reliable. Warranty claims are less than 1% of sales.
- Our warranty covers our products for three years or 36,000 miles.

## INNOVATIVE PRODUCTS WITH FEATURES THAT MATTER

- Drawers that stay closed while in transit.
- ADseries truly adjustable shelving platform.
- LoadsRite and EZ Load ladder racks that load and unload the safe and right way.
- Interior ladder storage.
- Plug and Play accessories.
- Anti-slam drawer latches, and much more!

## COMMITMENT

At Adrian Steel, we are committed to you beyond the upfit!

- A dedicated Customer Care Team at corporate headquarters.
- A network of highly qualified distributors to support you locally.
- Our commitment to provide the best cargo management solutions in North America.

## EXPERIENCE

- **Over One Million vans upfitted**, and counting! It's a fact that an organized vehicle increases work flow efficiencies and reduces inventory damages.
- Recognized as a National Truck Equipment Association MVP.



## SERVICE

- Adrian Steel Products can be purchased throughout North America at authorized Adrian Steel distributors.
- Adrian Steel Customer Service Representatives are available M-F, 8am - 5pm EST at **1-800-677-2726**.
- E-mail us at [info@adriansteel.com](mailto:info@adriansteel.com) with questions, comments and feedback.
- Visit [AdrianSteel.com](http://AdrianSteel.com) for the most up-to-date product information, distributor locator, product catalogs, videos and more.

## PROUDLY DISTRIBUTED BY:



906 James Street  
Adrian, Michigan 49221-3996  
517-265-6194 Fax: 517-265-5834  
Toll Free **800-677-2726**  
[adriansteel.com](http://adriansteel.com) [info@adriansteel.com](mailto:info@adriansteel.com)